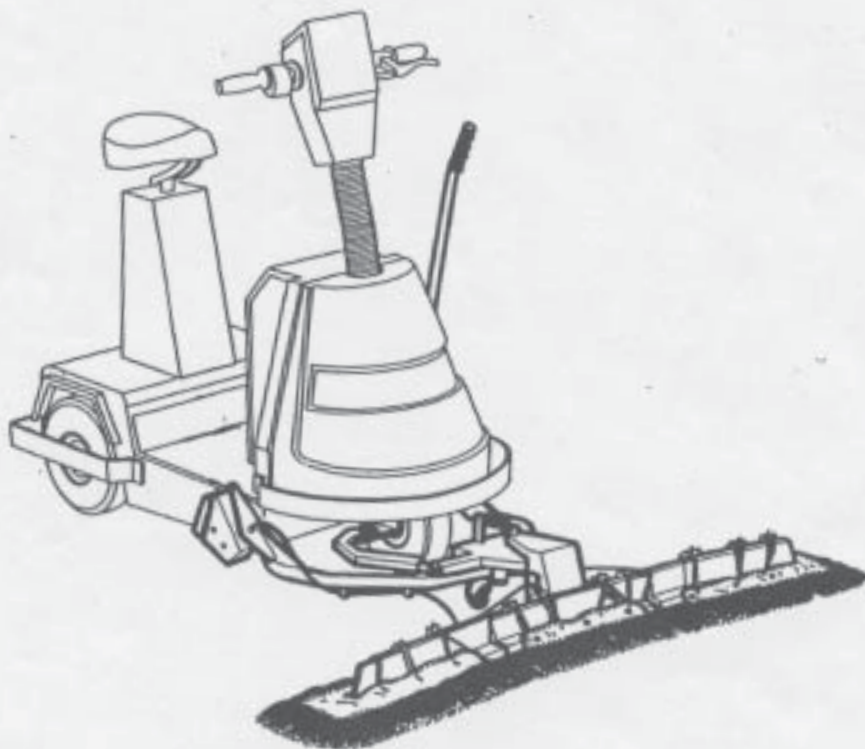


**SPARE PARTS LIST
LISTE PIECES DETACHEES
ERSATZTEILLISTE
MANUAL DE REPUESTOS
DISTINTA RICAMBI**



mod. MOP 130

KIT SY 2 - 24 - SY 2 - 25

OPTIONAL ACCESSORIES
ACCESSOIRES OPTIONNELS
SONDERZUBERHÖRTEILE
ACCESORIOS OPCIONAL
ACCESSORI OPTIONAL



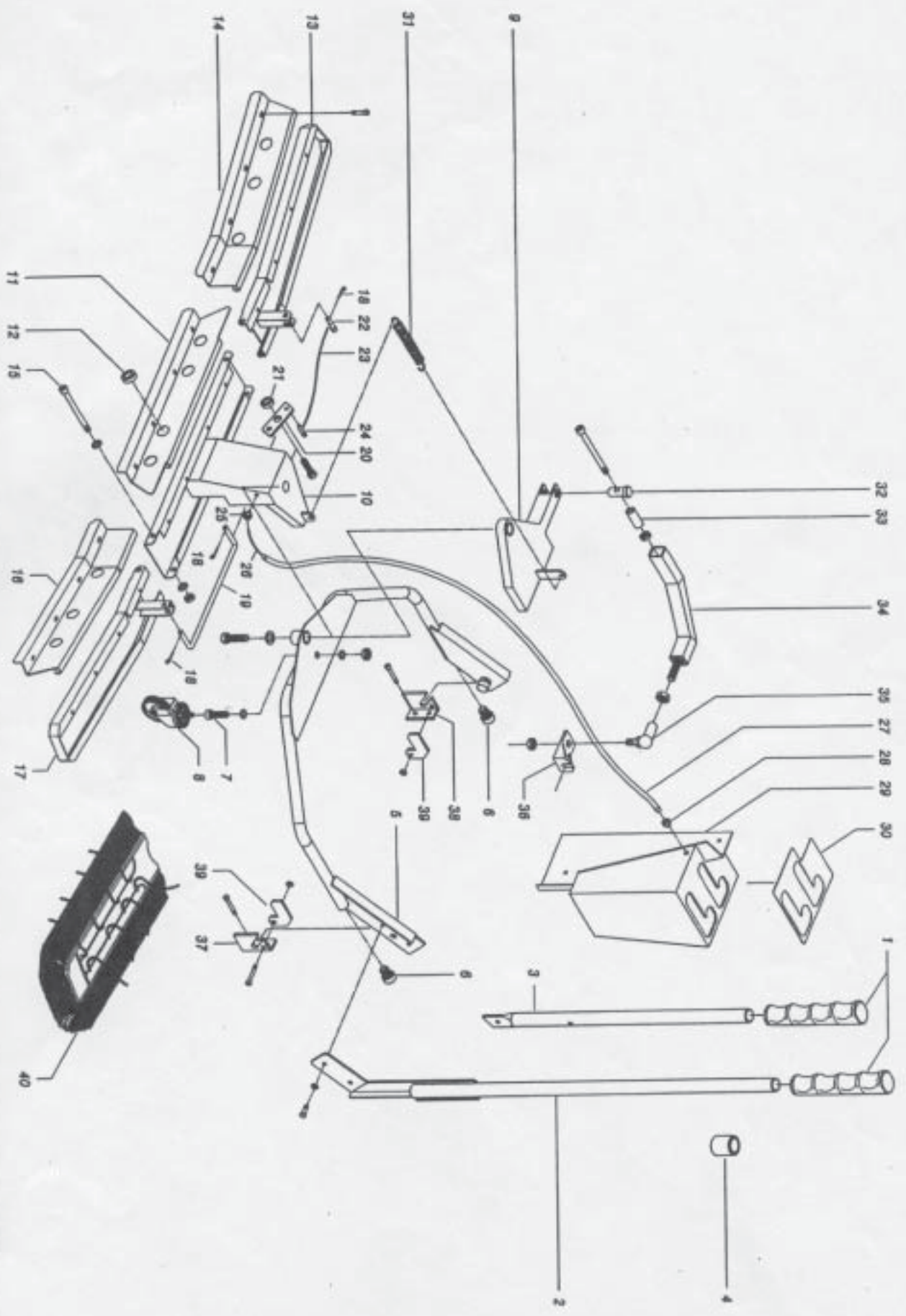
 **portotecnica**

TABLE N° :
07 01996 000

DESCRIPTION :
KIT SY 2-24 M.MOP 130 T.25

EXPLODED VIEW

DATE :
29.11.00



07 01996 000

KIT SY 2-24 MOD.MOP 130 T.250

SPARE PARTS LIST

DATE :
29.11.00

REF. CODE KIT	QTY	DESCRIPTION	DENOMINATION	BESCHREIBUNG	DESCRIPCION	DESCRIZIONE	TECHNICAL FEATURES	NOTES
1 30217	2	KNOB	POIGNEE	VERSTELLGRIF	MANOPLA	MANOPOLA	D. 20 L=115 MOP	
2 42960	1	CONTROL LEVER	LEVIER CONTROL	STEUERUNG HEBEL	PALANCA MANDO	LEVA COMANDO	MOP 130 ZV.	
3 42976	1	LEVER	LEVIER	HEBEL	PALANCA	LEVA	M.MOP 130 ZV.	
4 43429	2	BUSHING	DOUILLE	BUCHE	MANGUITO	BOCOCCA	D. 20X22X30 A.LUB. IGL.G	
5 42963	1	TUBULAR FRAME	CHASSIS TUBOL.	ROHRGEB. FAHRG.	CEASIS TUBULAR	TELAIO TUBOLARE	MOP 130 ZV.	
6 03082	2	PROD	EMBOUT	SPITZE	PUNTA	PUNTALE	D.20 L.02.117	
7 30550	1	EXTENSION	BALLONGE	VERLÄNGERUNG	PROLONGACION	PROLUNGA	M10-M 8 MOP 130	
8 30144	1	TURNING WHEEL	ROUE PIVOTTANTE	DREHBADES RAD	RUEDA	RUOTA PIVOTTAN.	D. 50 M 8	
9 34142	1	PLATE	PLAQUE	PLATTE	SOPORTE	PIASTRA	MOP 130	
10 42969	1	SLIDE	FATIN	GLEITFUHRUNG	FATIN	PATTINO	MOP 130 ZV.CT	
11 30155	1	SUPPORT PLATE	PLAQUE SUPPORT	PLATTE HALTER	SOPORTE	PIASTRA SUPP.	MOP 130	
12 00248	10	FAIR-LEAD	PASSAGE P. FIL	DRAHTGURCHEN	PASEILO	PASSAFILO	D.15-22	
13 42982	1	SLIDE	FATIN	GLEITFUHRUNG	FATIN	PATTINO	MOP 130 DE ZV.	
14 30161	1	SUPPORT PLATE	PLAQUE SUPPORT	PLATTE HALTER	SOPORTE	PIASTRA SUPP.	MOP 130 DE	
15 30219	2	SCREW	VIS	SCHRAUBE	TORNILLO	VITE	TCEI M 6X110 UNI 5931	
16 30163	1	SUPPORT PLATE	PLAQUE SUPPORT	PLATTE HALTER	SOPORTE	PIASTRA SUPP.	MOP 130 SX	
17 30159	1	SLIDE	FATIN	GLEITFUHRUNG	FATIN	PATTINO	MOP 130 SX	
18 13514	3	SPLIT PIN	GOUPILE	SPLINT	CLAVETA	COPIGLIA	D. 2X20 UNI 1336	
19 42972	1	CONTROL ROD	TIGE D.CONTROLE	KONTROL. STANGE	VARILLA D.CONT.	ASTA COMANDO	M.MOP 130 ZV.	
20 42974	1	LEVER	LEVIER	HEBEL	PALANCA	LEVA	M.MOP 130 ZV.	
21 42957	1	SPACER	ENTRETOISE	DISTANZSTÜCK	SEPARADOR	DISTANZIALE	D. 9-12 L= 4.5 INX	
22 30221	1	PLUG	GOUPILE	STIFT	PASADOR	SPINA	MOP 130	
23 43035	1	CORD	CORDE	KLEINB.	CUERDA	CORDA	D.2,5 X 240	
24 13590	2	CLAMP	BORNE	KLEBNE	PRES. SUJECION	MORSETTO	V7 8X11 M5 LOGY 700	
25 28891	1	SOLID BOX	FOURSEAU	HULSE	BRUJULA	BUSSOLA	D. 9,7X15 - D.5F D.3	
26 30148	1	CORD	CORDE	KLEINB.	CUERDA	CORDA	D. 2.5 L=1360	
27 30147	1	SHOATH	GAINE	MANTEL	VALINA	GUAINA	3,5X8 L.1050 MOP 130	
28 30150	1	REGISTER	REGLEUR	KLAPPE	REGISTRO	REGISTRO	CH.12X 8MAX35 D.5	
29 42988	1	CONTROL COVER	PROTEC.CONTROLE	STEUERUNGSSCH.ck.	TAPA MANDOS	SCATOLA COPRIC.	MOP 130 ZV.	
30 43165	1	LABEL	ETICHETTE	ETICHETTE	ETIQUETA	ETICHETTA	MOP II T.250 PVC R	
31 30145	1	SPRING	RESSORT	FEDER	MUELLE	MOLLA	D. 20.5 X85- X2.5 MOP	
32 34140	1	PIN	PIVOT	TAPPEN	PERNO	PERNO	MOP 130	

TABLE N° :
07 01996 000DESCRIPTION :
KIT SY 2-24 MOD.MOP 130 T.250

SPARE PARTS LIST

DATE :
29.11.00

REF. CODE KIT	QTY	DESCRIPTION	DENOMINATION	BESCHREIBUNG	DESCRIPCION	DESCRIZIONE	TECHNICAL FEATURES	NOTES
33 34138	1	SPACER	ENTRETOISE	DISTANZSTÜCK	SEPARADOR	DISTANZIALE	D. 10-12 L= 31 INX	
34 34137	1	LEVER ARM	LEVIER	ARM	BRASO	BRACCETTO	MOP 130	
35 34040	1	ARTICULATION	JOINT A ROTULES	GELINK	SNODO	SNODO	AS MS	
36 34135	1	BRACKET	ETRIER	BOGEL	GRAPA	STAFFA	MOP 130	
37 30133	1	PLATE	PLAQUETTE	PLATTCHEN	SOPORTITO	PIASTRINA	MOP 130 SX	
38 30131	1	PLATE	PLAQUETTE	PLATTCHEN	SOPORTITO	PIASTRINA	MOP 130 DX	
39 30135	2	HOOK	CHOCHET	HAKEN	GANCIO	GANCIO	MOP 130	
40 30048	1	MOP	MOP	MOP	MOP	MOP	130 Ca	

TABLE N°:

07 01997 000

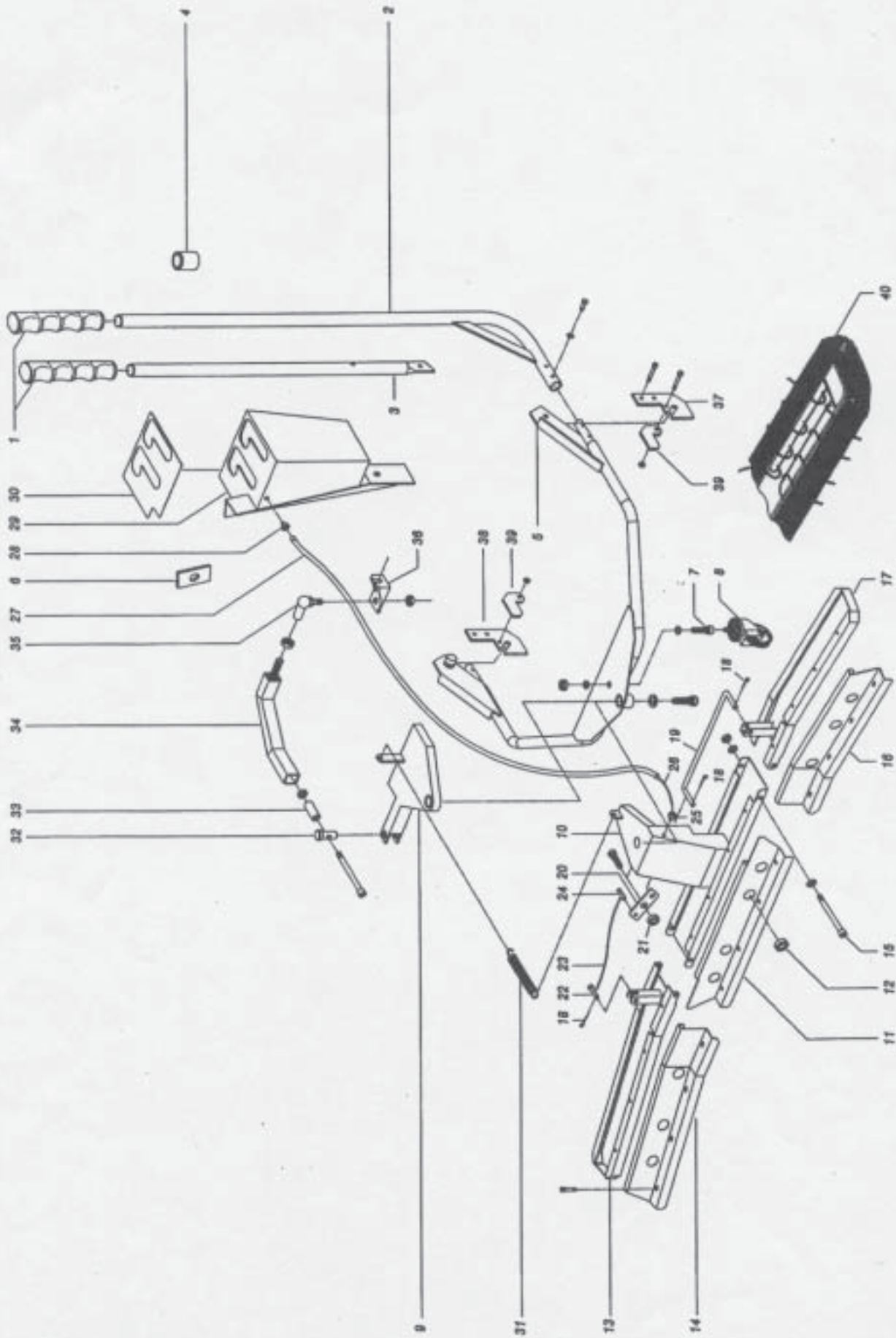
DESCRIPTION :

KIT SY 2-25 M.MOP 130 T.50

EXPLODED VIEW

DATE :

29.11.00



KIT SY 2 - 10

ISTRUZIONI PER MONTAGGIO - ASSEMBLY INSTRUCTION

