

Eagle Power™

Products Group



L17

LOW SPEED

FLOOR

MACHINE

ENTER 

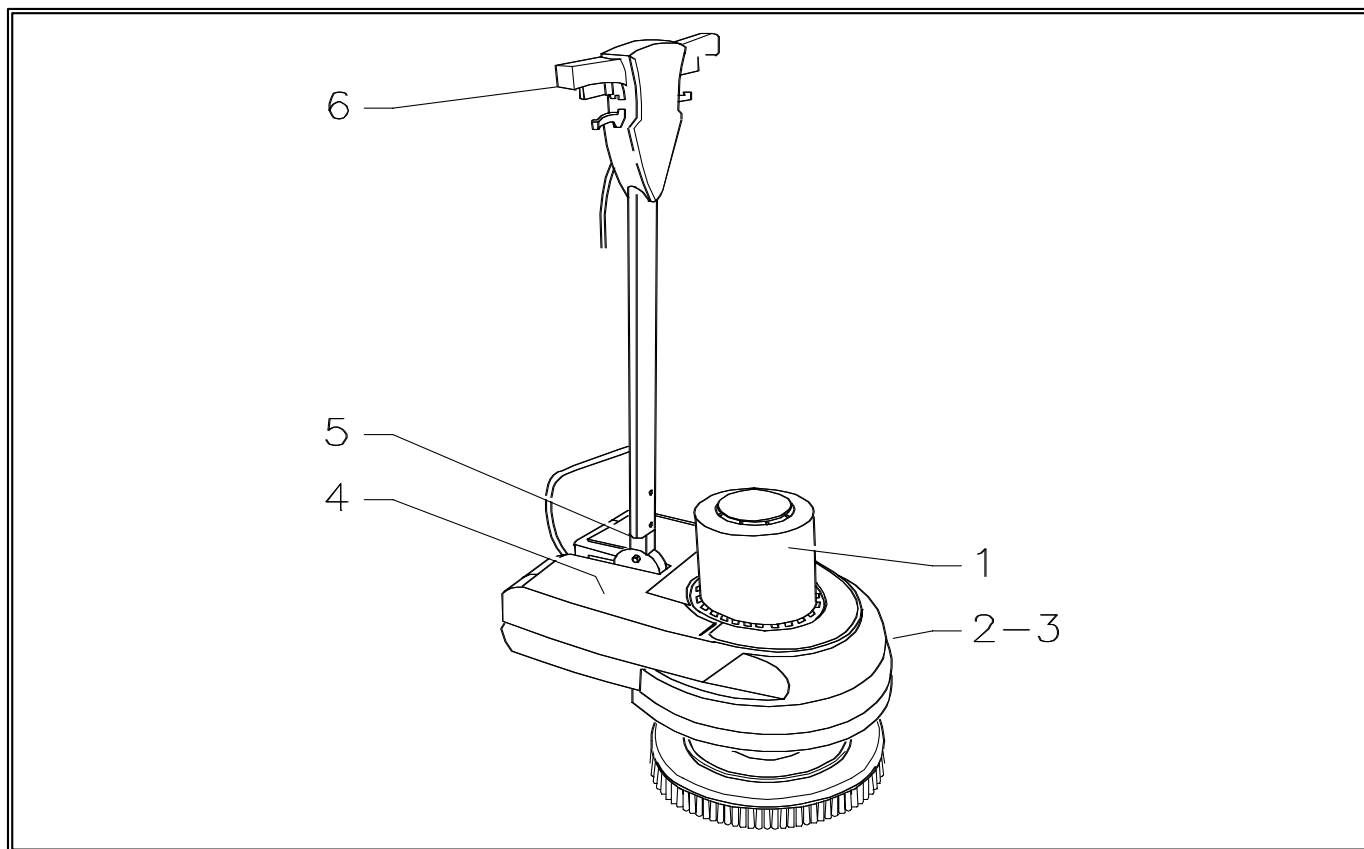
PARTS MANUAL



Click on icon to return to this page.

← Back 1 page

L17 LOW SPEED FLOOR MACHINE CODE: PF00300U ac SN from 01B000

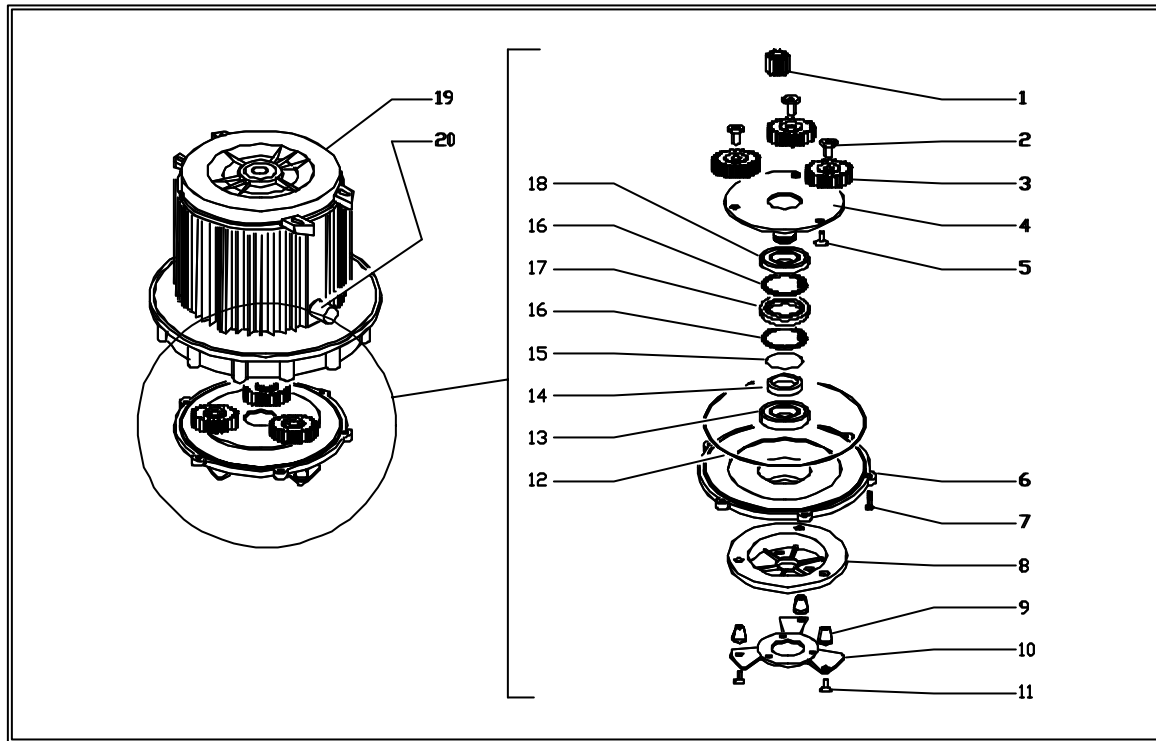


REF.	CODE	DESCRIPTION
1	PL1307	GEARMOTOR
2	PL1358	MACHINE BODY
3	PL1304F	EXTERNAL PARTS
4	PL1308	ELECTRIC SYSTEM
5	PL1292	ARTICULATION
6	PL1293	HANDGRIP
	WD27049	WIRING DIAGRAM
	WD27049-1	WIRING DIAGRAM



← Back 1 page

L17 LOW SPEED FLOOR MACHINE CODE: pl1307 ab SN from 98C738



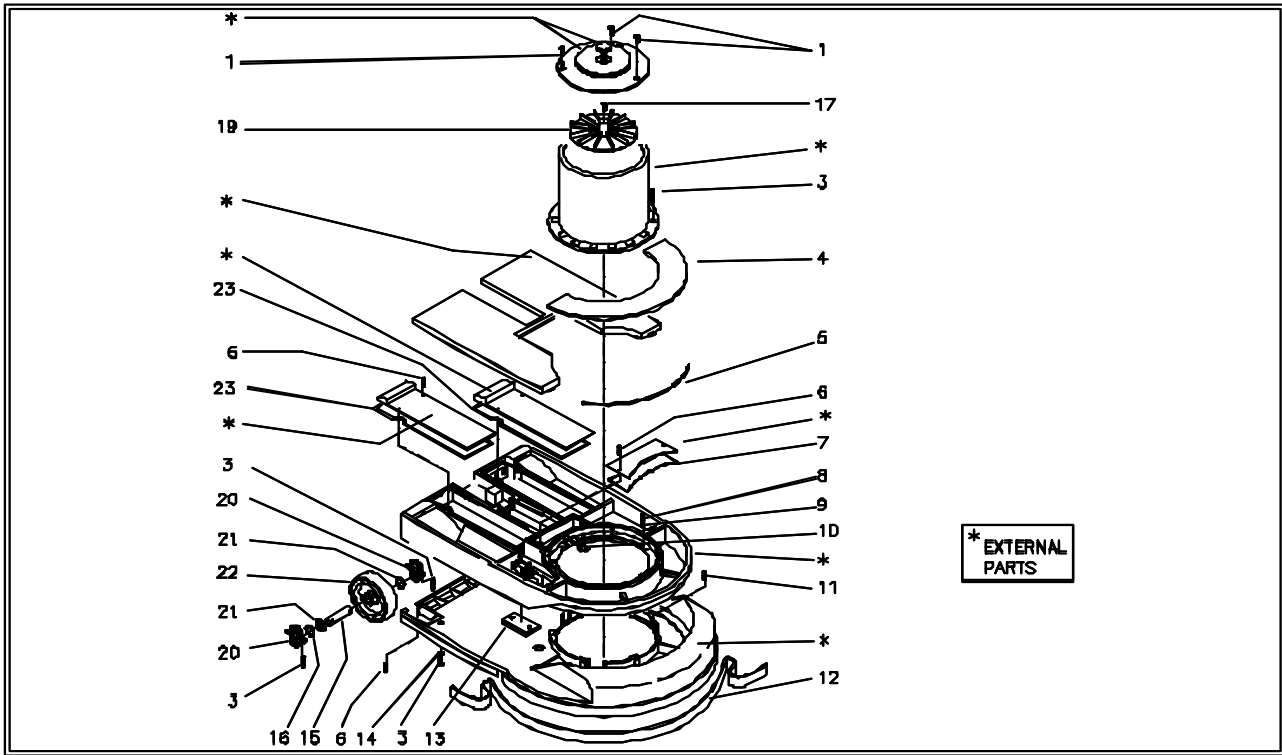
L17 LOW SPEED FLOOR MACHINE CODE: pl1307 ab SN from 98C738

REF.	CODE	DESCRIPTION	QTY
1	SL10060	WHEEL / SMALL WHEEL	1
2	SL07321	PIN	3
3	SL10059	WHEEL / SMALL WHEEL	3
4	SL07323	FLANGE	1
5	SL04294	SCREW	3
6	SL01027	LID	1
7	SL04013	SCREW	6
8	SL09756	FLANGE	1
9	SL07431	SPACER	3
10	SL09757	FLANGE	1
11	SL04295	SCREW	3
12	SL03314	GASKET	1
13	SL12060	BEARING	1
14	SL07391	SPACER	1
15	SL03406	GASKET	1
16	SL11111	RING	2
17	SL10065	OIL SPLASH GUARD	1
18	SL12059	BEARING	1
19	SL02121-U	MOTOR	1
20	SL18245	HALFCONNECTOR CABLES	1
	MP18000	OIL	0.17



← Back 1 page

L17 LOW SPEED FLOOR MACHINE CODE: pl1358 ac SN from 00D000



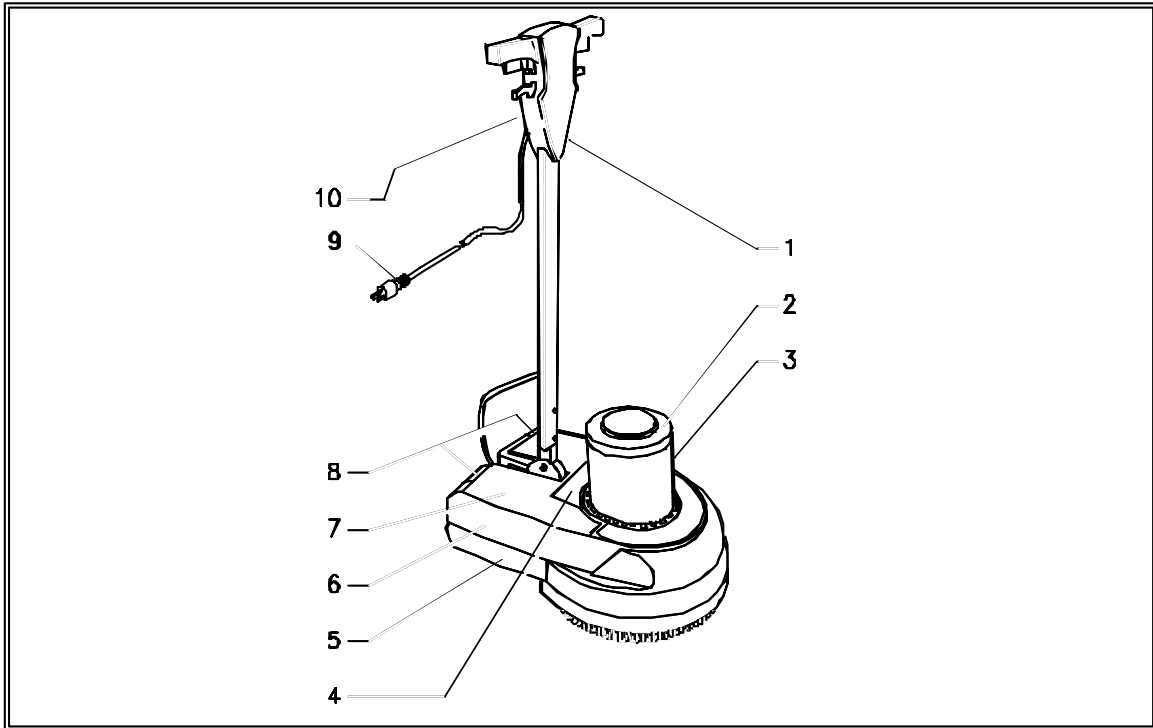
L17 LOW SPEED FLOOR MACHINE CODE: pl1358 ac SN from 00D000

REF.	CODE	DESCRIPTION	QTY
1	SL04218	SCREW	3
3	SL04300	SCREW	15
4	SL17418	LID	1
5	SL03318	GASKET	1
6	SL04303	SCREW	10
7	SL03326	GASKET	1
8	SL04296	SCREW	6
9	SL06015	WASHER	6
10	SL18244	HALF UNION	1
11	SL04313	SCREW	6
12	SL03282	GASKET	1
13	SL09760	PLATE	1
14	SL06084	WASHER	4
15	SL07369	PIN	2
16	SL06030	WASHER	2
17	SL04108	SCREW	1
19	SL17420	FAN	1
20	SL17433	BLOCK / SMALL BLOCK	4
21	SL06062	WASHER	4
22	SL08038	WHEEL	2
23	SL03327	GASKET	2



← Back 1 page

L17 LOW SPEED FLOOR MACHINE CODE: pl1304F ac SN from 00J000

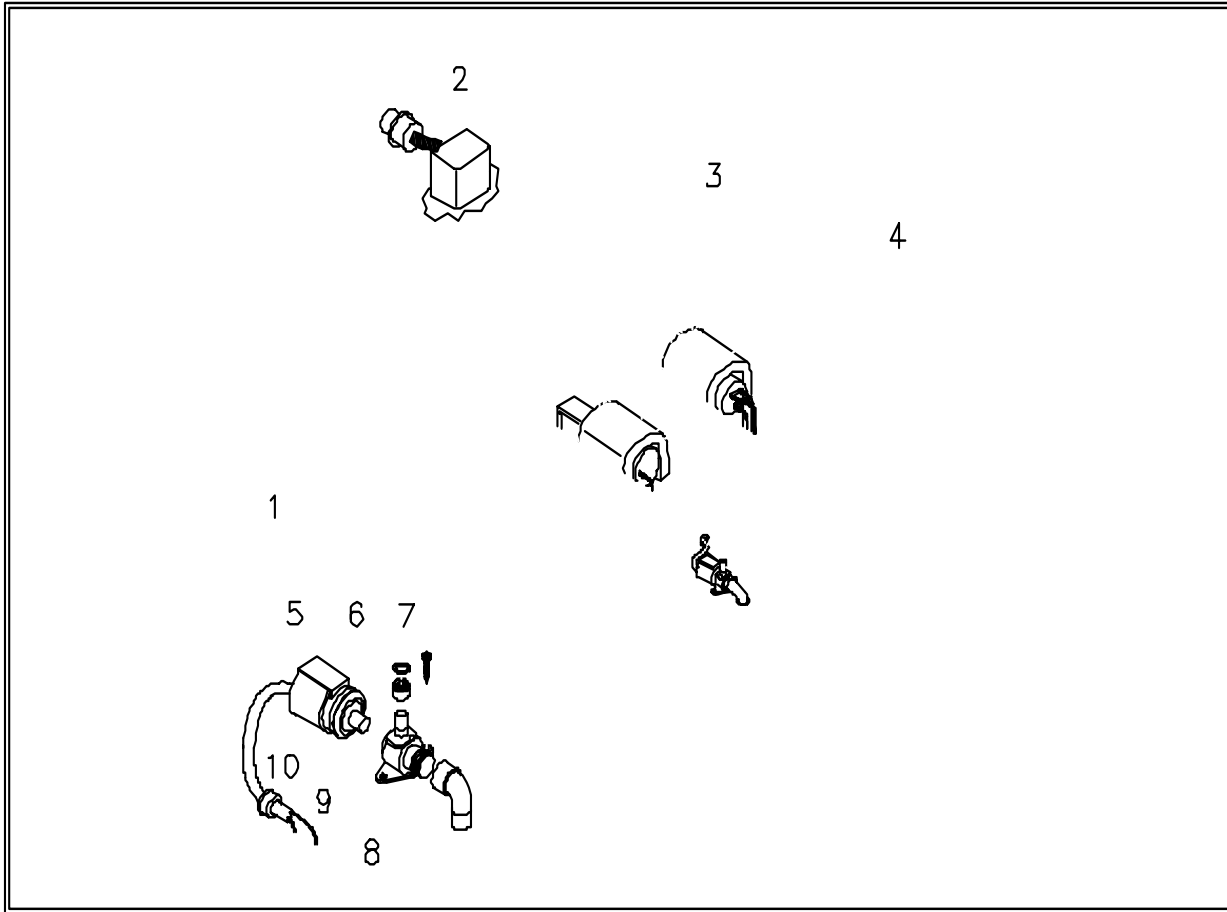


REF.	CODE	DESCRIPTION	QTY
1	SL17430F	HALFBEARING	1
2	GR17420F	FAN	1
3	SL17419F	PROTECTION JACKET	1
4	SL17417F	LID	1
5	SL17466F	PLATE	1
6	SL17471F	BODY	1
7	SL17423NE	LID	1
8	SL17424F	LID	2
9	SL23616-U	CABLE	1
10	SL17427F	HALFBEARING	1



← Back 1 page

L17 LOW SPEED FLOOR MACHINE CODE: pl1308 ac SN from 00D000

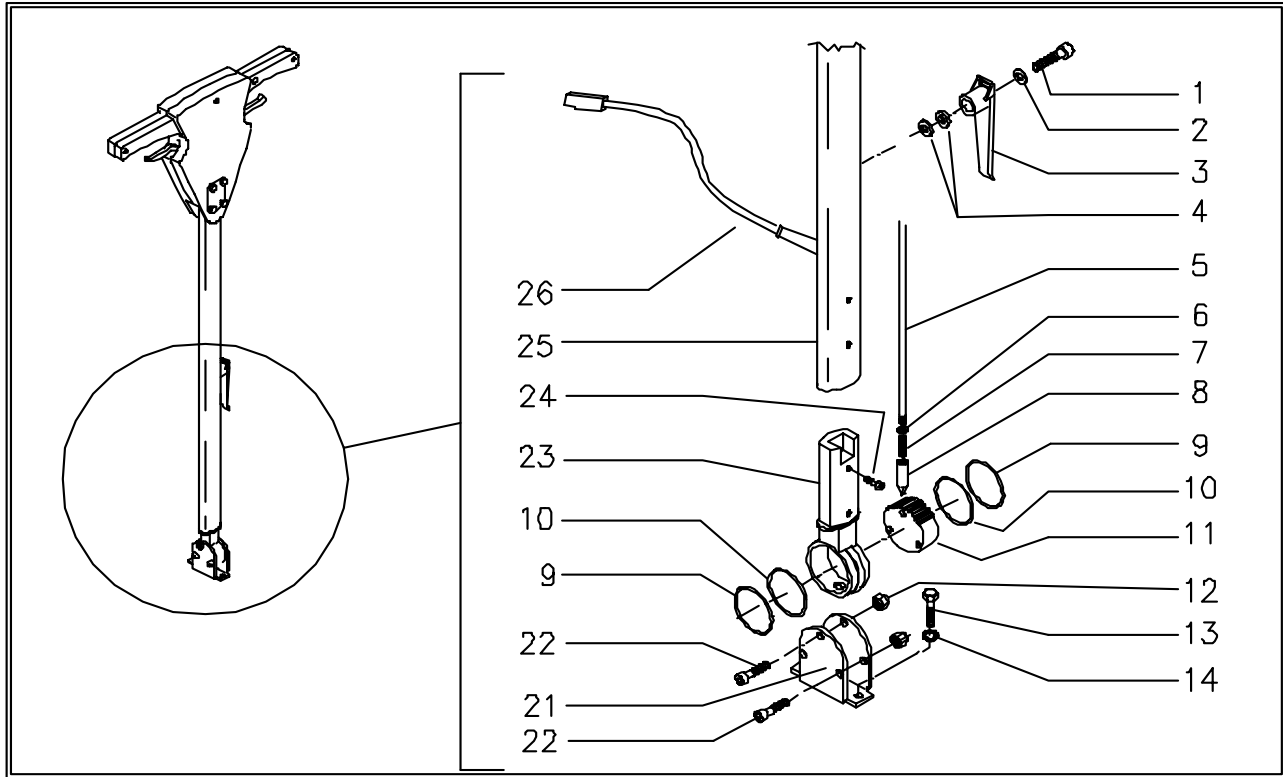


REF.	CODE	DESCRIPTION	QTY
1	SL23657	TAP / OUTLET	1
2	SL23686	CONNECTOR	1
3	SL03112	FILTER	2
4	GR23484	CONDENSER/BREAKER GROUP	1
5	SL07348	BUSHING / BUSH	1
6	SL03397	GASKET	1
7	SL04303	SCREW	2
8	SL18325	ELBOW	1
9	SL23598	FAIRLEAD	1
10	SL18323	ELECTROVALVE	1



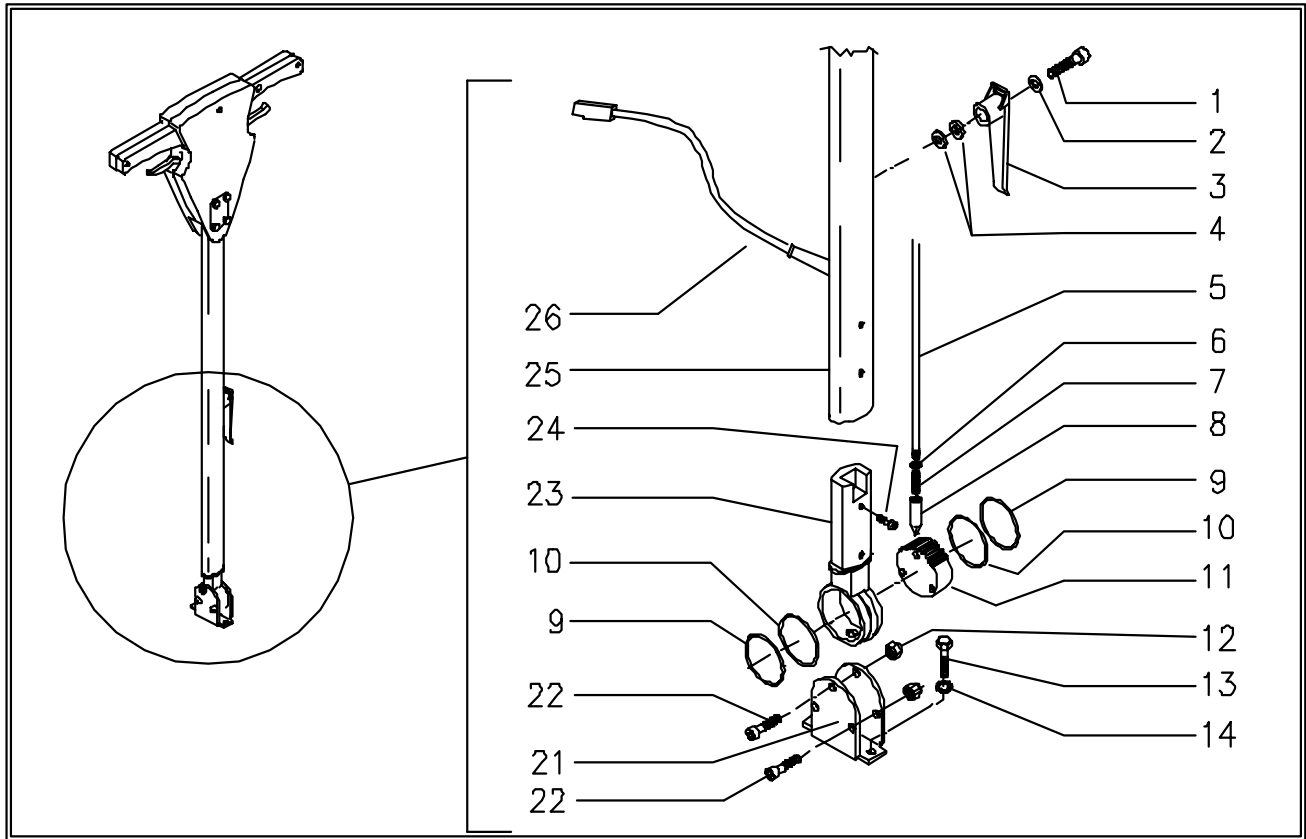
← Back 1 page

L17 LOW SPEED FLOOR MACHINE CODE: pl1292 ad SN from 00D001



REF.	CODE	DESCRIPTION	QTY
1	SL04167	SCREW	1
2	SL13053	SPRING	1
3	SL17267	CABLE WINDER	1
4	SL06003	WASHER	2
5	SL07412	TIE ROD	1
6	SL06039	WASHER	1
7	SL13025	SPRING	2
8	SL10067	PAWL	1
9	SL06097	WASHER	2
10	SL03317	GASKET	2
11	SL10066	UNIT / PIEZA	1
12	SL05004	NUT	3
13	SL04305	SCREW	2
14	SL06083	WASHER	2
21	SL09759	SUPPORT	1
22	SL04143	SCREW	3
23	SL22013	ARTICULATION	1
24	SL04311	SCREW	2
25	SL09890	ROD	1
26	GR23688-U	ROD HANDLE CABLE+CONNECTOR	1

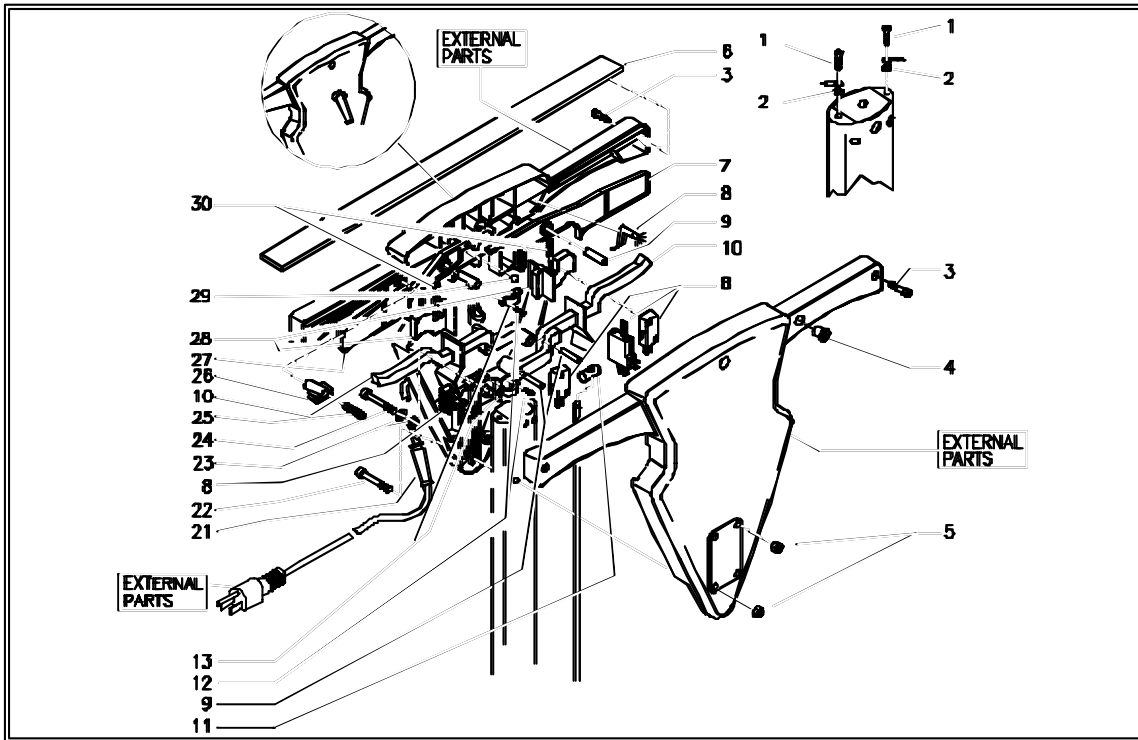
L17 LOW SPEED FLOOR MACHINE CODE: pl1292 ad SN from 00D001



REF.	CODE	DESCRIPTION	QTY
1	SL04167	SCREW	1
2	SL13053	SPRING	1
3	SL17267	CABLE WINDER	1
4	SL06003	WASHER	2
5	SL07412	TIE ROD	1
6	SL06039	WASHER	1
7	SL13025	SPRING	2
8	SL10067	PAWL	1
9	SL06097	WASHER	2
10	SL03317	GASKET	2
11	SL10066	UNIT / PIEZA	1
12	SL05004	NUT	3
13	SL04305	SCREW	2
14	SL06083	WASHER	2
21	SL09759	SUPPORT	1
22	SL04143	SCREW	3
23	SL22013	ARTICULATION	1
24	SL04311	SCREW	2
25	SL09890	ROD	1
26	GR23688-U	ROD HANDLE CABLE+CONNECTOR	1

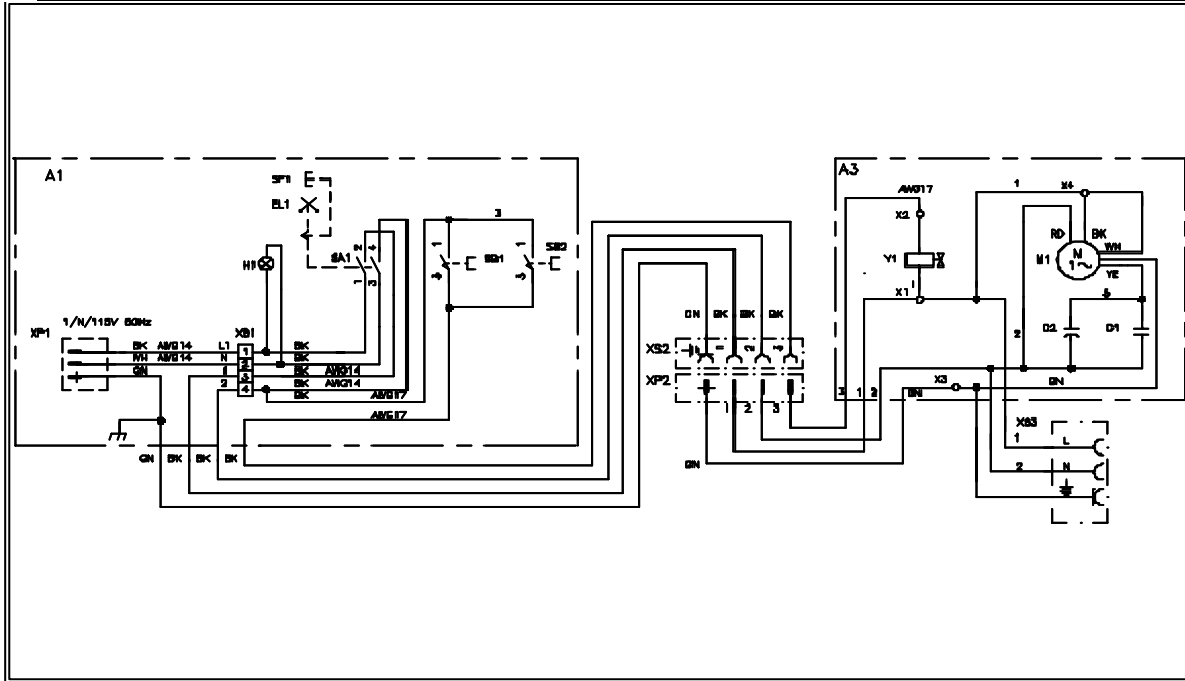


L17 LOW SPEED FLOOR MACHINE CODE: pl1293 aa SN from 99C48



REF.	CODE	DESCRIPTION	QTY
1	SL04079	SCREW	2
2	SL06033	WASHER	2
3	SL04297	SCREW	6
4	SL23498	(RETRO)REFLECTOR / REFLEX REFLECTOR	1
5	SL05068	NUT	4
6	SL09761	ROD	1
7	SL17428	LEVER	1
8	GR23965-U	COMPLETE HANDLE WIRING	1
9	SL07322	PIN	4
10	SL17429	LEVER	2
11	SL14310	BLOCK / SMALL BLOCK	1
12	SL04303	SCREW	4
13	SL23946	U BOLT	2
21	SL23588	FAIRLEAD	1
22	SL04099	SCREW	2
23	SL06088	WASHER	4
24	SL04111	SCREW	2
25	SL13059	SPRING	1
26	SL23006	PUSH-BUTTON	1
27	SL17431	LEVER	1
28	SL17432	LEVER	2
29	SL14232	SPHERE / BALL	1
30	SL13079	SPRING	2

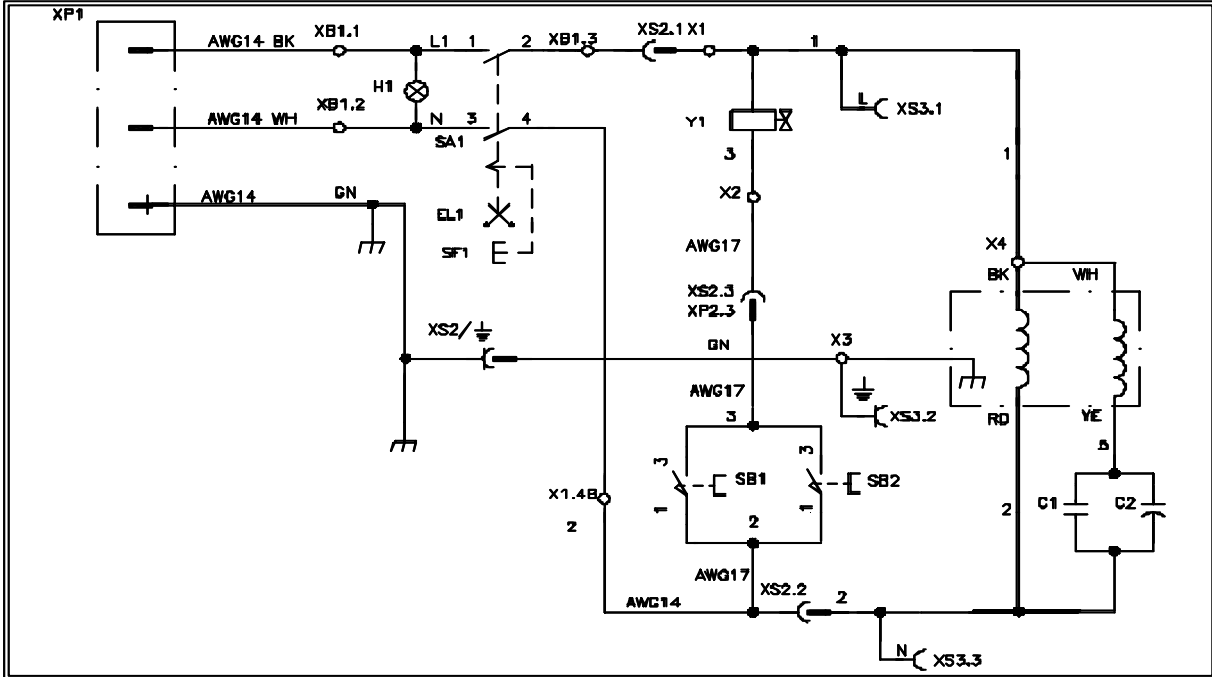
L17 LOW SPEED FLOOR MACHINE CODE: wd27049 aa SN from99C477



REF.	CODE	DESCRIPTION	QTY
A1		HANDLE WIRING DIAGRAM	
A2		MOTOR WIRING DIAGRAM	
C1		50MF RUNNING CONDENSER	
C2		70 MF TAKE-OFF CONDENSER	
H1		LAMP	
M1		MOTOR	
SF1		SAFETY BUTTON	
SA1		BRUSH SWITCH	
SB1		ELECTROVALVE BUTTON	
SB2		ELECTROVALVE BUTTON	
X1...X3		TERMINAL FORBOX E27	
XB1		MAMMUT	
XP1		PIN	
XP2		CONNECTOR M.	
XS2		CONNECTOR M.	
XS3		PLUG	
Y1		ELECTROVALVE	
		COLORS	
BK		BLACK	
BN		BROWN	
BU		BLUE	
GN		GREEN	
GN/YE		YELLOW / GREEN	
GY		GREY	
RD		RED	
WH		WHITE	



L17 LOW SPEED FLOOR MACHINE CODE: WD27049-1



REF.	CODE	DESCRIPTION	QTY
A1		HANDLE WIRING DIAGRAM	
A2		MOTOR WIRING DIAGRAM	
C1		50MF RUNNING CONDENSER	
C2		70 MF TAKE-OFF CONDENSER	
H1		LAMP	
M1		MOTOR	
SF1		SAFETY BUTTON	
SA1		BRUSH SWITCH	
SB1		ELECTROVALVE BUTTON	
SB2		ELECTROVALVE BUTTON	
X1...X3		TERMINAL FORBOX E27	
XB1		MAMMUT	
XP1		PIN	
XP2		CONNECTOR M.	
XS2		CONNECTOR M.	
XS3		PLUG	
Y1		ELECTROVALVE	
		COLORS	
BK		BLACK	
BN		BROWN	
BU		BLUE	
GN		GREEN	
GN/YE		YELLOW / GREEN	
GY		GREY	
RD		RED	
WH		WHITE	



Back 1 page

Eagle Power™ Products Group

Warranty Policy

Limited Warranty

Eagle Power Products (EPP) warrants new cleaning equipment against defects in material and workmanship under normal use and service to the original purchaser as detailed below.

10 Years

Subject to the conditions stated below, EPP warrants polyethylene tanks and housings to be free from defects in materials and workmanship for a period of ten years.

3 Years

Subject to the conditions stated below, EPP warrants all automatic scrubber components to be free from defects in materials and workmanship for a 3-year period. Parts replaced or repaired are warranted for the remainder of the original warranty period.

1 Year

Subject to the conditions stated below, EPP warrants all other cleaning equipment components to be free from defects in materials and workmanship for a 1-year period. Parts replaced or repaired are warranted for the remainder of the original warranty period. Batteries are prorated for one year.

EPP will furnish and charge for replacement parts, including transportation, to the original owner through an EPP authorized service center. If the part is returned within 30 days and is found defective, the owner will be credited for the cost of the replacement part including shipping and handling.

Labor charges are covered for one year from the date of purchase if provided by an authorized EPP service center. Travel is covered for 90 days for battery operated equipment only.

Wear items exempt from warranty include belts, carbon brushes, power cords, wheels, pad drivers, clutch plates, brushes, pads, handle grips, filters, screens, throttle cables, and squeegees.

This warranty shall not apply to failures caused by misuse or abuse, improper maintenance as stated in the operation manuals, use of unauthorized repair parts, repairs by other than an EPP authorized service center, and damage in transit.

EPP disclaims and denies any liability for any direct, indirect, special incidental or consequential damage which may be suffered as a result of sale, delivery, servicing, use, loss of any product, downtime, labor, freight, or other charges not expressly included herein.

Date Purchased: _____

Serial Number: _____

Serial Number: _____

Please be sure to record this information. This information will be necessary for future warranty claims.



1174 Northland Drive Mendota Heights, MN 55120
651.686.5399 Fax 651.686.5695
www.eaglepower.com

Eagle Power Products Sales and Service Provided by: