



## Electronic Service Manuals

This electronic document is provided as a service to our customers. We do not create the contents of the information contained in this document. Should you have detailed questions pertaining to the information contained in this document, you may contact Michco, or the manufacturer which provided the original information in this electronic deliverable. Michco's only part in this electronic deliverable was the electronic assembly process. By providing this manual on line we are not guaranteeing parts availability.

You may contact Michco through the following methods:

Phone (517) 484-9312 or (800) 331-3339

2011 N. High St. -- Lansing, Michigan -- 48906

Fax: (517) 484-9836

Email: [CustServe@Michco.com](mailto:CustServe@Michco.com)

Web site: [www.Michco.Com](http://www.Michco.Com)

Parts Web site: [www.FloorMachineParts.Com](http://www.FloorMachineParts.Com)

Order Parts on Line at:

**[www.FloorMachineParts.Com](http://www.FloorMachineParts.Com)**

Directly to Parts & Service:

By Email: **[Shop@Michco.com](mailto:Shop@Michco.com)**

By Fax: (517) 702-2041

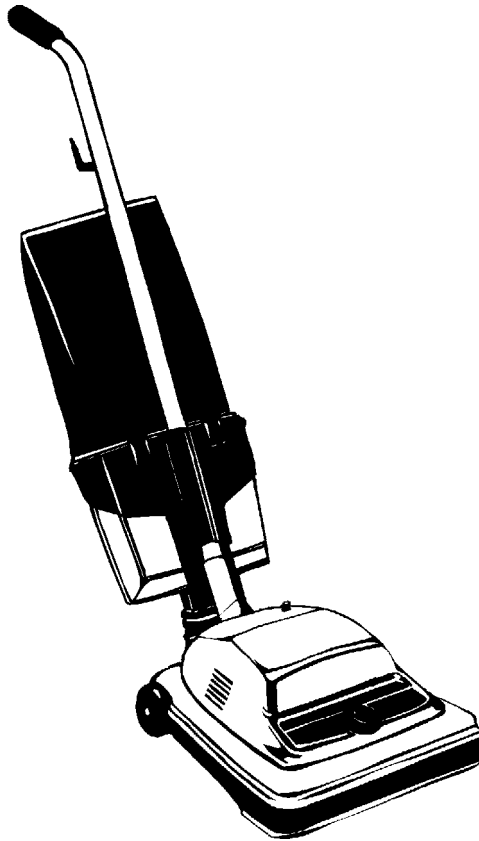
By Voice: Use numbers above.

**Serving the Cleaning Industry Since 1922**

Notice: All copyrighted material remains property of original owners, all trademarks are property of respective owners. Manuals are subject to Manufacturer's reproduction limitations. Originals or reproductions were provided by manufacturers through a request. We make no warranty as to the correctness of information provided in this document and you assume all risk. By placing these manuals on line we are not declaring our corporation to be an manufacturer authorized dealer or provider, please check our web site for authorized manufacturers we represent.

# ReliaVac™ 12DC

---

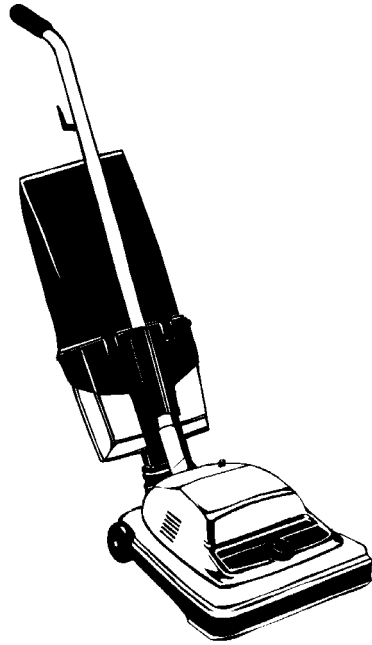


---

## **PARTS LIST**

**MODELS: 56648070, 03003A**



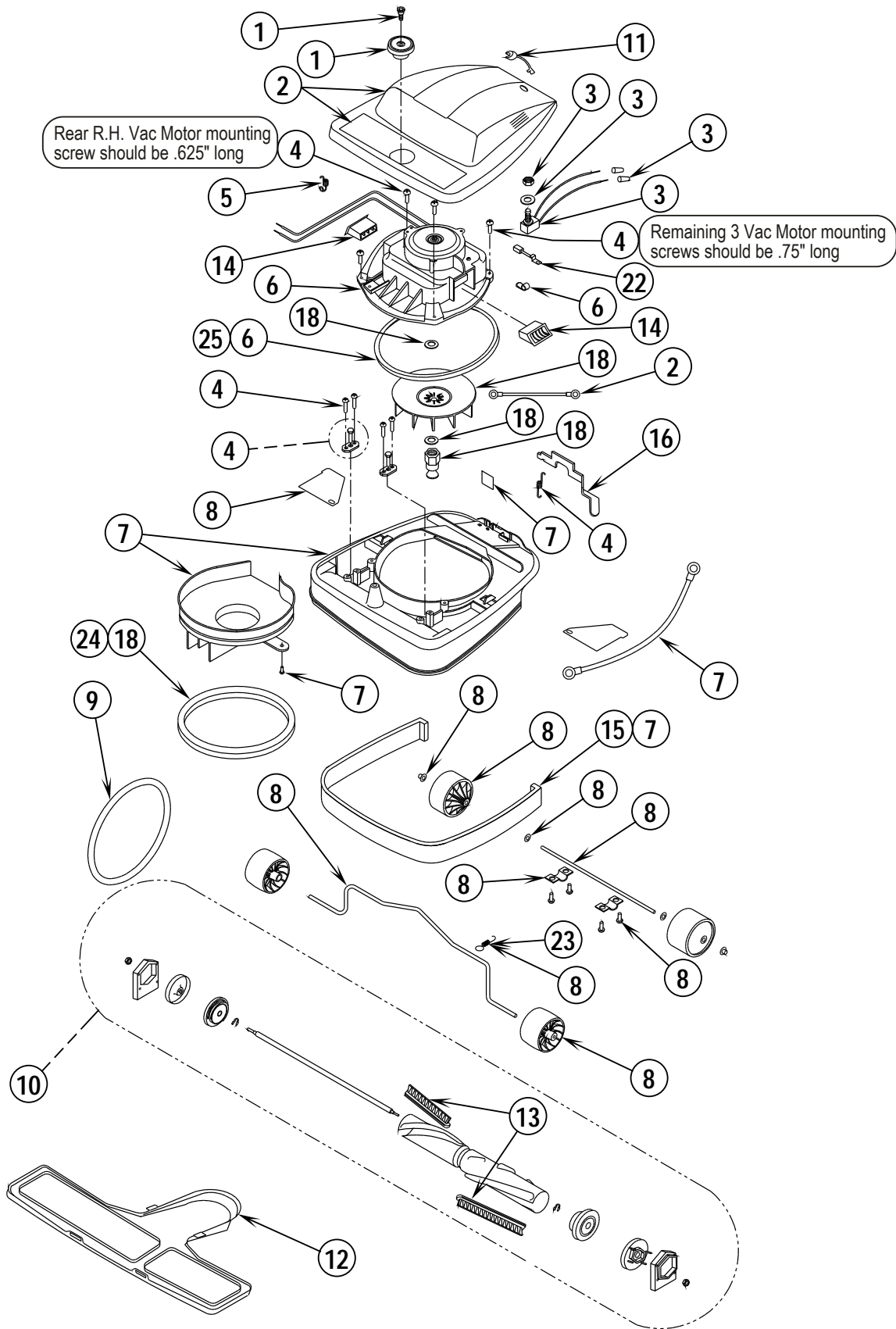


<u>DESCRIPTION</u>	<u>PAGE</u>
Base Assembly.....	2-3
Handle Assembly .....	4-5
Wiring Diagram .....	5

**WHEN ORDERING PARTS**

- \* Use the part numbers from the "Ref. No." columns in this parts list.
- \* Specify the model and serial number of the machine.
- \* Use the space below to record the model and serial number for future reference.

Model \_\_\_\_\_ Serial No. \_\_\_\_\_



04-11

**BASE ASSEMBLY**

09-1

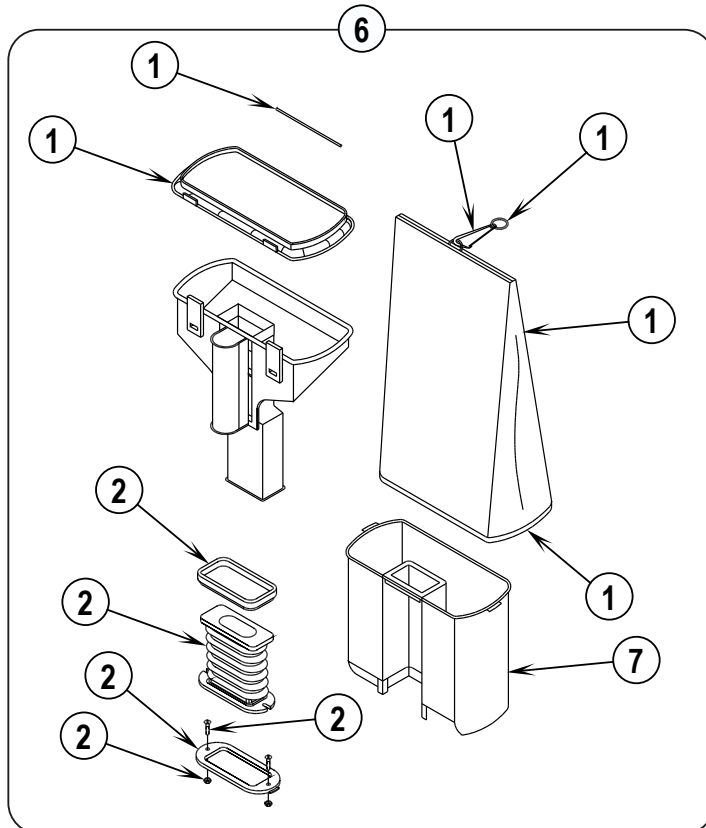
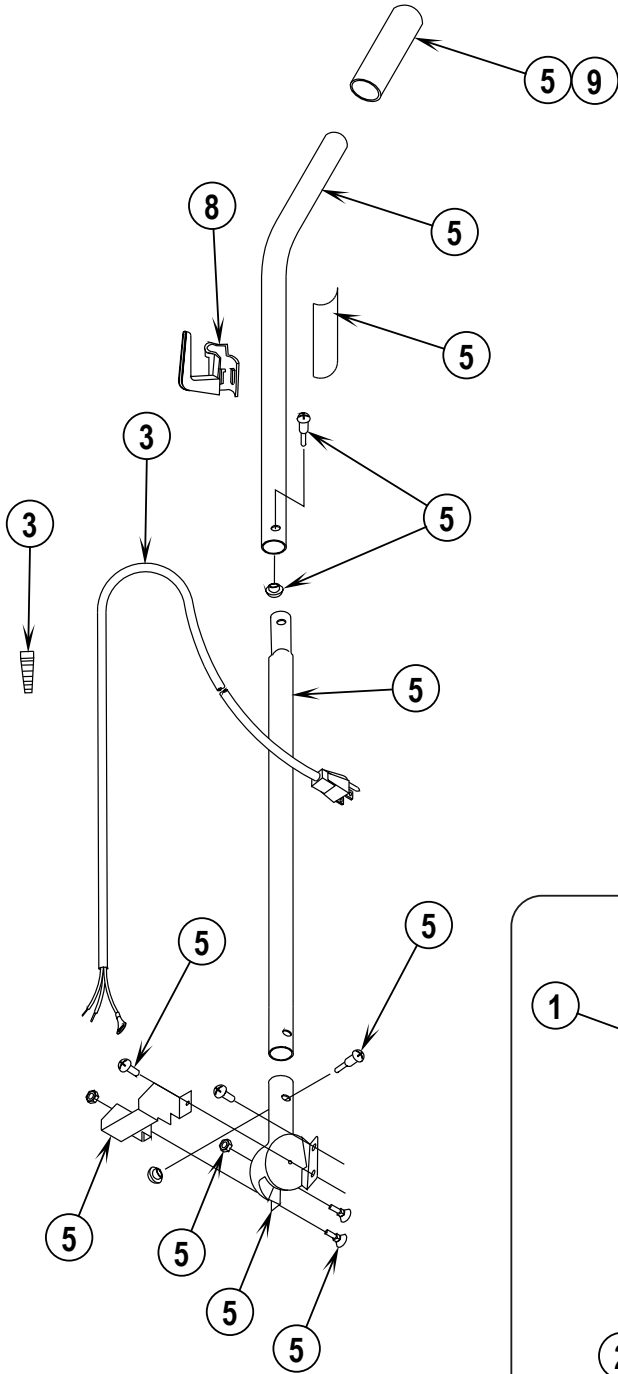
**ReliaVac™ 12DC****3**

Item	Ref. No.	Qty	Description
1	56648400	1	Brush Height Knob Assembly
2#	56648401	1	Hood Assembly-Grey
#	30862A	1	Hood Assembly-Black
3	56648405	1	Switch Assembly
4	56648410	1	Hardware Kit Base
5	56630765	2	Spring, Ext .304d .930l .055wd
6	56648406	1	Motor & Seal Assembly
7	56648441	1	Base Assembly-12, Dirt Cup
#	60585A	1	Base Assembly-Black
8	56648422	1	Wheel Assembly
9	56630563	1	Belt-Disturbulator Drive
10	56630489	1	Disturbulator, Assembly
11	56648417	1	Power Cord Assembly (see #3 on page 5)
12	56630478	1	Asm, Plate--Bottom
13	56648412	1	Brush Strip Kit
14	56648418	1	Air Duct Assembly
15	56630508	1	Guard, Furn--Clear Blue, 31.00l
16	56630395	1	Pedal, Foot--Up, White
18	56648420	1	Pulley and Fan Kit
#	30864A	1	Pulley and Fan Kit-Green
22	56630561	2	Carbon Brush, Mtr
23	56630620	1	Spring, Ext .275d 1.50l .024wd
24#	56630562	1	Gasket-Motor Seal
25#	56648178	1	Gasket-Motor Seal
**	56052964	1	Magnet, Permanent
**	56630325	1	Upright Vacuum Accessory Kit

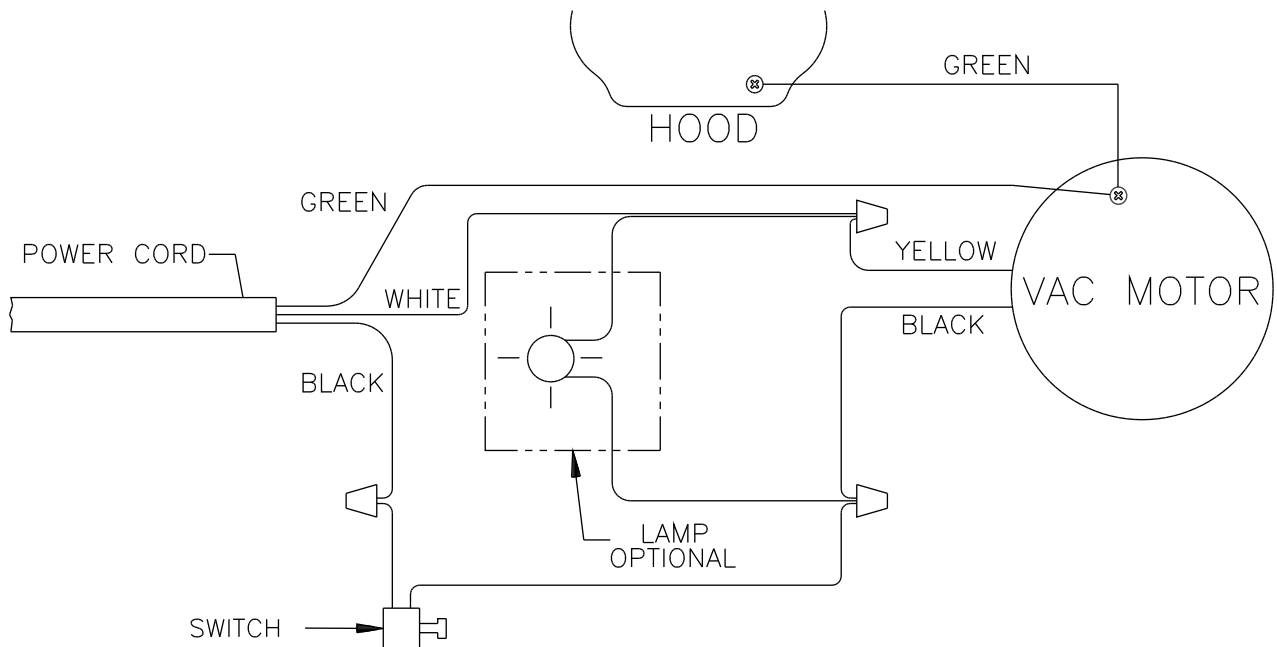
\* = Not Shown

\*\* = Not Included (optional)

# = Revised or new since last update



Item	Ref. No.	Qty	Description
1	56648404	1	Dirt Cup Bag Kit
2	56648427	1	Dirt Cup Bellows Kit
3	56648417	1	Power Cord Assy (see #11 on page 3)
5	56648411	1	Handle Assy
6	56039515	1	Dirt Cup Kit
7	56630249	1	Cup--Dirt,Clear Plstc
8	56630353	1	Hook,Cord--Uppt,Dark Gray
9	56648429	1	Grip,Handle--Dark Gray





**Nilfisk  
Advance**

*setting standards*

Nilfisk-Advance, Inc.  
14600 21st Avenue North  
Plymouth, MN 55447-3408  
[www.nilfisk-advance.com](http://www.nilfisk-advance.com)  
Phone: 800-989-2235  
Fax: 800-989-6566  
©2009 Nilfisk-Advance, Inc.