



## Electronic Service Manuals

This electronic document is provided as a service to our customers. We do not create the contents of the information contained in this document. Should you have detailed questions pertaining to the information contained in this document, you may contact Michco, or the manufacturer which provided the original information in this electronic deliverable. Michco's only part in this electronic deliverable was the electronic assembly process. By providing this manual on line we are not guaranteeing parts availability.

You may contact Michco through the following methods:

Phone (517) 484-9312 or (800) 331-3339

2011 N. High St. -- Lansing, Michigan -- 48906

Fax: (517) 484-9836

Email: [CustServe@Michco.com](mailto:CustServe@Michco.com)

Web site: [www.Michco.Com](http://www.Michco.Com)

Parts Web site: [www.FloorMachineParts.Com](http://www.FloorMachineParts.Com)

Order Parts on Line at:

**[www.FloorMachineParts.Com](http://www.FloorMachineParts.Com)**

Directly to Parts & Service:

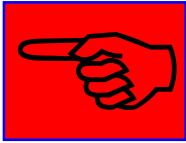
By Email: **[Shop@Michco.com](mailto:Shop@Michco.com)**

By Fax: (517) 702-2041

By Voice: Use numbers above.

**Serving the Cleaning Industry Since 1922**

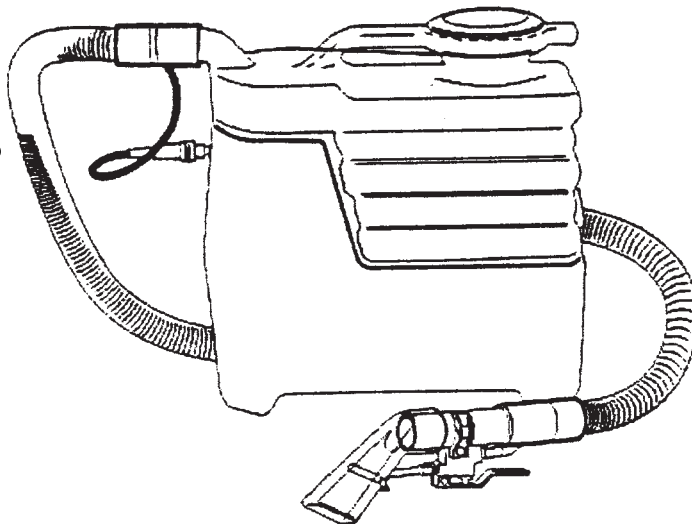
Notice: All copyrighted material remains property of original owners, all trademarks are property of respective owners. Manuals are subject to Manufacturer's reproduction limitations. Originals or reproductions were provided by manufacturers through a request. We make no warranty as to the correctness of information provided in this document and you assume all risk. By placing these manuals on line we are not declaring our corporation to be an manufacturer authorized dealer or provider, please check our web site for authorized manufacturers we represent.



# Clarke®

Division of  
ALTO®

**Operator's  
Manual**



**Image  
Mini Spot**

## READ THIS BOOK

This book has important information for the use and safe operation of this machine. Failure to read this book prior to operating or attempting any service or maintenance procedure to your Clarke machine could result in injury to you or to other personnel; damage to the machine or to other property could occur as well. You must have training in the operation of this machine before using it. If you or your operator(s) cannot read English, have this manual explained fully before attempting to operate this machine.

Si Ud. o sus operadores no pueden leer el Inglés, se hagan explicar este manual completamente antes de tratar el manejo o servicio de esta máquina.

All directions given in this book are as seen from the operator's position at the rear of the machine.

For new books write to: Clarke®, 2100 Highway 265, Springdale, Arkansas 72764.

# MACHINE DATA LOG/OVERVIEW

MODEL _____
DATE OF PURCHASE _____
SERIAL NUMBER _____
SALES REPRESENTATIVE # _____
DEALER NAME _____
OPERATIONS GUIDE NUMBER _____
PUBLISHED _____

<b>YOUR DEALER</b>	
Name:	_____
Address:	_____
Phone Number:	_____

## Table of Contents

<i>Machine Data Log/Overview</i> .....	2
<i>Table of Contents</i> .....	3
<b>HOW TO USE THIS MANUAL</b>	
<i>How to use this manual</i> .....	1-1
<b>SAFETY</b>	
<i>Important Safety Instructions</i> .....	2-1
<i>Hazard Intensity Level</i> .....	2-2
<i>Grounding Instructions</i> .....	2-3
<b>OPERATIONS</b>	
<i>Machine Operations</i> .....	3-1
<i>Set Up and Operation</i> .....	3-1
<i>Shut Down and Storage</i> .....	3-1
<b>MAINTENANCE</b>	
<i>Maintenance Schedule</i> .....	4-1
<i>Daily Maintenance</i> .....	4-1
<i>Periodic Maintenance</i> .....	4-1
<i>Solution Pump Replacement</i> .....	4-1
<i>Vacuum Motor Replacement</i> .....	4-1
<i>Carbon Brush Replacement</i> .....	4-1
<i>Machine Troubleshooting</i> .....	4-2
<i>Wiring Diagram</i> .....	4-2
<b>GROUP PARTS LIST</b>	
<i>Recovery Tank Group</i> .....	5-1
<i>Solution Tank Group</i> .....	5-3
<i>Labels &amp; Parts List</i> .....	5-5
<i>Hand Tool &amp; Parts List</i> .....	5-6
<i>Spotter Cart &amp; Parts List</i> .....	5-7
<i>Clarke Support Branches</i> .....	5-8
<i>Warranty</i> .....	5-9

***THIS PAGE LEFT BLANK INTENTIONALLY***

## HOW TO USE THIS MANUAL

This manual contains the following sections:

- HOW TO USE THIS MANUAL
- SAFETY
- OPERATIONS
- MAINTENANCE
- PARTS LIST

The HOW TO USE THIS MANUAL section will tell you how to find important information for ordering correct repair parts.

Parts may be ordered from authorized dealers. When placing an order for parts, the machine model and machine serial number are important. Refer to the MACHINE DATA box which is filled out during the installation of your machine. The MACHINE DATA box is located on the inside of the front cover of this manual.

MODEL _____
DATE OF PURCHASE _____
SERIAL NUMBER _____
SALES REPRESENTATIVE# _____
DEALER NAME _____
OPERATION GUIDE NUMBER _____
PUBLISHED _____

The model and serial number of your machine is on the back underside of machine.

The SAFETY section contains important information regarding hazard or unsafe practice of the machine. Levels of hazards is identified that could result in product or personal injury, or severe injury resulting in death.

The OPERATIONS section is to familiarize the operator with the operation and function of the machine.

The MAINTENANCE section contains preventive maintenance to keep the machine and its components in good working condition.

The PARTS LIST section contains assembled parts illustrations and corresponding parts list. The parts lists include a number of columns of information:

- **REF** - column refers to the reference number on the parts illustration.
- **PART NO.** - column lists the part number for the part.
- **QTY** - column lists the quantity of the part used in that area of the machine.
- **DESCRIPTION** - column is a brief description of the part.
- The main illustration shows the most current design of the machine. The boxed illustrations show older designs.

**NOTE:** If a service or option kit is installed on your machine, be sure to keep the KIT INSTRUCTIONS which came with the kit. It contains replacement parts numbers needed for ordering future parts.

# IMPORTANT SAFETY INSTRUCTIONS

When using an electrical appliance, basic precaution must always be followed, including the following:  
**READ ALL INSTRUCTIONS BEFORE USING THIS MACHINE**

 **WARNING:** To reduce the risk of fire, electric shock or injury:

**Use only** indoors. Do not use outdoors or expose to rain.

**Use only** as described in this manual. Use only manufacturer's recommended components and attachments.

If this machine is **not working properly**, has been dropped, damaged, left outdoors, or dropped into water, return it to an authorized service center.

**Do not** operate the machine with any openings blocked. Keep openings free of debris that may reduce airflow.

This machine **is not** suitable for picking up hazardous dust.

**Machine can cause a fire** when operating near flammable vapors or materials. Do not operate this machine near flammable fluids, dust or vapors.

**This machine is suitable for commercial use, for example in hotels, schools, hospitals, factories, shops and offices for more than normal housekeeping purposes.**

Maintenance and repairs **must be done** by qualified personnel.

**During operation**, attention shall be paid to other persons, especially children.

**When leaving unattended**, secure against unintentional movement.

**The machine shall only** be operated by instructed and authorized persons.

**When leaving unattended**, switch off or lock the main power switch to prevent unauthorized use.

**Do not** handle the plug or machine with wet hands.

**Do not** unplug machine by pulling on cord. To unplug, grasp the plug, not the cord.

**Do not** use with damaged cord or plug. Follow all instructions in this manual concerning grounding the machine.

**Do not** pull or carry by cord, use cord as a handle, close a door on cord, or pull cord around sharp edges or corners.

**Do not** pull/run machine over cord. **Keep** cord away from heated surfaces.

Connect to a **properly** grounded outlet. See Grounding Instructions.

## SAVE THESE INSTRUCTIONS

---

## **HAZARD INTENSITY LEVEL**

The following symbols are used throughout this guide as indicated in their descriptions:

### **HAZARD INTENSITY LEVEL**

There are three levels of hazard intensity identified by signal words- **WARNING** and **CAUTION** and **FOR SAFETY**. The level of hazard intensity is determined by the following definitions:

#### **WARNING:**

**WARNING** - Hazard or unsafe practices which COULD result in severe personal injury or death.

#### **CAUTION:**

**CAUTION** - Hazards or unsafe practices which could result in minor personal injury or product or property damage.

#### ***FOR SAFETY: To identify actions which must be followed for safe operation of equipment.***

Report machine damage or faulty operation immediately. Do not use the machine if it is not in proper operating condition. Following is information that signals some potentially dangerous conditions to the operator or to the equipment. Read this information carefully. Know when these conditions can exist. Locate all safety devices on the machine. Please take the necessary steps to train the machine operating personnel.

#### ***FOR SAFETY:***

**DO NOT OPERATE MACHINE:**

Unless Trained and Authorized.

Unless Operation Guide is Read and understood.

In Flammable or Explosive areas.

In areas with possible falling objects.

#### ***WHEN SERVICING MACHINE:***

**Avoid moving parts. Do not wear loose clothing; jackets, shirts, or sleeves when working on the machine. Use manufacturer approved replacement parts.**

## GROUNDING INSTRUCTIONS

**THIS PRODUCT IS FOR COMMERCIAL USE ONLY.**

### ELECTRICAL:

In the USA this machine operates on a standard 15 amp 115V, 60 hz, A.C. power circuit. The amp, hertz, and voltage are listed on the data label found on each machine. Using voltages above or below those indicated on the data label will cause serious damage to the motors.

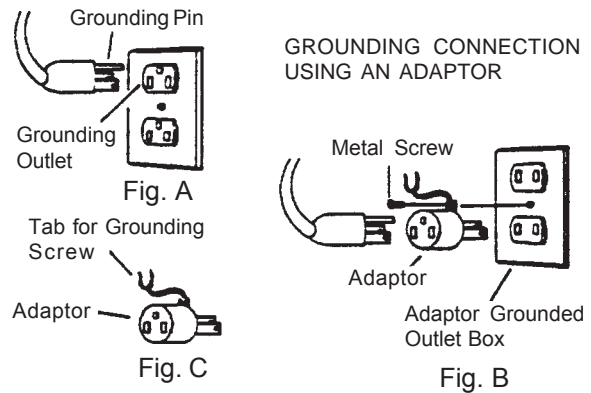
### EXTENSION CORDS:

If an extension cord is used, the wire size must be at least one size larger than the power cord on the machine, and must be limited to 50 feet (15.5m) in length.

### GROUNDING INSTRUCTIONS:

This appliance must be grounded. If it should malfunction or break down, grounding provides a path of least resistance for electric current to reduce the risk of electric shock. This appliance is equipped with a cord having an equipment-grounding conductor and grounding plug. The plug must be inserted into an appropriate outlet that is properly installed and grounded in accordance with all local codes and ordinances.

This appliance is for use on a nominal 120-volt circuit, and has a grounded plug that looks like the plug in "Fig. A". A temporary adaptor that looks like the adaptor in "Fig. C". may be used to connect this plug to a 2-pole receptacle as shown in "Fig. B", if a properly grounded outlet is not available. The temporary adaptor should be used only until a properly grounded outlet (Fig. A), can be installed by a qualified electrician. The green colored rigid ear, lug or wire extending from the adaptor must be connected to a permanent ground such as a properly grounded outlet box cover. Whenever the adaptor is used, it must be held in place by a metal screw.



Note: Adaptors are not allowed in Canada.

**Improper connection of the equipment-grounding conductor can result in a risk of electric shock. Check with a qualified electrician or service person if you are in doubt as to whether the outlet is properly grounded. Do not modify the plug provided with the appliance - if it will not fit the outlet, have a proper outlet installed by a qualified electrician.**

## MACHINE OPERATIONS

### SET UP AND OPERATION

1. Upon removing your new mini-extractor from the box, loosen the latch, at the back end and of the machine, that secures the recovery tank to the solution tank. Remove the recovery tank from the solution tank.
2. Pour clean, hot water to the indicated fill line of the solution tank. **To avoid possible tank distortion, water temperature must not exceed 140 F (60C).**
3. Add a non-foaming cleaning solution concentrate, for use in hot water extractors at the proportions noted on the container (See list below), into solution tank.
4. Place the recovery tank back onto the solution tank and refasten the latch.
5. Plug the power cord into grounded outlet (See GROUNDING INSTRUCTIONS).
6. Connect the vacuum and cleaning tool hoses to the extractor. This unit is equipped with an 1/8" male quick connect for solution hose attachment and a 1" ID vacuum hose hookup. Insure that the female solution hose coupler is securely locked onto the male coupler on the exttractor.
7. Turn switch ON. This switch operates both the vacuum motor and the water pump. **NOTE:** *The pump is an oscillating pump and should not be run dry for extended periods of time. This may cause damage to your pump, therefore voiding your warranty.*
8. Squeeze the solution lever on the cleaning tool to spray cleaning solution and place the vacuum head on the surface to be cleaned. Normally, chemical is applied on the **push** stroke while vacuuming is done on the **pull** stroke. For heavily soiled carpets, the hand tool may be used in the scrubbing manner, applying chemical in both the push and pull stroke. **ALWAYS FINISH UP AN AREA WITH A VACUUM PULL STROKE.**
9. The shutoff float inside the recovery tank will impeded the vacuum flow when the tank is full. When this occurs, empty the recovery tank. **NOTE:** *Dispose of waste in a proper manner which would not violate any Local, State or Federal Law.*

### CAUTION:

Operating vacuum after shutoff has activated could draw water directly into the vac motor. This will cause damage to the motor, therefore voiding your warranty.

### CAUTION:

**ALWAYS TEST UPHOLSTERY/CARPET FOR COLOR FASTNESS IN AN INCONSPICUOUS PLACE.** Also, to avoid prolonged drying times, do not spray too much solution in any one area.

### WARNING:

**Always use defoamer if foaming occurs. Foam will suspend large particles which may damage vacuum as well as allow liquid into the vacuum motor without activating the float shutoff.**

### WARNING:

**To prevent possible disease hazard, before attempting to clean bodily fluids spills, you must kill any viruses, germs or bacteria present in the bodily fluid.**

#### SUITABLE CHEMICALS

Alkalis  
Clorox II Bleach\*  
Defoaming Agents  
Detergents  
Hydroxides  
Oxygen Bleaches  
Bleaches  
Soaps  
**Sta-Puf Fabric**  
Softner\*  
Vinegar

#### INCOMPATIBLE CHEMICALS

Aldehydes  
Aromatic Hydrocarbons  
Butyls  
Carbon Tetrachloride  
Clorox\* Chlorinated  
Chlorinated Hydrocarbons  
D-Limonene  
Lysol\*  
Methyls (MEK)  
Perchloroethylene (perc)  
Phenois  
Trichloroethylene

\* Registered Trademark

### WARNING:

**Before making any adjustments or performing any maintenance to your machine, disconnect the power cord from the electrical source.**

#### SHUT DOWN AND STORAGE

1. Turn switch OFF. Empty recovery tank completely and rinse several times to remove any dirt or debris that may be left behind.
2. Tip the solution tank over a sink to drain any unused cleaning solution and rinse with clean water to remove any suds left behind by the cleaning chemicals. **NOTE:** *Dispose of waste in a proper manner which would not violate any Local, State or Federal law.*
3. Run a small amount of clean water through pump if chemicals were used. This will help insure the life of your pump.
4. Check the spray jet on the cleaning tool for full spray pattern and inspect vac head for any obstructions. Also make sure to clean the filter cap attached to portal cover of any debris that may have been trapped during cleaning.
5. Remove as much moisture from system before storing in cold climates. Excess water may freeze during storage and crack internal components, causing damage to the unit.

## MAINTENANCE

### DAILY MAINTENANCE:

Follow same procedure for Shut Down and Storage:

### PERIODIC MAINTENANCE:

1. Twice a month, flush a white vinegar solution (one quart vinegar to two gallons water) or anti-browning solution (mixed as directed) through the extractor. This will prevent build-up of alkaline residue in the system.
2. If spray jet becomes clogged, remove the spray tip, wash it thoroughly, and blow dry. **NOTE: DO NOT USE PINS, WIRE, ETC. TO CLEAN NOZZLE AS THIS COULD DESTROY THE SPRAY PATTERN.**
3. Apply silicone lubricant to solution nipple.
4. Periodically inspect all hoses, electrical cable and connections on your machine. Frayed or cracked hoses should be repaired or replaced to eliminate vacuum or solution pressure loss. If the cable insulation on the power cord is broken or frayed, repair or replace immediately. Don't take chances with electrical fire or shock.

### WARNING:

Only qualified maintenance personnel are to perform the following repairs.

### SOLUTION PUMP REPLACEMENT:

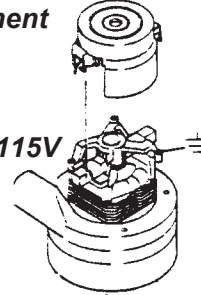
1. Turn off all switches and unplug the machine.
2. Unfasten screws holding pump plate to bottom of solution tank.
3. Remove solution hoses from fittings on pump.
4. Remove pump from brackets and remove fittings and grounding wire.
5. Reverse process to install new replacement pump.

### VACUUM MOTOR REPLACEMENT:

1. Turn off all switches and unplug machine.
2. Unfasten latch at back end of machine and remove recovery tank.
3. Unfasten screws holding switch plate to solution tank. Remove from solution tank. Locate the vacuum motor wires and disconnect at the connector.
4. Unfasten screws holding vac plate to switch plate. Remove the vacuum motor.
5. Reverse process to install vacuum motor replacement.

### Vac Motor Carbon Brushes Replacement

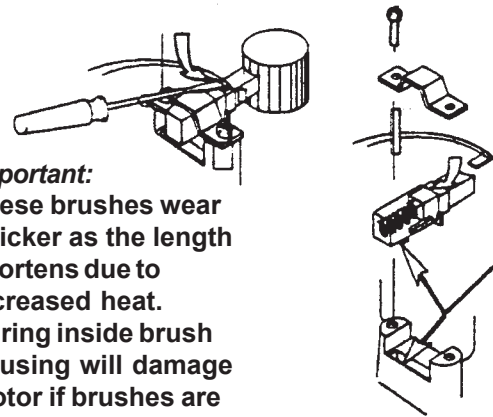
#### Carbon Brushes 115V



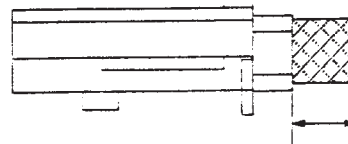
**WARNING:** The green ground wire must be attached for safe operation. See wiring diagram.

**NOTE:** When replacing carbon vac motor brushes, loosen wire terminal BEFORE removing screws on bracket.

If armature commutator is not concentric, extremely pitted, or grooved, the motor will need to be replaced or sent to a qualified service center to restore vac performance.



**Important:** These brushes wear quicker as the length shortens due to increased heat. Spring inside brush housing will damage motor if brushes are allowed to wear away.



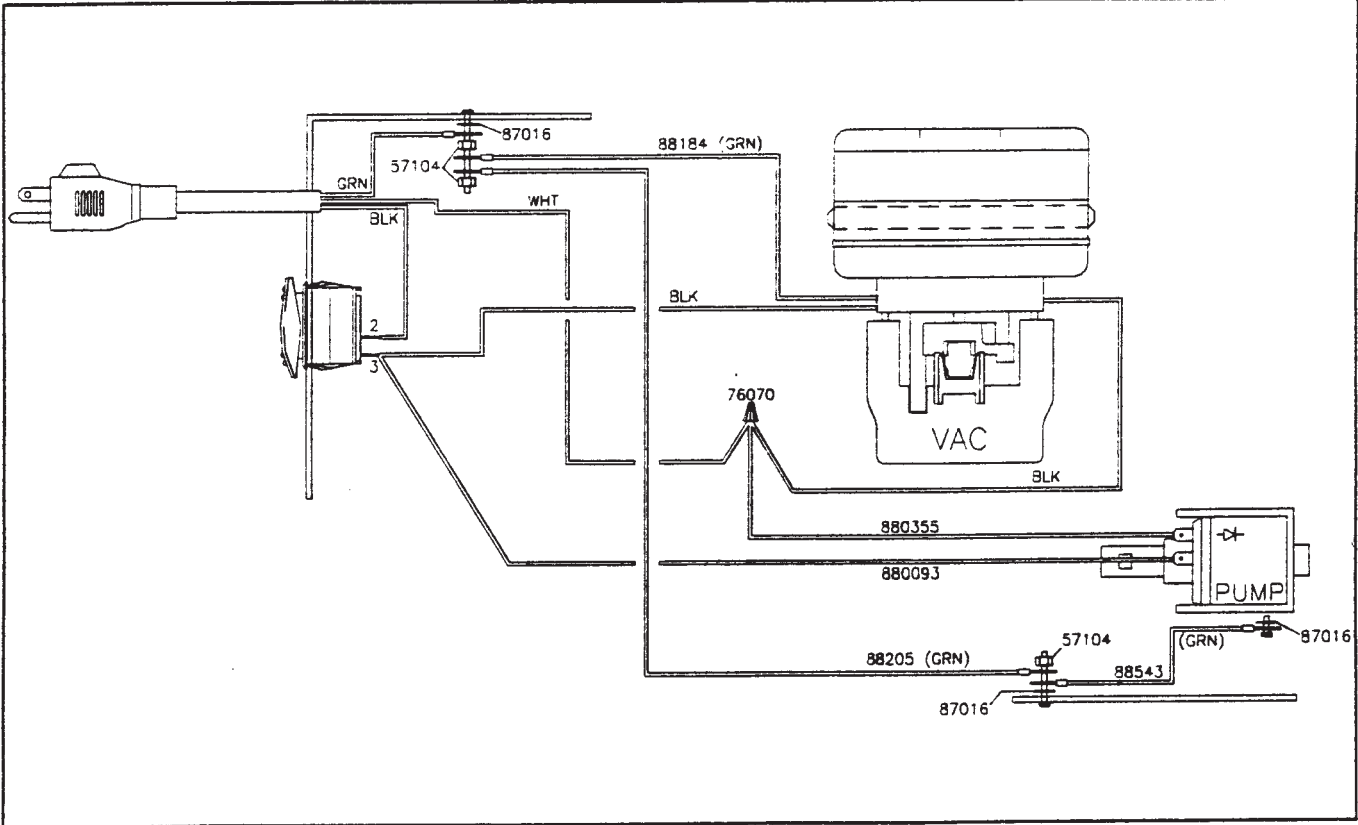
Periodically check the length of the carbon brushes. Replace both carbon brushes when either is less than 3/8" long.

# TROUBLESHOOTING/WIRING DIAGRAM

## TROUBLESHOOTING

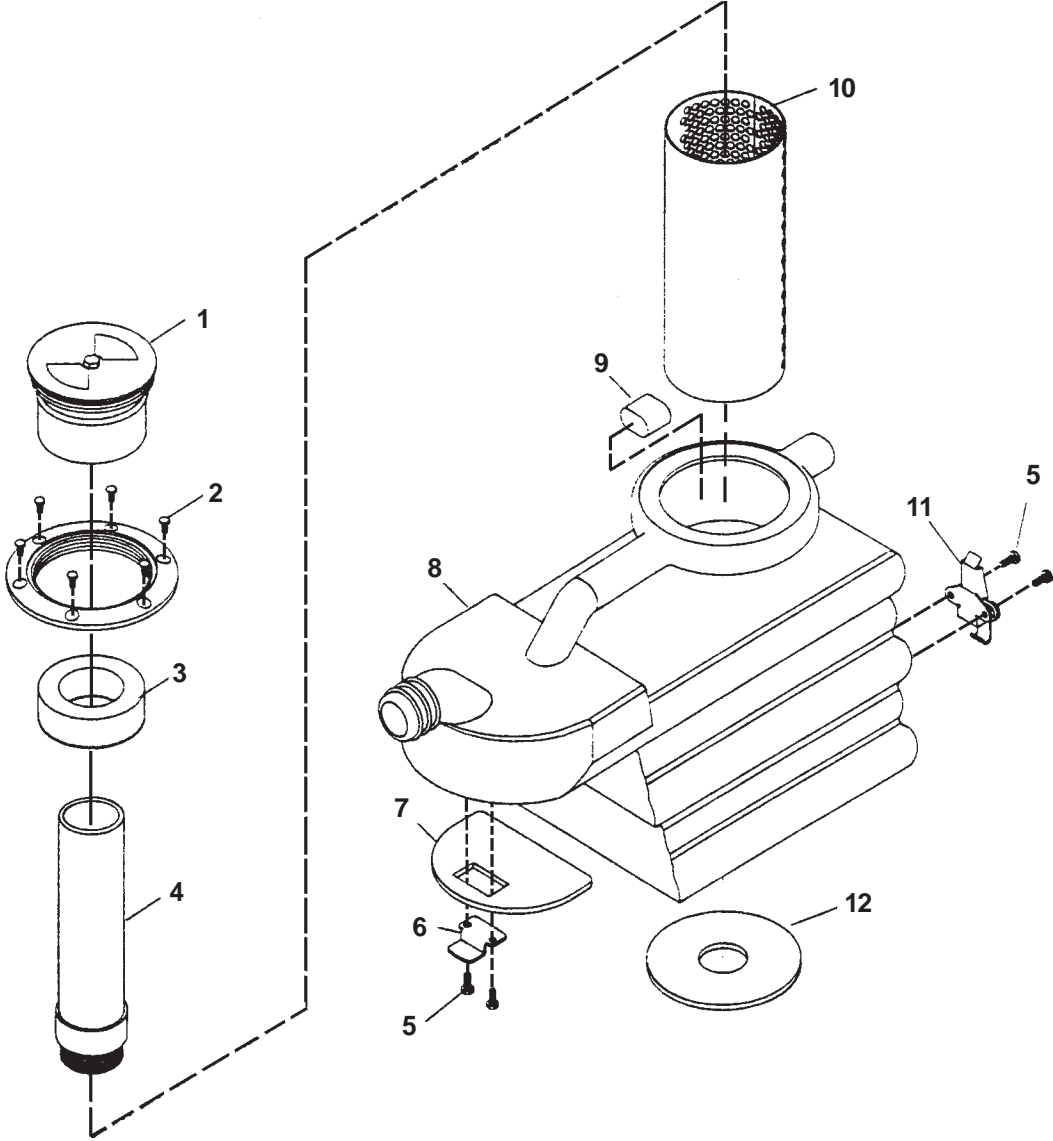
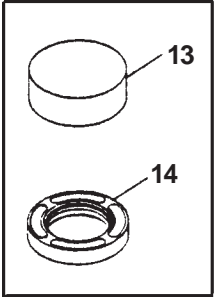
PROBLEM	CAUSE	SOLUTION
Little or no solution flow	Clogged spray jet on cleaning tool	Remove and clean jets
	Faulty pump	Check and replace pump. (Call Tech. Service first)
	Incorrectly attached solution hose	Ensure solution hose coupler is securely attached to the coupler on the solution tank.
Loss of vacuum/Solution recovery	Incorrectly attached vac hose	Ensure vac hose is pushed completely onto the recovery tank inlet.
	Obstruction in cleaning tool	Inspect for and remove any debris
	Recovery tank is not securely mounted on the solution tank	Tighten latch on back end of the machine

## WIRING DIAGRAM



Clarke®  
Image Mini Spot  
Recovery Tank Parts  
12/02

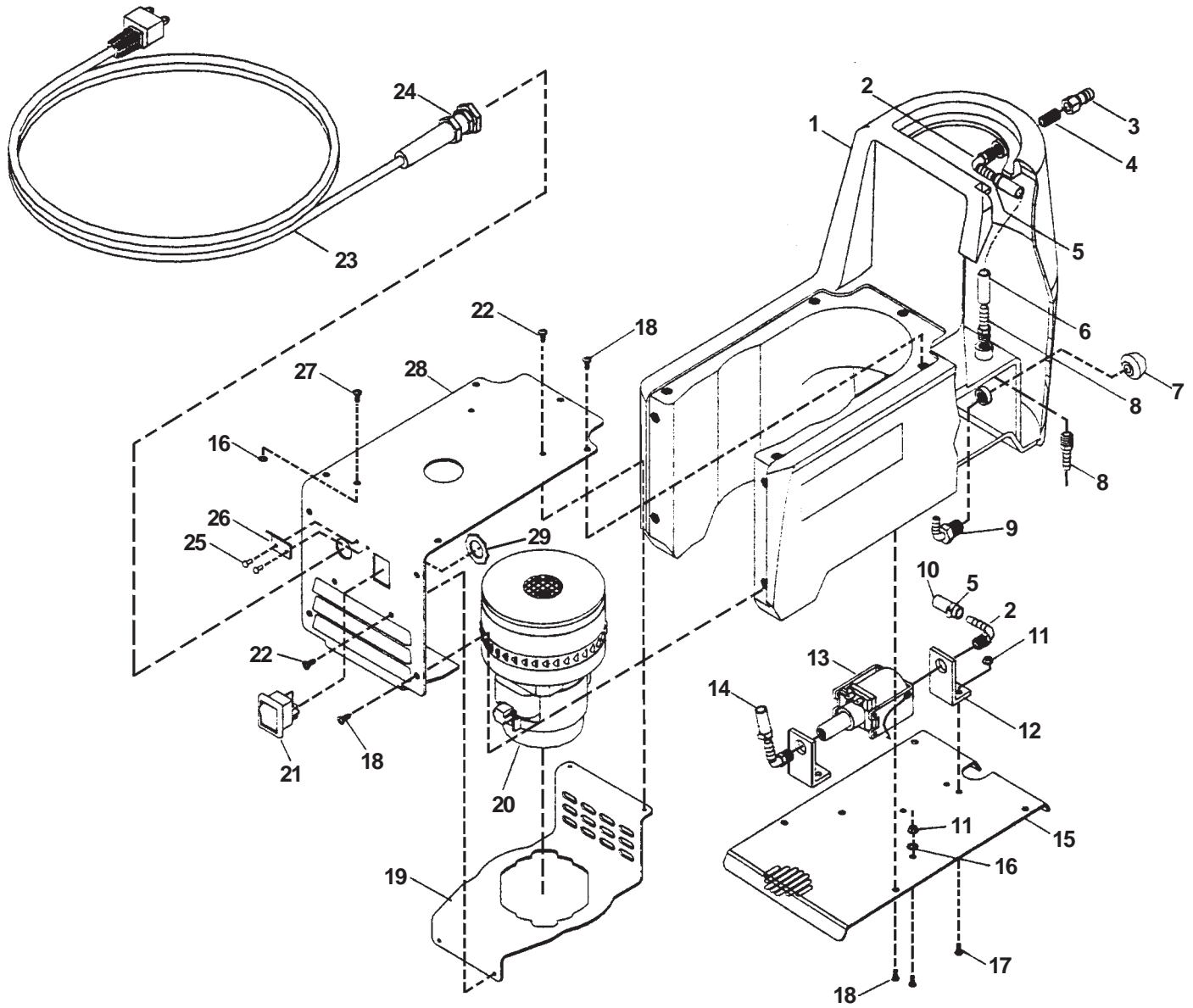
Parts Inside  
Portal Cap



**Clarke®**  
**Image Mini Spot**  
**Recovery Tank Parts List**  
**12/02**

<b>Ref.</b>	<b>Part No.</b>	<b>Description</b>	<b>Qty</b>
1	52875A	Asm. Access Cover	1
2	52876A	Screw, 8 x 3/4 PFHT/S BLK ZINC	6
3	52877A	Float Asm. Spotter Weight	1
4	52878A	Tube Asm. Spotter	1
5	52879A	Screw, 10-32 x 3/8 PPHMS SS NP	4
6	50356A	Bracket, Rec./Sol. Tank Seal	1
7	52796A	Gasket, Recovery Tank Seal	1
8	52880A	Tank, Spotter Recovery	1
9	52881A	Plug, Handle Recovery Tank	1
10	52882A	Plate, Backsplash Shield	1
11	52883A	Latch, Tension 3.22L	1
12	52884A	Gasket, 2.5" ID x 4" OD x 3/8" T	1
13	52885A	Foam, Air Filter Spotter	ref.
14	52886A	Bushing, 3" PVC Float Shutoff	ref.

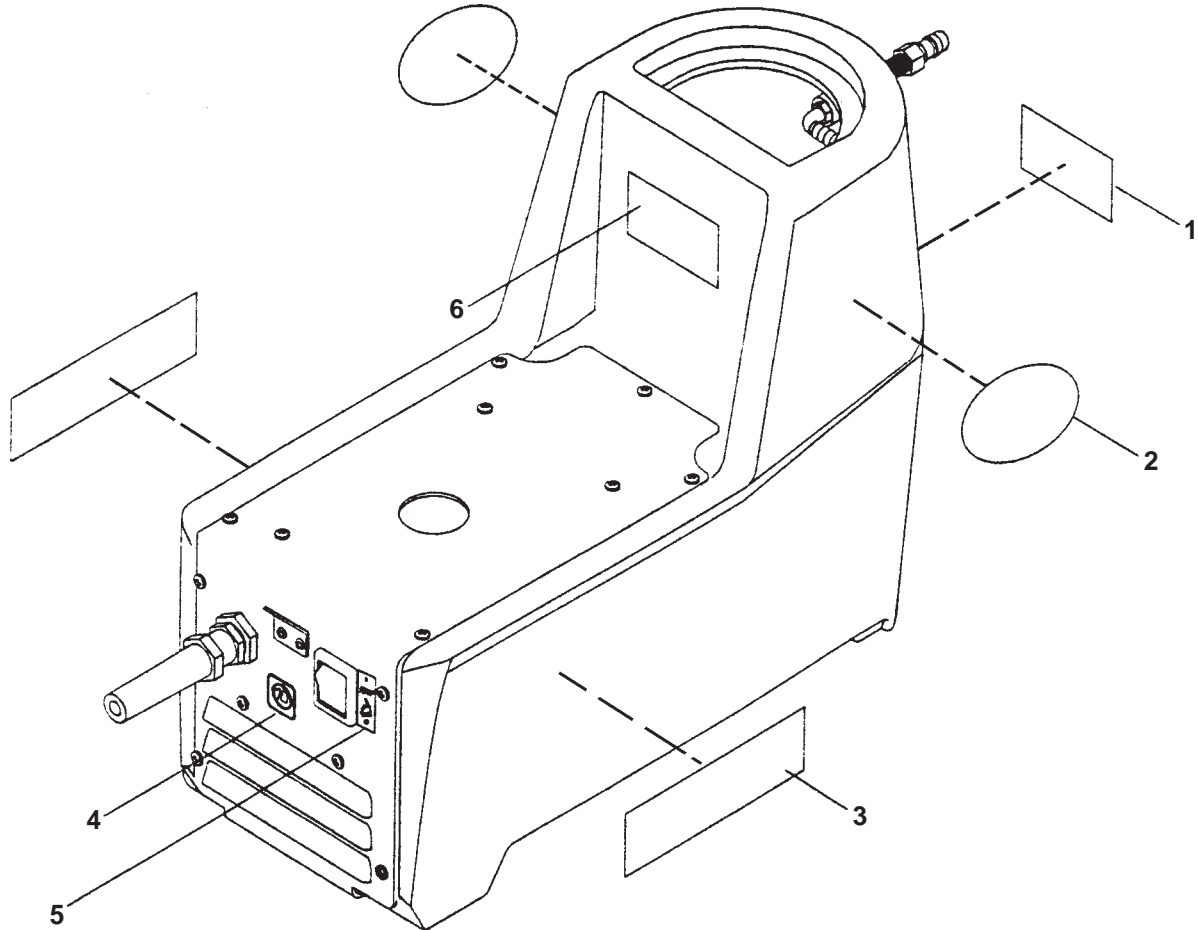
Clarke®  
Image Mini Spot  
Solution Tank Parts  
12/02



**Clarke®**  
**Image Mini Spot**  
**Solution Tank Parts List**  
**12/02**

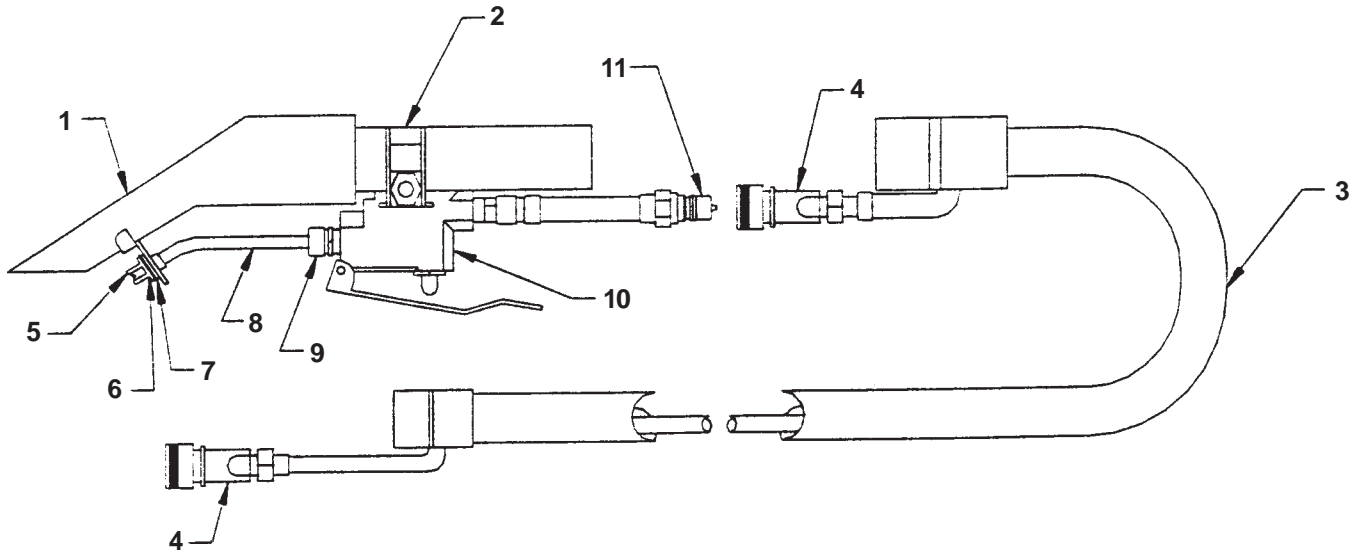
<b>Ref.</b>	<b>Part No.</b>	<b>Description</b>	<b>Qty</b>
1	52887A	Tank, Spotter Sol.	1
2	52888A	Hosebarb, 1/8 NPT x 3/8 90D Plastic	3
3	52889A	Nipple, 1/8 FPT QD Male Brass	1
4	52890A	Nipple, 1/8 Close	1
5	52891A	Clamp, 3/8 Hose (D-Slot)	5
6	52892A	Hose, 3/8" Nylon Braid x 10"	1
7	52893A	Strainer, 3/8 NPT 60 Mesh	1
8	52894A	Hosebarb, 1/8 MPT x 3/8 Plastic	2
9	52895A	Hosebarb, 3/8 MPT x 3/8 90D	1
10	52896A	Hose, 3/8" Rubber x 17"	1
11	52897A	Nut, 10-32 w/Star Washer Pltd.	5
12	52898A	Bracket, PVC Flojet Pump L-Shape	2
13	52899A	Pump, 110/120 60Hz Flojet	1
14	52961A	Hose, 3/8" Rubber x 11"	1
15	52962A	Plate, Lower Panel Cover	1
16	52963A	Washer, #10 Lock Ext. Star	1
17	52964A	Screw, 10-32 x 1/2 PPHMS SS NP	5
18	52965A	Screw, 10-32 x 3/8 PPHMS SS NP	13
19	52966A	Plate, Vac Motor	1
20	52967A	Vac. Asm. 115V Spotter	1
21	52968A	Switch, SPST 2 Positon Rocker	1
22	52969A	Screw, 10-32 x 3/8 HHTR w/Star	4
23	52970A	Cord, 25' 18/3	1
24	52971A	Strain Relief, 1/2 NPT Trumpet	1
25	52972A	Rivet, 1/8 OD x 3/8 Grip	2
26	52973A	Keeper, Tension Latch	1
27	52974A	Screw, 10-32 x 1 PPHMS GRN	1
28	52975A	Plate, Switch/Cord Spotter	1
29	52976A	Nut, 1/2 Conduit	1

**Clarke®**  
**Image Mini Spot**  
**Labels and Parts List**  
**12/02**



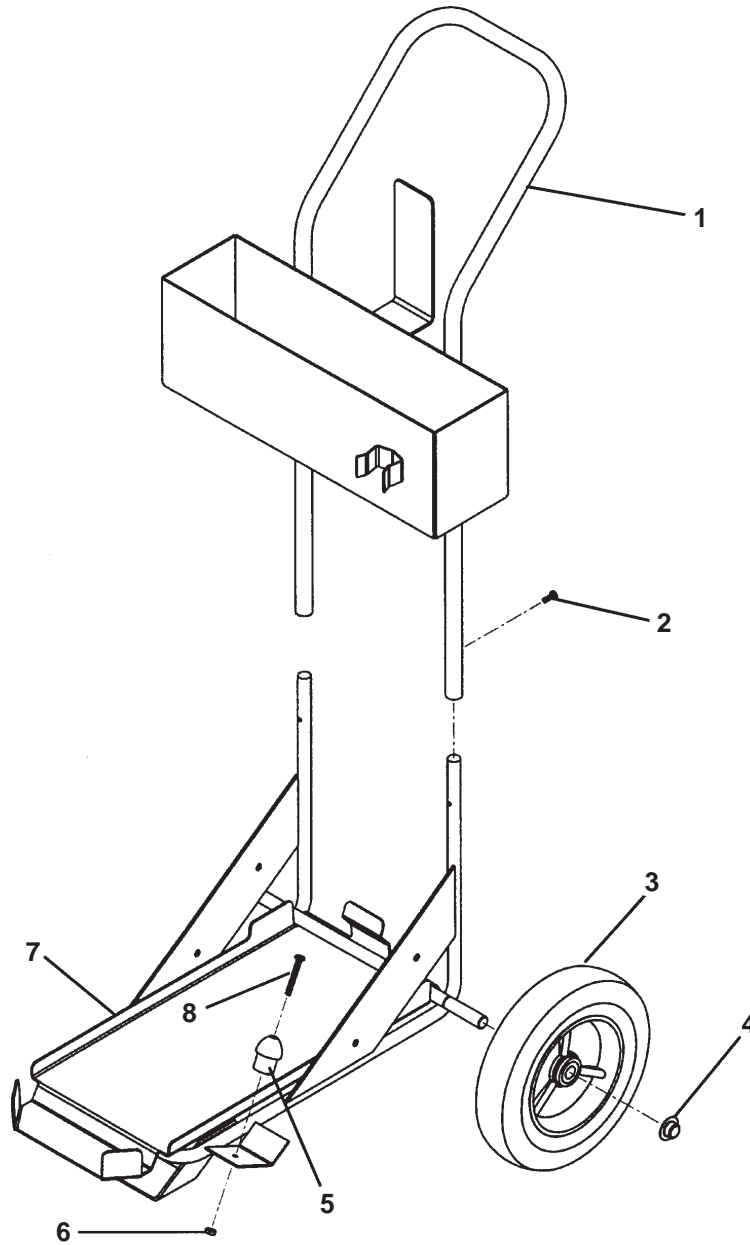
Ref.	Part No.	Description	Qty
1	52977A	Label, ALTO	1
2	52978A	Label, Image Mini Spot	2
3	52979A	Label, Clarke	2
4	52980A	Label, For Safety	1
5	52981A	Label, ON/OFF VAC/PUMP	1
6	52982A	Label, Warning	1

**Clarke®**  
**Image Mini Spot**  
**Hand Tool and Parts List**  
**12/02**



Ref.	Part No.	Description	Qty
1	55179A	Housing, Handtool Spotter	1
2	52983A	Clamp DHT Valve	1
3	52984A	Hose Asm. Hose/Cuff Connector	1
4	737141	Nipple, 1/8 FPT QD Fem. Brass	2
5	54177A	Jet, Asm w/o Ring	1
6	962802	Screw, 8-32 x 1/4 PHST PLTD	1
7	57011A	Plate, Retainer w/Screws	1
8	56123A	Manifold, Spotter 3/16	1
9	54060A	Fitting, 1/8 MPT x 3/16 Comp.	1
10	59618A	Valve Asm., Spotter Plastic	1
11	737140	Nipple, 1/8 FPT QD Male Brass	1
Kit	59231R	Spotter Hand Tool (entire asm. as kit)	1

**Clarke®**  
**Image Mini Spot**  
**Cart and Parts List**  
**12/02**



Ref.	Part No.	Description	Qty
1	61690A	Handle Weldment, Cart	1
2	85520A	Screw, 8-00 x 1/2 Pan Head	2
3	59951A	Wheel, 8"	2
4	920346	Pinnut	2
5	50007A	Bumper, Recessed	1
6	81110A	Nut Hex, Elastic Lock, 10-24	1
7	61689A	Chassis Weldment, Cart	1
8	962862	Screw, 10-24 x 1/2 PN ST	1
Kit	11678A	Cart (entire asm. as kit)	1

# ALTO<sup>®</sup> PRODUCT SUPPORT BRANCHES

## U. S. A. Locations

### HEAD OFFICE

ALTO U.S. Inc., St. Louis, Missouri  
16253 Swingley Ridge Road, Suite 200  
Chesterfield, Missouri 63017-1725

### PRODUCTION FACILITIES

**Clarke<sup>®</sup>**, Springdale, Arkansas  
2100 Highway 265  
Springdale, Arkansas 72764  
(479) 750-1000  
**Customer Service - 1-800-253-0367**  
**Technical Service - 1-800-356-7274**

**American Lincoln<sup>®</sup>**, Bowling Green, Ohio 43402  
1100 Haskins Road

### SERVICE FACILITIES

**Clarke<sup>®</sup>**, Carlstadt, New Jersey 07072  
150 Commerce Road  
(201) 460-4774

**Clarke<sup>®</sup>**, Elk Grove, Illinois 60007  
2280 Elmhurst Road  
(847) 956-7900

**Clarke<sup>®</sup>**, Denver, Colorado 80204  
1955 West 13th Ave.  
(303) 623-4367

**Clarke<sup>®</sup>**, Houston, Texas 77040  
7215 North Gessner Road

### SALES AND SERVICE FACILITIES

**American Lincoln<sup>®</sup> / Clarke<sup>®</sup>**, Madison Heights,  
Michigan 48071-0158  
29815 John R.  
(810) 544-6300

**American Lincoln<sup>®</sup> / Clarke<sup>®</sup>**, Marietta, Georgia 30062  
1355 West Oak Common Lane  
(770) 973-5225

---

**Clarke<sup>®</sup>**  
**Clarke American Sanders**  
**A.L. Cook**  
**Customer Service Headquarters and Factory**  
2100 Highway 265  
Springdale, Arkansas 72764  
(479) 750-1000

**Technical Service**  
1-800-356-7274

## European Locations

### PRODUCTION FACILITIES

ALTO Danmark A/S, Aalborg  
Blytaekervej 2  
DK-9000 Aalborg  
+45 72 18 21 00

ALTO Danmark A/S, Hadsund  
Industrikvarteret  
DK-9560 Hadsund  
+45 72 18 21 00

### SALES SUBSIDIARIES

**Clarke<sup>®</sup>** Canada Ltd., Rexdale Ontario  
24 Constellation Ct.  
(416) 675-5830

ALTO Overseas Inc., Sydney (Australia)  
1B/8 Resolution Drive  
Caringbah NSW 2229  
+61 2 9524 6122

ALTO Cleaning Systems Asia Pte Ltd., Singapore  
No. 17 Link Road  
Singapore 619034  
+65 268 1006

ALTO Deutschland GmbH, Bellenberg (Germany)  
Guido-Oberdorfer-Straße 2-8  
89287 Bellenberg  
+49 0180 5 37 37 37

ALTO Cleaning Systems (UK) Ltd., Penrith  
Gilwilly Industrial Estate  
Penrith  
Cumbria CA11 9BN  
+44 1768 868 995

ALTO France S.A. Strasbourg  
B.P. 44, 4 Place d'Ostwald  
F-67036 Strasbourg  
Cedex 2  
+33 3 8828 8400

ALTO Nederland B.V. Vianen  
Stuartweg 4C  
NL-4131 NJ Vianen  
+31 347 324000

ALTO Sverige AB, Molndal (Sweden)  
Aminogatan 18  
Box 4029  
S-431 04 Molndal  
+46 31 706 73 00

ALTO Norge A/S, Oslo (Norway)  
Bjernerudveien 24  
N-1266  
+47 2275 1770

## **Clarke® WARRANTY**

This Clarke Industrial Commercial Product is warranted to be free from defects in materials and workmanship under normal use and service for a period of one year from the date of purchase, when operated and maintained in accordance with Clarke's Maintenance and Operations instructions.

This warranty is extended only to the original purchaser for use of the product. It does not cover normal wear parts such as electrical cable, rubber parts, hoses and motor brushes.

If difficulty develops with the product, you should:

(a). Return the product to the nearest Clarke repair location. Transportation charges to and from the repair location must be prepaid by the purchaser.

(b). Clarke will repair the product and or replace any defective parts without charge within a reasonable time after receipt of the product.

Clarke's liability under this warranty is limited to repair of the product and/or replacement of parts and is given to purchaser in lieu of all other remedies, including INCIDENTAL AND CONSEQUENTIAL DAMAGES.

THERE ARE NO EXPRESS WARRANTIES OTHER THAN THOSE SPECIFIED HEREIN. THERE ARE NO WARRANTIES WHICH EXTEND BEYOND THE DESCRIPTION OF THE FACE HEREOF. NO WARRANTIES, INCLUDING BUT NOT LIMITED TO WARRANTY OF MERCHANTABILITY, SHALL BE IMPLIED.

Clarke, 2100 Highway 265, Springdale, Arkansas 72764.

**Clarke reserves the right to make changes or improvements to its machine without notice.  
Always use genuine Clarke Parts for repair.**

# **Clarke®**

Division of  
**ALTO**

**2100 Highway 265  
Springdale, Arkansas, 72764**