



Electronic Service Manuals

This electronic document is provided as a service to our customers. We do not create the contents of the information contained in this document. Should you have detailed questions pertaining to the information contained in this document, you may contact Michco, or the manufacturer which provided the original information in this electronic deliverable. Michco's only part in this electronic deliverable was the electronic assembly process. By providing this manual on line we are not guaranteeing parts availability.

You may contact Michco through the following methods:

Phone (517) 484-9312 or (800) 331-3339

2011 N. High St. -- Lansing, Michigan -- 48906

Fax: (517) 484-9836

Email: CustServe@Michco.com

Web site: www.Michco.Com

Parts Web site: www.FloorMachineParts.Com

Order Parts on Line at:

www.FloorMachineParts.Com

Directly to Parts & Service:

By Email: **Shop@Michco.com**

By Fax: (517) 702-2041

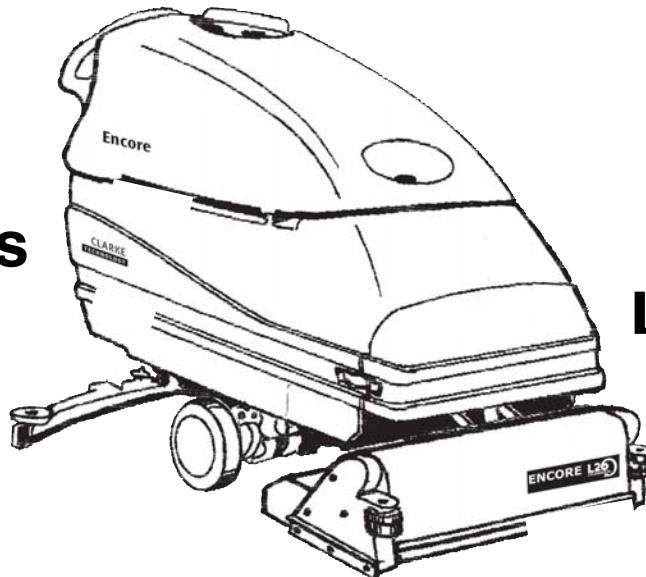
By Voice: Use numbers above.

Serving the Cleaning Industry Since 1922

Notice: All copyrighted material remains property of original owners, all trademarks are property of respective owners. Manuals are subject to Manufacturer's reproduction limitations. Originals or reproductions were provided by manufacturers through a request. We make no warranty as to the correctness of information provided in this document and you assume all risk. By placing these manuals on line we are not declaring our corporation to be an manufacturer authorized dealer or provider, please check our web site for authorized manufacturers we represent.

Clarke®

Operator's Manual



ENCORE L26 Cylindrical

U.S. Patent No. 6,760,947; No. 6,105,192; No. 5,383,251; No. 6,557,207

READ THIS BOOK

▲ CAUTION: Read the Operator's Manual before using the appliance.

This book has important information for the use and safe operation of this machine. Failure to read this book prior to operating or attempting any service or maintenance procedure to your Clarke machine could result in injury to you or to other personnel; damage to the machine or to other property could occur as well. You must have training in the operation of this machine before using it. If operator(s) cannot read this manual, have it explained fully before attempting to operate this machine.

Si Ud. o sus operadores no pueden leer el Inglés, se hagan explicar este manual completamente antes de tratar el manejo o servicio de esta máquina.

All directions given in this book are as seen from the operator's position at the rear of the machine.

For new books write to: Clarke®, 2100 Highway 265, Springdale, Arkansas 72764.

Table of Contents

Operator Safety Instructions	3
Introduction & Machine Specifications	5
Procedures for Transporting Machine	6
Symbols Used on Encore L26 Cylindrical	8
Machine Control Panel	10
Machine Controls and Features	11
How to Prepare the Machine for Operation	12
How to Install the Batteries	12
Battery Maintenance	13
How to Charge the Batteries	14
How to Change or Rotate Brushes	15
How to Operate the Machine	16
How to Operate the Squeegee	16
Filling the Solution Tank	16
Operating the Machine	17
How to Clean a Floor	17
How to Clean a Very Dirty Floor	18
Maintenance	19
Procedures Before Work is Began	19
Procedures to Perform at the End of Work	20
Procedures to Perform Every Week	21
Maintenance for the Squeegee	22
How to Adjust the Squeegee	23
How to Center or Off Set Brush Head	24
How to Level the Cylindrical Brush Head	25
Accessories	26

SECTION II - Parts and Service Manual




How to Correct Problems in the Machine	28
Encore L26 Cylindrical Final Assembly Drawing	30
Parts List	31
Recovery Tank Drawing	32
Parts List	33
Solution Tank Assembly Drawing	34
Parts List	35
Rear Panel Assembly Drawing	36
Parts List	37
Control Panel Assembly Drawing	38
Parts List	39
Squeegee Lift Assembly Drawing	40
Parts List	41
Squeegee Assembly Drawing	42
Parts List	43
Frame Axle Assembly Drawing	44
Parts List	45
Brush Head Assembly Drawing	46
Parts List	47
Optional Brake Drawing and Parts List	48
Transaxle Drawing	49
Battery Charger (40512A & 40513A) Drawing and Parts List	50
Battery Charger (40512B & 40506B) Drawing and Parts List	51
Connection Diagram	52
Electrical Schematic	53










OPERATOR SAFETY INSTRUCTIONS











 **WARNING**

 **AVERTISSEMENT**

 **ADVERTENCIA**

-  **DANGER:** Failure to read and observe all **DANGER** statements could result in severe bodily injury or death. Read and observe all **DANGER** statements found in your Owner's Manual and on your machine.
-  **WARNING:** Failure to read and observe all **WARNING** statements could result in injury to you or to other personnel; property damage could occur as well. Read and observe all **WARNING** statements found in your Owner's Manual and on your machine.
-  **CAUTION:** Failure to read and observe all **CAUTION** statements could result in damage to the machine or to other property. Read and observe all **CAUTION** statements found in our Owner's Manual and on your machine.

-  **DANGER:** Failure to read the Owner's Manual prior to operating or attempting any service or maintenance procedure to your Clarke machine could result in injury to you or to other personnel; damage to the machine or to other property could occur as well. You must have training in the operation of this machine before using it. If you or your operator(s) cannot read English, have this manual explained fully before attempting to operate this machine.
-  **DANGER:** Operating a machine that is not completely or fully assembled could result in injury or property damage. Do not operate this machine unless it is completely assembled. Inspect the machine carefully before operation.
-  **DANGER:** Machines can cause an explosion when operated near flammable materials and vapors. Do not use this machine with or near fuels, grain dust, solvents, thinners, or other flammable materials. This machine is not suitable for picking up hazardous dust. Use only commercially available floor cleaning waxes intended for machine operation.
-  **DANGER:** Lead acid batteries generate gases which can cause an explosion. Keep sparks and flames away from batteries. Do not smoke around the machine. Charge the batteries only in an area with good ventilation. Make sure that the AC charger plug is unplugged from the wall receptacle before connecting or disconnecting the DC plug to or from the battery pack.
-  **DANGER:** Working with batteries can be dangerous! Always wear eye protection and protective clothing when working near batteries. Remove all jewelry. Do not put tools or other metal objects across the battery terminals, or the tops of the batteries.
-  **DANGER:** Using a charger with a damaged power cord could result in an electrocution. Do not use the charger if the power cord is damaged.
-  **WARNING:** Operating this machine from anywhere other than the back of the machine could result in injury or damage. Operate this machine only from the rear.
-  **WARNING:** This machine is heavy. Get assistance before attempting to transport or move it. Use two able persons to move the machine on a ramp or incline. Always move slowly. Do not turn the machine on a ramp. Do not use on surfaces having a gradient exceeding that marked on the appliance. Read the "Procedures For Transporting" in this manual before transporting as machine might topple over if not secured.
-  **WARNING:** Machines can topple over and cause injury or damage if guided over the edges of stairs or loading docks. Stop and leave this machine only on a level surface. When you stop the machine, put all switches into their "OFF" position. Turn the key switch "OFF" and remove the key.

-  **WARNING:** Maintenance and repairs performed by unauthorized personnel could result in damage or injury. Maintenance and repairs must be performed by authorized Clarke personnel only.
-  **WARNING:** Any alterations or modifications of this machine could result in damage to the machine or injury to the operator or other bystanders. Alterations or modifications not authorized by the manufacturer voids any and all warranties and liabilities.
-  **WARNING:** Electrical components of this machine can "short-out" if exposed to water or moisture. Keep the electrical components of the machine dry. Wipe the machine down after each use. This appliance is for dry use only and is not to be used or stored outdoors in wet conditions.
-  **WARNING:** Operating a machine without observing all labels and instructional information could result in injury or damage. Read all machine labels before attempting to operate. Make sure all of the labels and instructional information are attached or fastened to the machine. Get replacement labels and decals from your Clarke distributor.
-  **WARNING:** Wet floor surfaces can be slippery. Water solutions or cleaning materials used with this type of machine can leave wet areas on the floor surface. These areas can cause a dangerous condition for the operator or other persons. Always put "Caution" signs around/near the area you are cleaning.
-  **WARNING:** Improper discharge of waste water may damage the environment and be illegal. The United States Environmental Protection Agency has established certain regulations regarding discharge of waste water. City, state and national regulations regarding this discharge may also be in effect in your area. Understand and follow the regulations in your area. Be aware of the environment hazards of chemicals that you dispose.
-  **WARNING:** Only use the brushes provided with the appliance or those specified in the Operator's Manual. The use of other brushes may impair safety.
-  **CAUTION:** Use of this machine to move other objects or to climb on could result in injury or damage. Do not use this machine as a step or furniture. Do not ride on this machine.
-  **CAUTION:** Your machine warranty will be voided if anything other than genuine Clarke parts are used on your machine. Always use Clarke parts for replacement.
-  **CAUTION:** This machine contains lead acid batteries. The batteries must be disposed of in an environmentally acceptable manner.

Introduction & Machine Specifications

Introduction & Machine Specifications

Clarke's newly designed Encore L26 Cylindrical automatic scrubber is an efficient and superior floor cleaning machine. The Encore uses two brushes to scrub and sweep a path 26 inches wide. A squeegee wipes the floor while the vacuum motor removes the dirty solution from the floor - all in one pass.

The Encore L26 Cylindrical comes complete with four - 6 volt batteries, one battery charger, two brushes and one operator's manual.

SPECIFICATIONS:

Model	Encore L26 Cylindrical
Machine Power Supply	24 Volt D.C., (4) 6V 250 AH Deep Cycle Batteries or (4) 6V 330 AH Deep Cycle Batteries
Pad or Brush 2 per machine	26" Cylindrical
Traverse	0.5 hp (0.4 kW) Transaxle
Traverse Forward Speed	Variable to 250 ft./min (76 m/min)
Traverse Reverse Speed	Variable to 190 ft./min. (58 m/min)
Battery Protection	Low Voltage
Motor Vacuum	3/4 HP, 3 stage, Acoustical High Efficient Tangential
Solution Tank	20 Gallons (76 liters)
Solution Level	Calibrated level indicator on rear of machine
Recovery Tank	20 Gallons (76 liters)
Recovery Full Indicator	Electric Shut-Off
Parabolic Squeegee	Swing type with breakaway feature, No tool operation feature 32 inches (81 cm) hard width with 34 inches (86 cm) flex blade width.
Squeegee Operation	Reverse direction on floor and 3 - position manual lever style operation
Cleaning Swath	26 inch (66 cm)
Motor, Brush	(2) 0.75 HP (0,56 kW)
Brush / Pad Size	(2) 4 inch (10 cm)
Brush Speed	1000 RPM
Brush Pressure	0-100 lbs. / 0-45 kg.
Brush Solution Retention	Fiber Bristles
Drive Wheels	(2) 8 in. x 2 in. (20 cm x 5 cm) Neoprene tread
Caster	Dual 4 in. x 2 in. (10 cm x 5 cm)
Charger	24 V D.C., 25 Amp, 115/60 or 24 V D.C., 25 Amp, 230/50
Grade Cleaning	5 Degree (6%)
Length	56 inches (142 cm)
Width	28 inches (71 cm)
Height	43 inches (109 cm)
Weight	871 lb / 395 kg
Line of Sight (from Operator Height): 68 inches (173 cm)	7.5 feet (2.3 m)
Warranty	Machine 3 Years, Polydur tanks- 8 years Batteries- 18 months, pro-rated
Noise	71 dBA
Vibration	< 2.5 m/s ²

Procedures For Transporting

How to Put the Machine Into a Van or Truck

⚠ WARNING: This machine is heavy. Get assistance before attempting to transport or move it. Use two able persons to move the machine on a ramp or incline. Always move slowly. Do not turn the machine on a ramp. Do not stop and leave the machine on a ramp or incline. The loading ramp must be a minimum of 32" wide.

⚠ WARNING: Machines can topple over if guided over the edges of stairs or loading docks and cause injury or damage. Stop and leave this machine only on a level surface. When you stop the machine, put all switches into their "OFF" position.

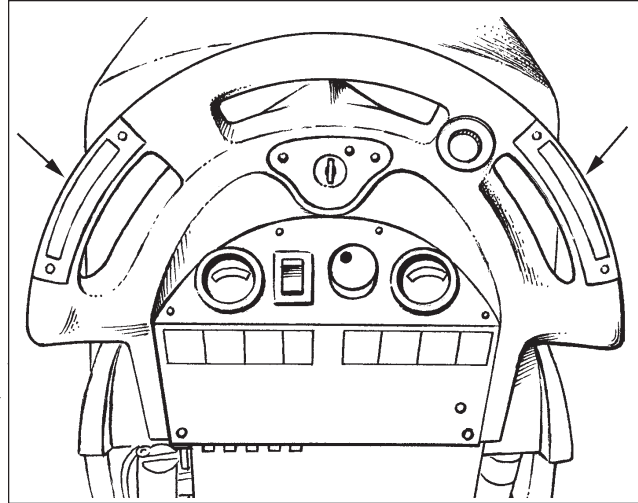


Figure #1

1. Make sure the loading ramp is at least eight (8) feet (2.5m) long and a minimum of 32" (0.8m) wide, and strong enough to support the machine.
2. Make sure the ramp is clean and dry.
3. Put the ramp in position.
4. Remove squeegee assembly, brush housing and brush or pad driver before loading. Clarke recommends that both the solution tank and recovery tank are empty before loading.
5. Turn key switch "ON".
6. Align the machine on a level surface five (5) feet (2 m) in front of the ramp.
7. Put the traverse knob at full speed.
8. Push in either one of the forward/reverse switches while pushing in the white reverse switch. Back the machine up the ramp. See figure 1.
9. Turn the key switch "OFF".

Procedures For Transpoting (cont.)

11. **Fasten the machine to the vehicle.** Clarke recommends a strap over the top of the machine and a strap to keep the machine from rolling forward or backwards. If this is not done, there is a possibility of the machine toppling over. Four tie down points (2 along each side of frame) are provided on machine for securing machine.

How to Remove the Machine From a Van or Truck

1. Make sure there are no obstructions in the area.
2. Make sure the unloading ramp is at least eight (8) feet (2.5m) long and a minimum of 32" (0.8m) wide, and strong enough to support the machine.
3. Make sure the ramp is clean and dry.
4. Put the ramp in position.
5. Unfasten the machine.

⚠ WARNING: The machine is heavy. Make sure you use two able persons to assist in moving the machine down the ramp.

6. Turn the key switch "ON".
7. Set the traverse center knob to the slowest forward speed setting. Carefully and slowly, drive the machine to the top of the ramp and start down.
8. While pushing in the right or left forward/reverse switch the machine will go forward. See figure 2.
9. As the machine begins to travel down the ramp, push in the forward/reverse switch to maintain a slow downward speed.
10. Replace squeegee assembly, brush housing, and brush or pad driver after machine is unloaded and ready to use.

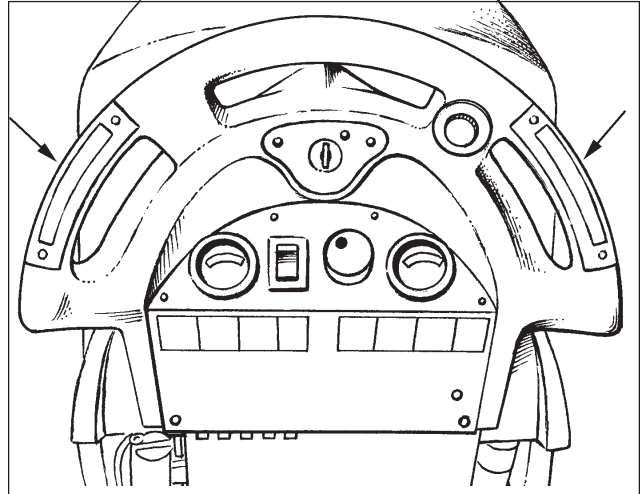
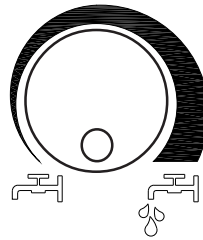


Figure #2

SYMBOLS USED ON ENCORE L26 CYLINDRICAL



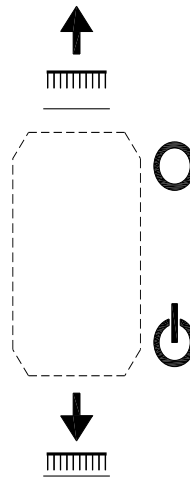
Warning



Solution Control



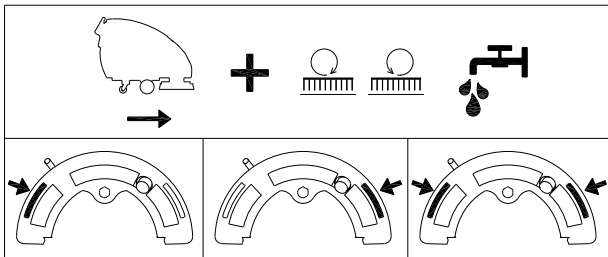
Power



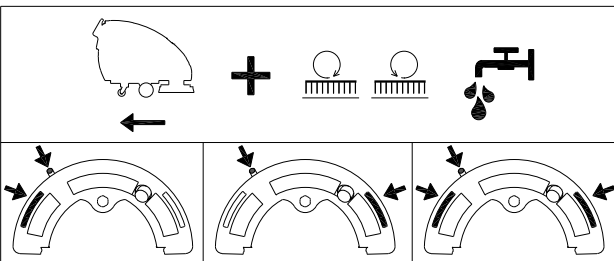
Brush Up/Down



Traverse Speed Control



**Traverse Directions Forward
(Traverse and Solution, and Brush Rotation)**



**Traverse Directions Reverse
(Traverse and Solution, and Brush Rotation)**

SYMBOLS USED ON ENCORE L26 CYLINDRICAL



Warning Label
with parking brake



Warning Label
without parking brake

Machine Control Panel

Key Switch (See Figure 3, Item "A")

The key switch turns "ON" the power to the control panel. "O" is "OFF" and "I" is "ON".

Forward Reverse Switch (See Figure 3, Item "B")

The forward/reverse switch turns the traverse motor "on" forward and if the brush motors are in the down position, activates the brush motors/solution control module. There is a two second delay for the pad motor to stop after releasing the switch. Either the right or the left switch can be used. Use either switch in conjunction with the white reverse switch to reverse the traverse motor.

Battery Meter (See Figure 3, Item "C")

The battery meter indicates the relative charge on the battery pack. Do not continue to run the machine when the needle is in the "red" area. This will shorten the life of the battery pack.

Brush Pressure Meter (See Figure 3, Item "D")

The brush pressure meter indicates the relative amount of pressure the brushes are putting on the floor. To maximize run time on a battery charge, keep the needle towards the center of the green area.

Reverse Switch (See Figure 3, Item "E")

The reverse switch, when used in conjunction with one of the forward/reverse switches, causes the machine to reverse directions. The reverse speed is 70% of the forward speed.

Hour Meter (Not Illustrated) (Option)

The hour meter indicates the number of hours the machine has operated. It runs only when the brush motor is on.

Circuit Breakers (See Fig 3, Items "F", "G", "H", "I" & "J")

The circuit breaker reset buttons are located on the rear cover. The breakers are located as follows:

- Item F - Actuator Head (5 amp)
- Item G - Vacuum Motor (30 amp)
- Item H & I - Brush Motor (25 amp)
- Item J - Traverse Motor (25 amp)

If a circuit breaker trips, determine which motor is not operating and turn the key switch "OFF". Wait five minutes and push the reset button back in. Turn the key switch "ON" and try again. An authorized service person should be contacted if the breaker trips again.

Control Handles (See Figure 3, Item "K")

The control handles are located at the rear of the machine. They are used to guide the machine.

Solution Control Knob (See Figure 3, Item "L")

The solution control knob regulates the flow of chemical solution to the floor. To increase the flow, turn knob clockwise. To decrease the flow, turn counter clockwise. Full counter clockwise is OFF and full clockwise is ON.

Traverse Speed Knob (See Figure 3, Item "M")

To increase speed, turn knob clockwise.

Brush Motor Switch (See Figure 3, Item "N")

To activate brush motor, push brush position switch to down position. Brush Motor and solution flow will activate when the traverse buttons are pushed. To shut brush motor off, hold brush position switch in up position until actuator stops.

Vacuum Motor Switch (See Figures 4 & 5, pg. 11)

To activate vacuum motor, lower squeegee handle. Handle has two positions. Lowest position is operating position and the middle position is transport to clear vacuum hose.

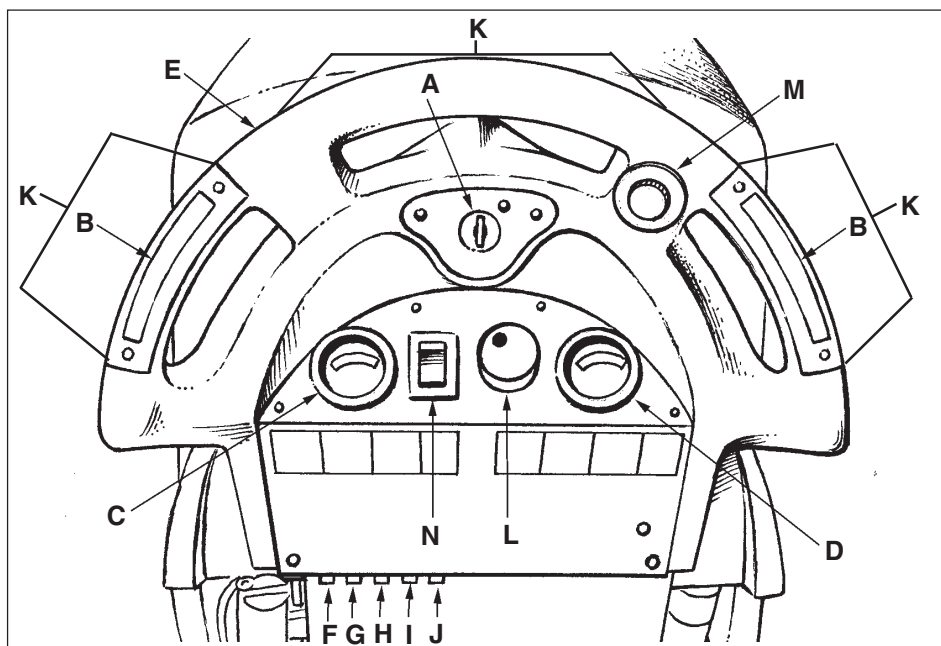


Figure 3

Machine Controls and Features

Squeegee Lift Handle, See Figures 4 and 5

The squeegee lift handle is located below the control handles in the center. It is used to raise or lower the squeegee. The vac motor is turned on when the handle is lowered to either the first or last position.

Float Shut Off, See Figure 6

The shut-off switch for the vac motor is located in the recovery tank. It automatically turns off the vac motor when the recovery tank is full. **NOTE: If excessive foaming occurs in recovery tank, defoamer must be added. Damage to vacuum motor could result from foam.**

Parking Brake (Optional), See Figure 7

NOTE: Parking Brake must be used if operating machine on greater than 2% gradient.

The parking brake prevents movement of the machine.

⚠ CAUTION: Do not activate the parking brake while the machine is moving.

The brake is located on the right hand side of the machine on the transaxle motor. Turn the key switch off or disconnect the power to the battery to apply the brake.

There is a mechanical lever located on the brake. This lever is an override. To manually release the brake, rotate the lever clockwise. To return the brake to normal or to apply the brake, rotate the lever up counter clockwise.

NOTE: If the lever is left in the override position, the brake will not function with the key switch, and the machine will not operate.

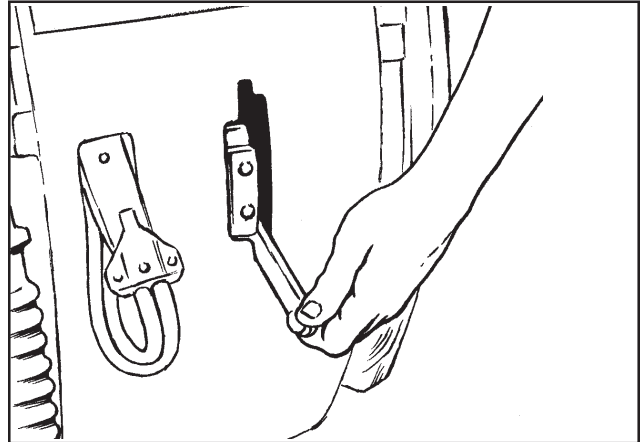


Figure 4

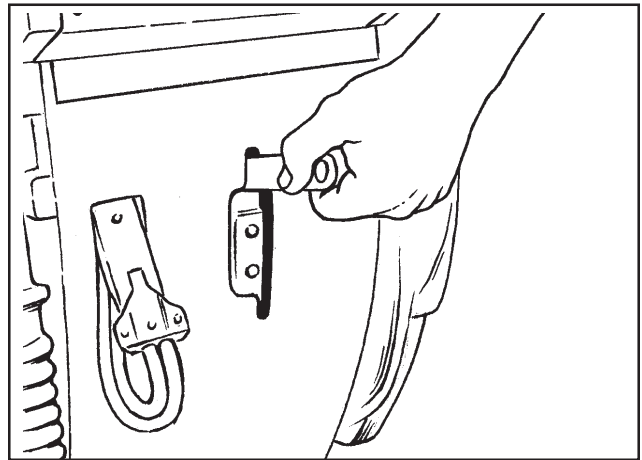


Figure 5

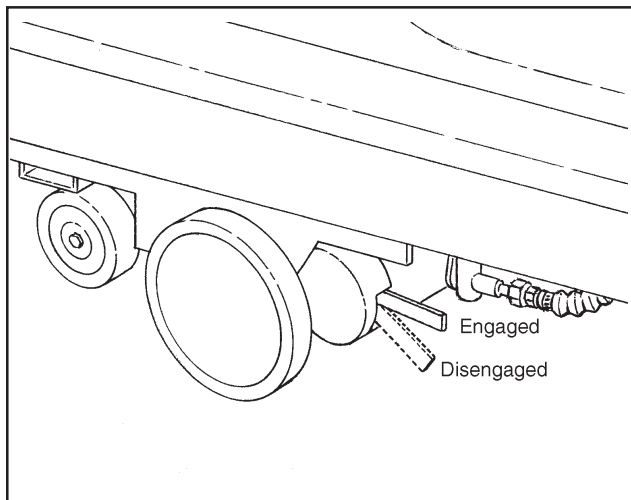


Figure 7

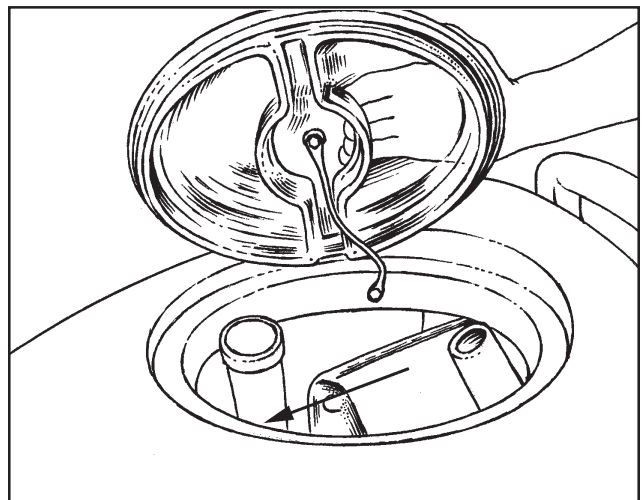


Figure 6

How To Prepare the Machine For Operation

How To Install The Batteries

The Encore machines uses either two 12-volt batteries or four - 6 volt batteries. The batteries are located in the battery compartment under the recovery tank.

To install the batteries, follow this procedure:

1. Turn machine off. Set brake (if equipped).
2. Make sure recovery tank is empty.
3. Tip up the recovery tank until it locks in the full open position. See figure 8A.

CAUTION: Before raising the tank, be sure tank is empty.

NOTE: There is an intermediate position available for holding the recovery tank open for charging batteries. See figure 8B.

WARNING: Do not operate or perform maintenance on the machine while the recovery tank is in the intermediate position. The tank can be accidentally bumped and it may slam shut.

4. Place the batteries in the tray as shown in figure 8C.

WARNING: The batteries are heavy. Lifting batteries without help could result in an injury. Get help to lift the batteries.

WARNING: Working with batteries can be dangerous. Always wear eye protection and protective clothing when working near batteries. **NO SMOKING!**

5. Connect the cables between batteries and install long battery cable assembly as indicated. See figure 8C.
6. Join the connector from the battery pack to the connector on the control panel. See figure 9.
7. Close recovery tank by pulling up on the latch arm and then slowly lowering the tank.

NOTE: Charge the batteries before using the machine.

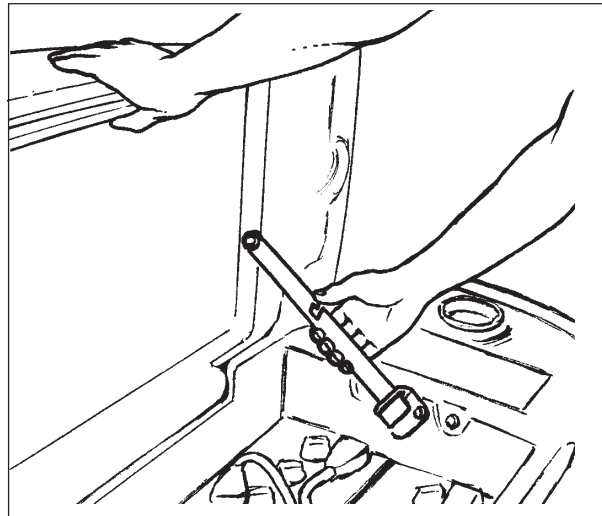


Figure 8A

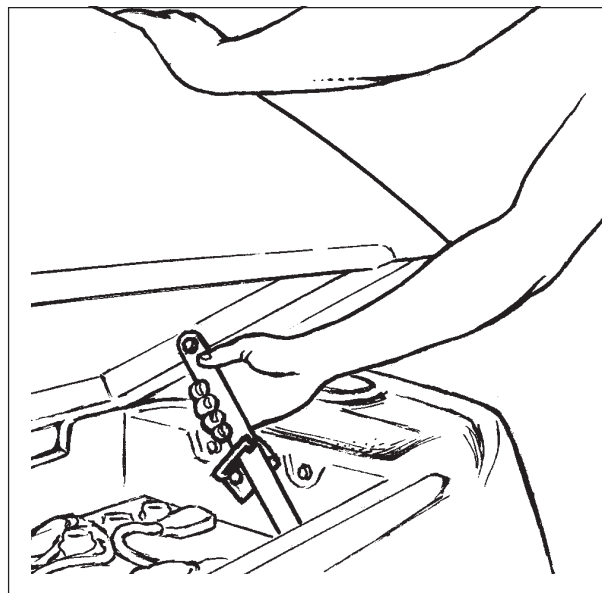


Figure 8B

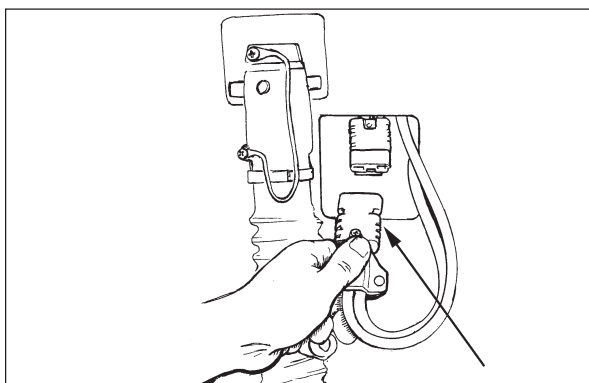


Figure 9

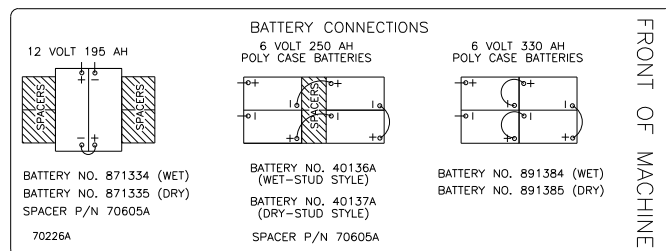


Figure 8C

How To Prepare the Machine For Operation

Battery Maintenance

The electrical power to operate the machine comes from the storage batteries. Storage batteries need preventative maintenance.

⚠ WARNING: Working with batteries can be dangerous. Always wear eye protection and protective clothing when working near batteries. **NO SMOKING!**

To maintain the batteries in good condition, follow these instructions:

1. Keep the electrolyte at the correct level. The correct level is between 1/4" (1/2 cm) below the bottom of the tube in each cell and above the tops of the plates. Check the level of the electrolyte each time you charge the batteries. See figure 10.

NOTE: Check the level of electrolyte prior to charging the batteries. Be sure the plates in each cell are covered with electrolyte before charging. Do not top off the cells prior to charging the battery. Electrolyte expands during charging. As a result, the electrolyte could overflow from the cells. Always top off the cells with distilled water after charging.

⚠ CAUTION: Irreversible damage will occur to the batteries if electrolyte does not cover the plates. Keep the electrolyte at the correct level.

⚠ CAUTION: Machine damage and discharge across the tops of the batteries can occur if the batteries are over filled. Do not fill the batteries up to the bottom of the tube in each cell. Wipe any acid from the machine or the tops of the batteries. Never add acid to a battery after installation.

⚠ CAUTION: Batteries must be refilled with distilled water only. Do not use tap water as it may contain contaminants that will damage batteries.

2. Keep the tops of the batteries clean and dry. Keep the terminals and connectors clean. To clean the top of the batteries, use a damp cloth with a weak solution of ammonia or bicarbonate of soda solution. To clean the terminals and connectors, use a terminal and connector cleaning tool. Do not allow ammonia or bicarbonate of soda to get into batteries.

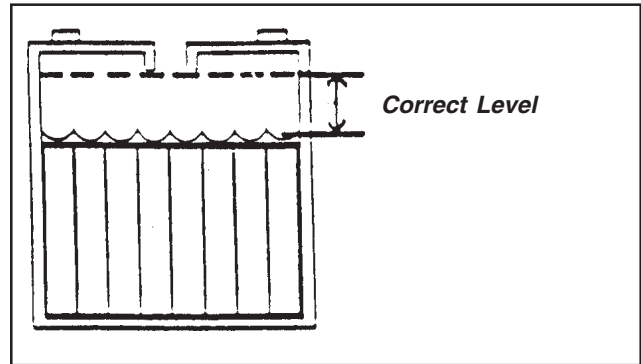


Figure 10

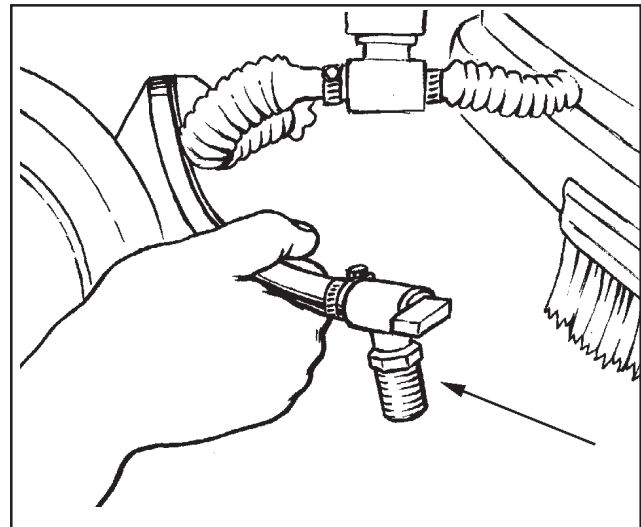


Figure 11

3. Keep the batteries charged.
4. To drain battery compartment: (See figure 11)
 - a. Always wear protective eye protection and protective clothing.
 - b. Add a weak solution of ammonia or bicarbonate of soda solution to battery compartment to neutralize any spilled acid.
 - c. Pull drain hose out from under transaxle.
 - d. Place hand behind flange and open valve.
 - e. When empty, close valve.
 - f. Replace valve and drain hose on top of transaxle.
 - g. Neutralize any acid spills with ammonia or bicarbonate of soda.

How To Prepare the Machine For Operation

How To Charge The Batteries

- ⚠ WARNING:** Charging the batteries in an area without adequate ventilation could result in an explosion. To prevent an explosion, charge the batteries only in an area with good ventilation.
- ⚠ WARNING:** Lead acid batteries generate gases which could explode. Keep sparks and flames away from batteries. **NO SMOKING!**
- ⚠ WARNING:** Failure to disconnect the AC plug from the wall receptacle before connecting or disconnecting the DC connector on the charger could result in an explosion. Always disconnect the AC plug from the wall receptacle before connecting or disconnecting the DC connector on the charger.

To charge the batteries, follow this procedure:

1. Put the charger on a flat surface. Make sure the vents on the sides are at least two inches away from walls and other objects. Make sure there are no objects near the vents on the bottom of the charger.
2. When key is off, brake is activated. Make sure key is off.
3. Before charging the batteries the battery compartment needs to be vented. To vent compartment, tip up the recovery tank until it locks in either of the two open positions. See figure 12. To close the tank, pull up on the latch arm and then slowly lower the tank to the closed position.

- ⚠ CAUTION:** Before raising tank, be sure tank is empty.

NOTE: There is an intermediate position available for holding the recovery tank open for charging batteries. See figure 13.

- ⚠ WARNING:** Do not operate or perform maintenance on the machine while the recovery tank is in the intermediate position. The tank can be accidentally bumped and it may slam shut.

To place the tank in the intermediate position, pull up on the latch arm while raising the recovery tank until it slips into the notch area of arm. While pulling up on the latch arm, carefully lower the recovery tank making sure it is securely locked into place. See figure 13. To release the latch arm, tip the recovery tank up slightly while pushing down on the latch arm and then slowly lower the tank.

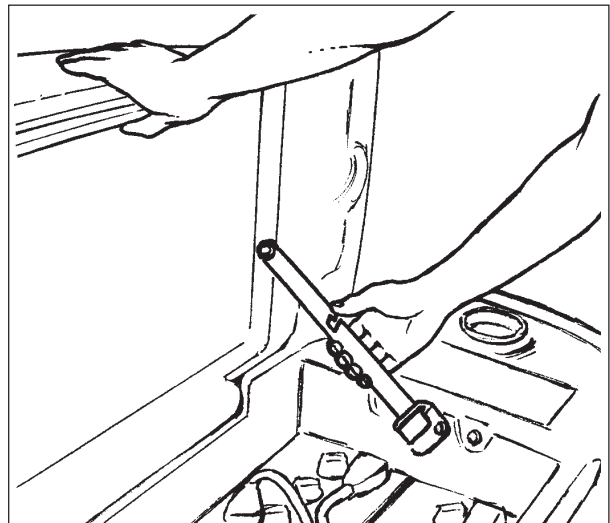


Figure 12

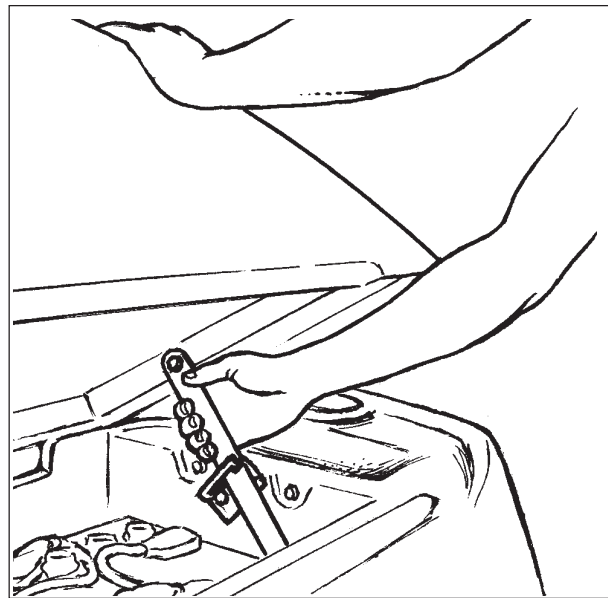


Figure 13

How To Prepare the Machine For Operation

4. Disconnect the battery pack connector from the control housing connector. See figure 14A.
5. Connect the DC connector on the charger to the battery pack connector. See figure 14B.
6. Connect the charger to a properly grounded single phase (3-wire) wall receptacle having the input voltage, frequency, and ampere capacity specified on the nameplate of the charger.

For more information on the use of the charger, read the instructions supplied with the charger.

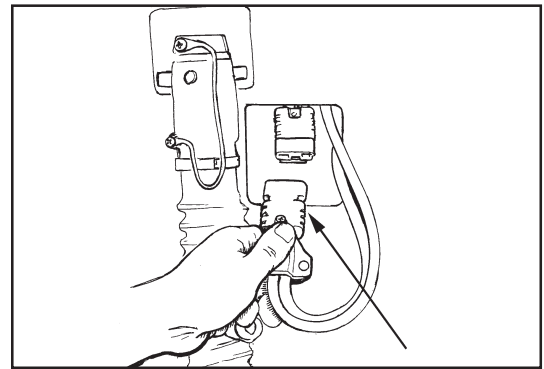


Figure 14A

How To Change or Rotate Brushes

To install or rotate brushes on the machine, follow this procedure:

1. Turn the key switch "ON".
2. Raise the brush head by pressing and holding the brush switch until brush head is in full up position,
3. Turn the key switch "OFF" and remove the key.
4. Go to the front of the machine and remove thumb screw from brush door (figure 15).
5. Lower door approximately 1/2 inch and slide door and bearing assembly off shaft (figure 16).
6. Remove brush spacer and brush by sliding off of brush shaft (figure 17).
7. Rotate brush or replace.
8. Slide brush on shaft and rotate slowly until drive pins are lined up with brush slots. Push brush all the way in.
9. Install brush spacer on shaft.
10. Slide brush door bearing assembly on shaft.
11. Raise door and install thumb screw.

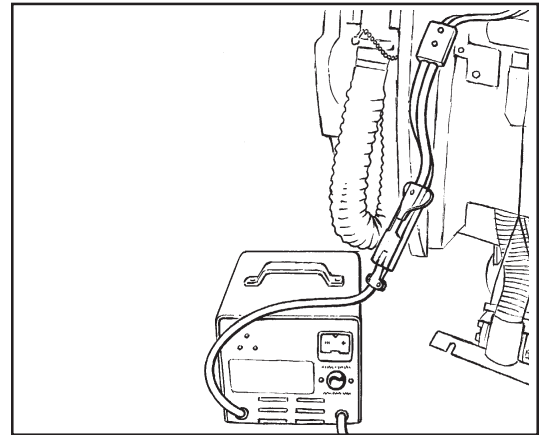


Figure 14B

⚠ DANGER: Operating a machine that is not completely or fully assembled could result in injury or property damage. Do not operate this machine unless it is completely assembled. Inspect the machine carefully before operation.

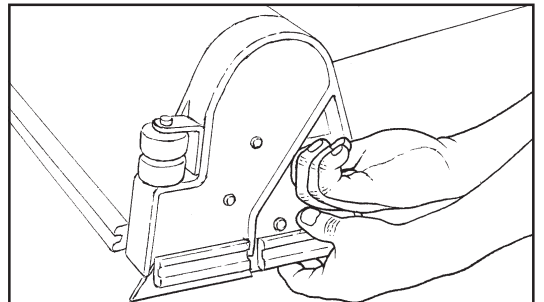


Figure 15

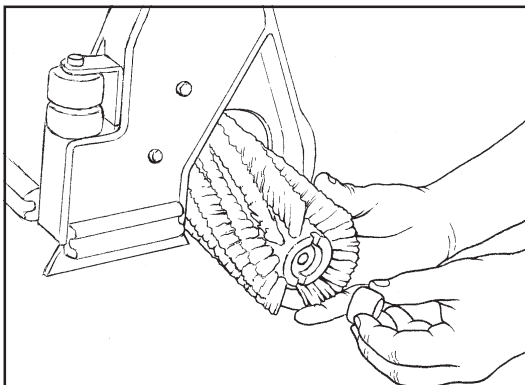


Figure 17

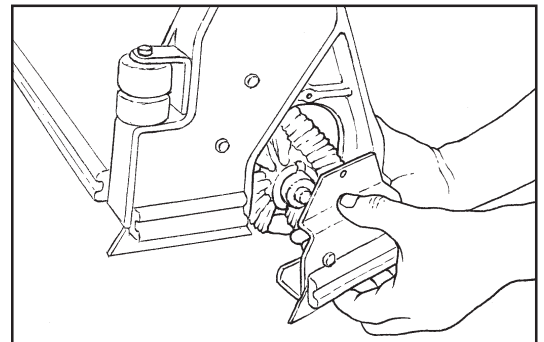


Figure 16

How To Operate The Machine

⚠ DANGER: Operating a machine that is not completely or fully assembled could result in injury or property damage. Do not operate this machine unless it is completely assembled. Inspect the machine carefully before operation.

How To Operate The Squeegee

The squeegee wipes the floor while the vacuum motor removes the dirty solution from the floor. Use your hand to lower or raise the squeegee handle. To operate the squeegee, follow this procedure:

1. To lower the squeegee and start the vacuum motor, move the squeegee lever to the right and down. See figure 18.
2. To raise the squeegee, lift the squeegee lever up. See figure 19.

NOTE: The center position lets the vacuum motor continue to run with the squeegee off the floor to avoid drips and also allows you to back up the machine.

How To Fill The Solution Tank

The solution tank can be filled in the front or through the clear drain hose at the rear of the machine (See figure 20). To fill the solution tank follow this procedure:

1. Add a cleaning chemical to the solution tank. For the correct amount of chemical, follow the directions shown on the container.
2. Fill the solution tank with water. When filling machine in the front with a hose, position hose inside the fill screen as shown in figure 20A.

When filling machine from the rear, position clear drain hose against bracket and insert hose as shown in figure 20B. Solution level can be viewed from the back of the machine.

⚠ WARNING: Water solutions or cleaning materials used with this type of machine can leave wet areas on the floor surface. These areas can cause a dangerous condition for the operator or other persons. Always put CAUTION signs near the area you are cleaning.

⚠ WARNING: Machines can ignite flammable materials and vapors. Do not use with or near flammables such as gasoline, grain dust, solvents and thinners. Only use a cleaning concentration recommended by the chemical manufacturer.

⚠ WARNING: Clarke recommends a maximum water temperature of 120°F (49°C).

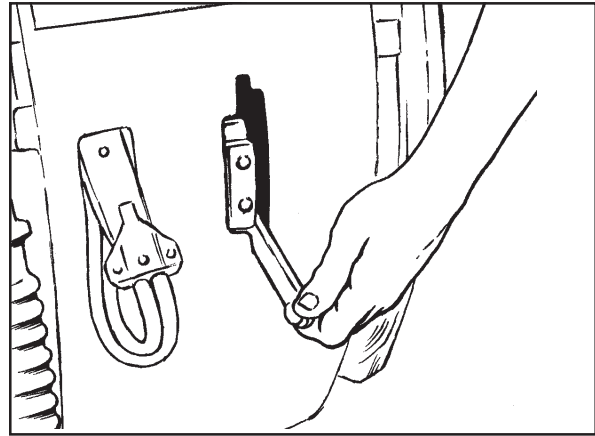


Figure 18

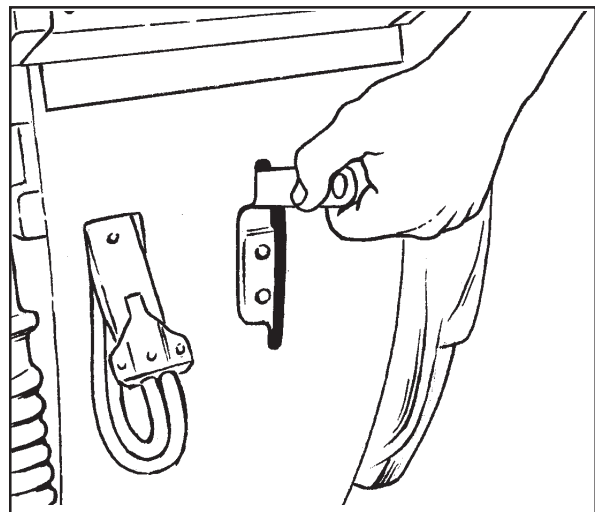


Figure 19

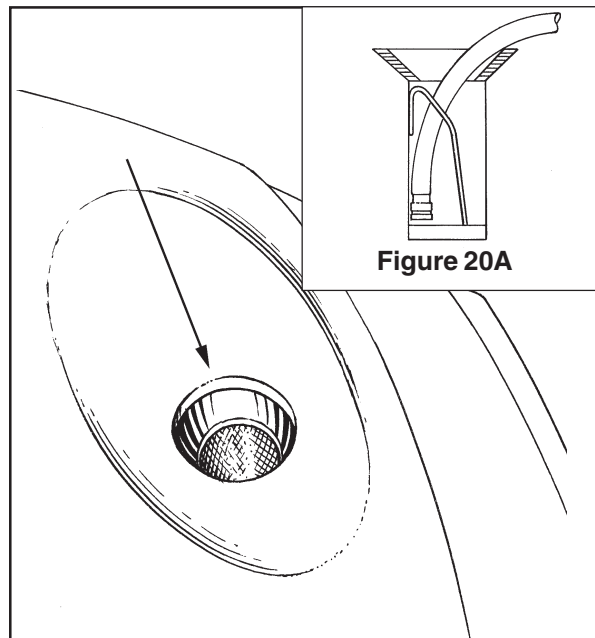


Figure 20A

Figure 20

How To Operate The Machine

Operating The Machine

NOTE: Put the machine in the lowest traverse speed setting. Use the machine in an area that has no furniture or objects until you can do the following:

1. Move the machine in a straight direction, forward and backward.
2. Stop the machine safely.
3. Turn the machine both left and right and return to a straight direction.

To move the machine, follow this procedure:

1. Release the parking brake (if equipped with machine).
2. Turn the key switch to the "ON" position
3. Raise the brush to the highest setting.
4. Raise the squeegee.
5. When either the left or right forward/reverse switches (figure 21, item A) are pushed in, the machine will go forward.
6. Control the speed of traverse by using the traverse speed control knob (figure 21, Item C).
7. To stop, release the forward/reverse switch.
8. To reverse the machine, push in the white reverse switch (figure 21 item B) and either the right or left forward/reverse switch (figure 21 item A) at the same time.
9. To stop, release the forward/reverse switch.
10. To turn the machine, push the rear of the machine to the side.
11. When you stop the machine, turn the key switch "OFF", remove the key and set the parking brake (if equipped).

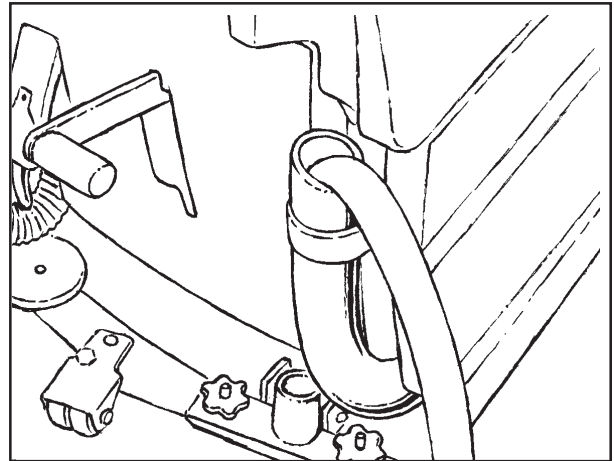


Figure 20B

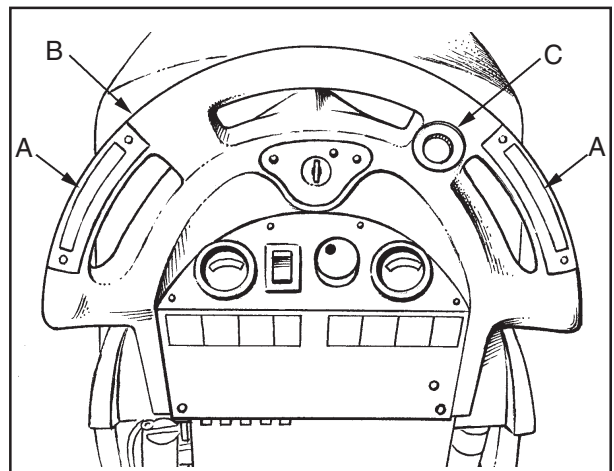


Figure 21

How To Clean A Floor

WARNING: Water solutions or cleaning materials used with this type of machine can leave wet areas on the floor surfaces. These areas can cause a dangerous condition for the operator or other persons. Always put CAUTION signs near the area you are cleaning.

To clean a floor follow this procedure:

1. Set the parking brake (if equipped with machine.)
2. Put the water and a cleaning chemical in the clean solution tank.
3. Release the parking brake (if equipped with machine.)
4. Turn the key switch "ON".
5. Lower the squeegee.
6. Activate the brush switch until correct pressure is achieved.

⚠ WARNING: This machine is capable of maximum head pressure with worn brushes. With this feature, there is the possibility of exceeding the recommended brush pressure on new brushes. This will either create reoccurring circuit breaker tripping or the possibility of lost traction and control. The brush switch should be activated to accomplish only enough brush pressure for the job. This will allow longer battery life and cleaning time.

NOTE: Keep the machine moving when the brushes are rotating on the floor. Pre-wet brushes or keep light pressure on brushes until solution flow is adequate to keep brushes from scratching the floor.

To pre-wet brushes you should first turn the speed knob to the lowest setting. Then lower brushes until brushes are just touching the floor. Activate the forward/reverse switch to start motor and solution flow.

7. Turn the solution knob to the right to activate the flow of solution. Adjust the flow of clean solution to the flow desired.
8. Move the machine across the floor in the forward direction.
9. Make a 180° turn.

NOTE: When you make more passes across the floor, let the brush clean approximately 2 inches (5 cm) of the area already cleaned by the brush.

NOTE: During most cleaning procedures, apply and remove the solution in one operation.

How To Clean A Very Dirty Floor

To clean a very dirty floor, follow this procedure:

1. Apply solution to the floor.
2. Do not lower the squeegee. This will keep the vacuum motor off.
3. Lower the brush or pad and scrub the floor.
4. Scrub the floor again with additional solution and lower the squeegee.
5. Pick up all the solution with the squeegee.

Maintenance

⚠ WARNING: Maintenance and repairs must be done by authorized personnel only.

⚠ WARNING: Always empty the solution tank and recovery tank before doing any maintenance.

⚠ WARNING: Keep all fasteners tight.

These Maintenance Procedures Must Be Done Every Day

Keep the machine clean, it will need fewer repairs and have longer life.

Do These Procedures When You Begin Your Work Period

1. Turn off key switch.
2. Disconnect AC power from battery charger (follow charger instructions).
2. Disconnect the plug on the battery charger from the battery pack connector.
3. Join the connector from the batteries to the control panel cable connection. See figure 22.
4. Make sure the Screen filter over the vacuum motor is clean and in position. See figure 24.
5. Make sure the recovery tank lid is on correctly. See figure 23, Item A.
6. Make sure the valve on the recovery drain hose is clean. Tightly close the valve.
7. Make sure the brushes are in position and installed correctly.
8. Make sure brush housings and skirts are in position on the brush head.
9. Check the installation of the squeegee and squeegee hose.
10. Make sure the solution drain / level indicator hose is secure on the storage mount on the rear of the machine.

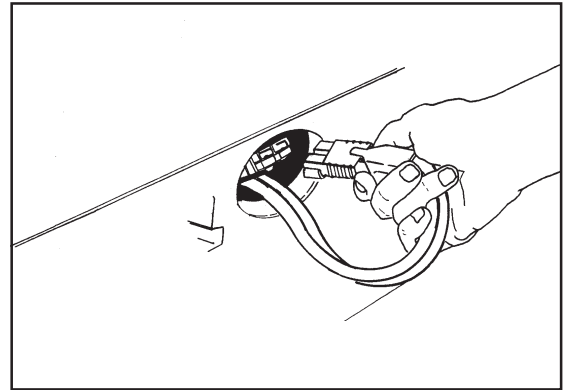


Figure 22

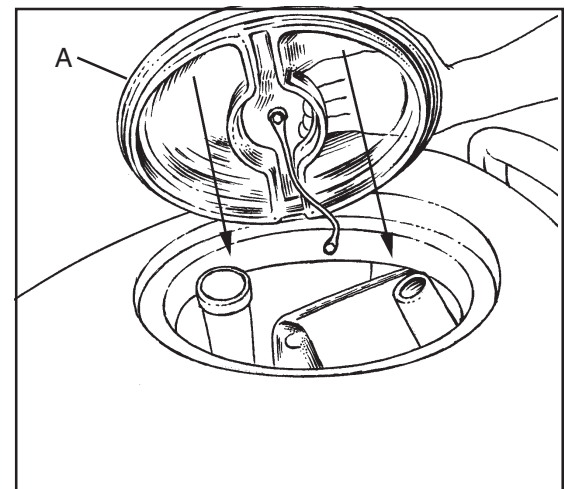


Figure 23

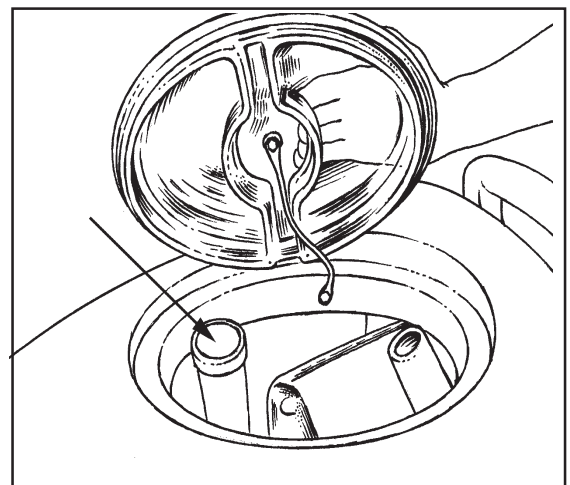


Figure 24

Maintenance

Do These Procedures When You End Your Work

1. Drain the solution tank (Figure 25) and the recovery tank (Figure 26). To drain the tanks, follow this procedure:
 - a. Turn the key switch "OFF".
 - b. Remove the drain hose from the back of the machine.
 - c. Put the end of the hose over a drain or bucket.
 - d. *Recovery Tank:*
 - 1.) Turn the valve handle to the left. Pull the handle out to open the drain (Figure 27).

NOTE: Have the opening in the side of the valve away from you when you open the valve.

- 2.) To open the valve completely, turn the handle to the right. Pull the handle out of valve (Figure 28).

Solution Tank:

When hose is lowered to water level, water will flow.

2. Flush the tanks. To flush the tanks, put clean water in the tank through the opening on top of the tank.
3. If a tank or drain hose has an obstruction, use a pressure water hose to flush the tank or hose. Put the water hose into the drain hose.
4. Leave the tanks and the recovery drain valve open to dry in the air.
5. Check the squeegee blade. Use a cloth to clean the squeegee blade. If the squeegee blade is damaged or worn, turn or replace the blade.
6. Check and clean the solution lid gasket. Use a mild cleaning solution and rinse the parts in clean water.
7. The debris tray needs to be emptied regularly to prevent over flow. To remove the debris tray from the machine, follow this procedure (see figure 29):
 - a. Go to the left side of the machine, to the rear of the cylindrical brush head.
 - b. Grab the end of the tray with the left hand and the center of the tray with the right hand.
 - c. Lift center of tray with right hand and slide tray out with left hand.
 - d. Empty tray and clean before sliding tray back in. Make sure upper and lower slides are engaged.

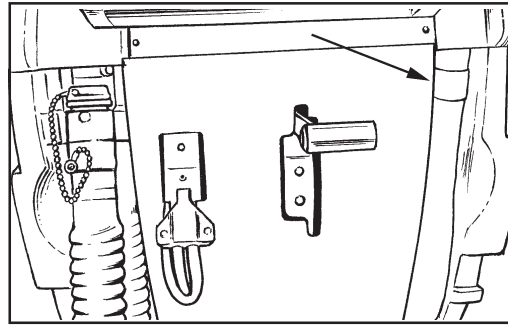


Figure 25

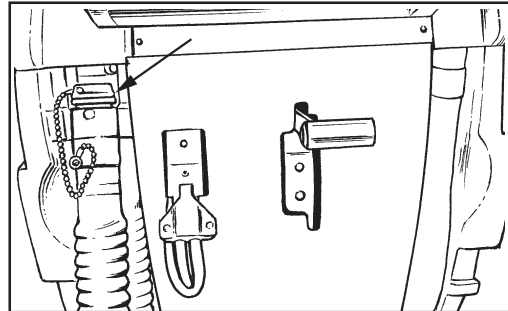


Figure 26

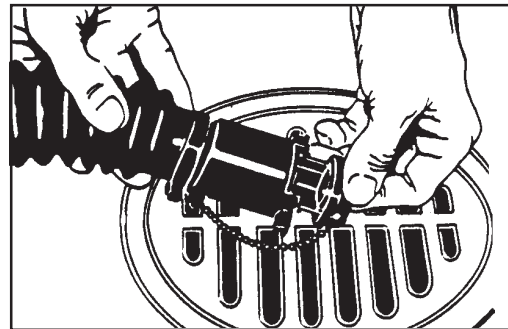


Figure 27

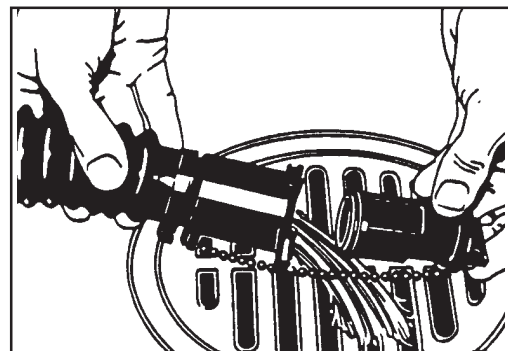


Figure 28

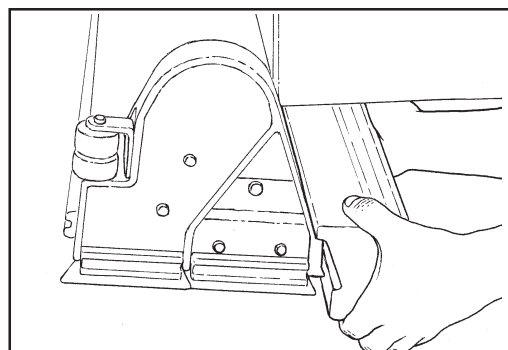


Figure 29

Maintenance

8. Check the batteries and if necessary add distilled water after charging. The correct level is within 1/4 inch (1/2 cm) of the bottom of the tube in each cell.

CAUTION: Tap water may contain contaminants that will damage batteries. Batteries must be refilled with **DISTILLED WATER ONLY**.

WARNING: Lead acid batteries generate gases which can cause an explosion. **NO SMOKING**. Always wear eye protection and protective clothing when working near batteries.

9. Use a clean cloth and wipe the surface of the machine.

10. Charge the batteries. See the instruction in the section of this book called "How To Charge The Batteries".

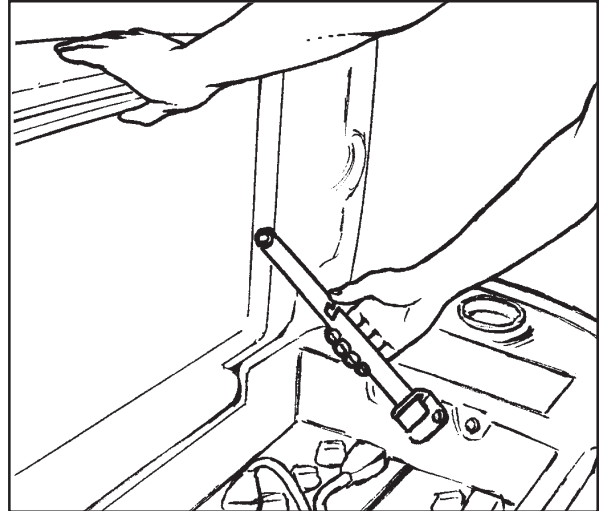


Figure 30

Maintenance Procedures To Be Done Every Week:

WARNING: Maintenance and repairs must be done by authorized personnel only. Always empty the solution tank and the recovery tank before doing any maintenance. Keep all fasteners tight.

WARNING: Always wear eye protection and protective clothing when working near batteries. Do not put tools or other metal objects across the battery terminals or the tops of the batteries.

CAUTION: To prevent damage to the machine, and discharge across the tops of the batteries, do not fill the batteries above the bottom of the tube in each cell. Wipe any acid from the machine or the tops of the batteries. Do not add acid to battery after installation.

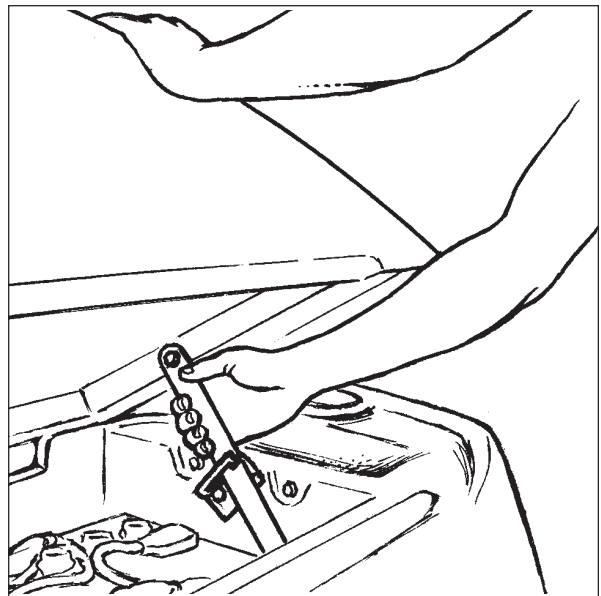


Figure 31

NOTE: Always turn off key switch before servicing the machine.

WARNING: Always wear eye protection and protective clothing when working near batteries. **NO SMOKING!**

1. To inspect batteries, tip up recovery tank until it locks in the full open position. See figure 30. To close the tank, pull up on the latch arm and then slowly lower the tank to the closed position.

CAUTION: Before raising the tank, be sure tank is empty.

NOTE: There is an intermediate position available for holding the recovery tank open for charging batteries. See figure 31.

Maintenance

⚠ WARNING: Do not operate or perform maintenance on the machine while the recovery tank is in the intermediate position. The tank can be accidentally bumped and it may slam shut.

2. Disconnect the batteries. Use a cloth and a solution of ammonia or bicarbonate of soda to wipe the top of the batteries. Clean the battery terminals. Reconnect the batteries.
3. Check the hoses for leaks, obstructions and other damage.
4. Use a grease gun to lubricate the dual casters. See figure 32.
5. Check the brush drive belts for proper tension. Belts must be tensioned properly to prevent slipping. To tighten the belts, follow this procedure:
 - a. Remove belt cover by removing screws.
 - b. Loosen the 2 screws on either side of the motor pulley.
 - c. Use a small prybar or large screwdriver to pry the motor upward to achieve correct belt tension. Pry on the motor close to where the motor contacts the brush head casting (see figure 33, A).
 - d. Hold tension and tighten 2 screws (see figure 33, B).
 - e. Replace belt cover.

Maintenance For The Squeegee

To remove the squeegee, follow this procedure:

1. Remove the squeegee assembly by loosening the two knobs that attach the squeegee to the machine. Pull the squeegee assembly off. See figure 34.
2. Inspect the squeegee blade.
3. If the blade is worn, turn the blade so that a new edge is in the wiping position.
4. Reinstall squeegee assembly on the machine.

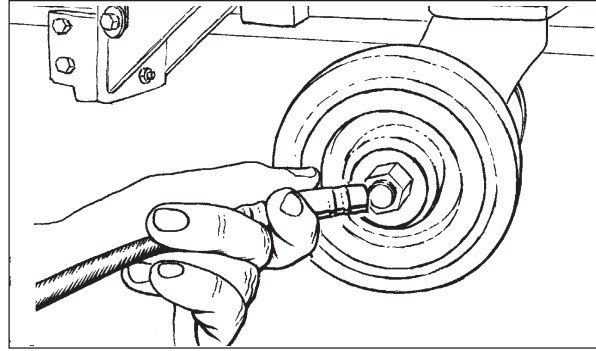


Figure 32

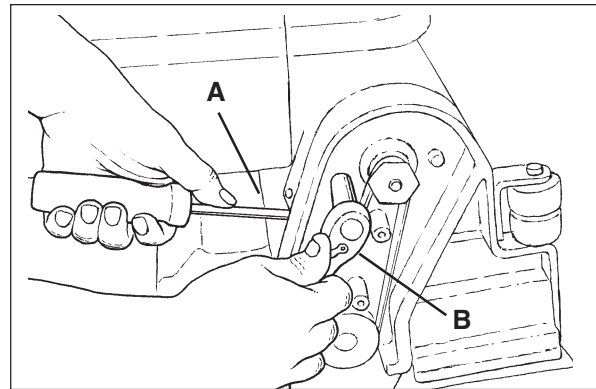


Figure 33

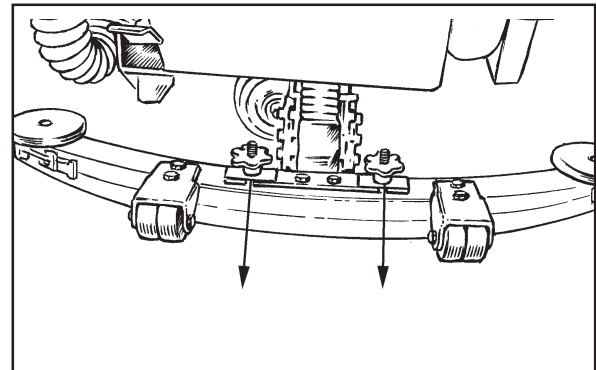


Figure 34

Maintenance cont.

How To Adjust The Squeegee

The following adjustments are set at the factory, however they may require slight adjustment.

Adjusting Squeegee Tilt:

The tilt of the squeegee causes the rear blade to raise up in the center or on the ends, depending on which direction the tilt is changed. For tilt adjustment, refer to figure 35. Loosen left and right screw "X". In order to bring the blades down in the center, tip "Y" down. To bring both ends down, tip "Y" up. Make very small adjustments and try it until a uniform flare is achieved.

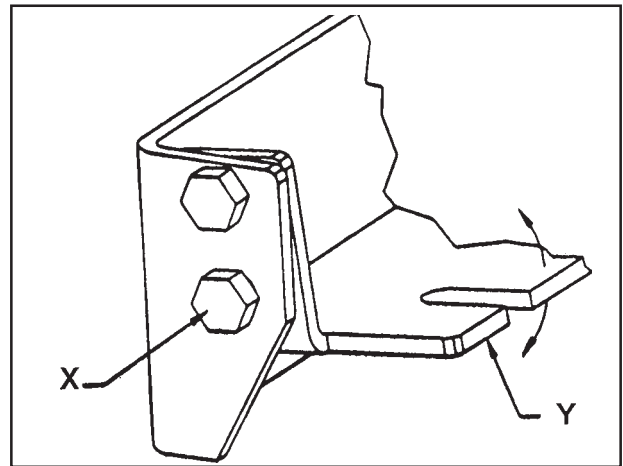


Figure 35

Adjusting Squeegee Blades:

When properly installed the front blade should be approximately 0.12" (3.0mm) above the rear blade. See figure 36.

⚠ WARNING: Maintenance and repairs must be done by authorized personnel only.

⚠ WARNING: Electrical repairs must be done by authorized personnel only.

Consult your Clarke Authorized Service Person to do the service procedures.

Use only genuine Clarke parts.

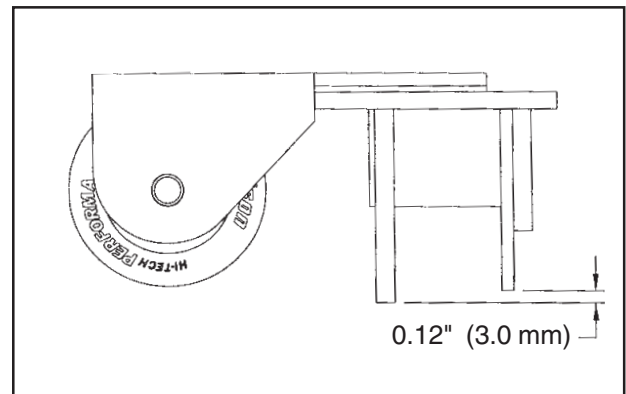


Figure 36

How to Center or Offset the Brush Head

The brush head on the Encore L26 can be centered or offset 1 inch to the right side of the machine. To center or offset the brush head, follow this procedure:

Recommended tools: 3/8" drive ratchet, 3" extension and 9/16" socket.

⚠ CAUTION: Before offsetting the brush head, be sure that the recovery tank is empty of solution. Follow the instructions on page 20 on how to drain the recovery tank.

1. Turn the key switch "ON".
2. Raise the brush head by pressing and holding the brush switch until the brush head is in its full up position.
3. Turn the key switch "OFF" and remove the key.
4. Tip up the recovery tank until it locks in the full open position.
5. Go to the front of the machine and unlatch the front cover and swing cover open.

Maintenance cont.

6. Locate the four mounting studs on the brush head bracket. See figure 37. The top two mounting nuts can be accessed through the top of the solution tank. The lower two can be accessed through the front. Loosen the four mounting nuts 2 to 3 turns counterclockwise. NOTE: Do not remove mounting nuts.
7. The brush head assembly can slide to the right side by one inch or placed back into the center. Slide the brush head assembly all the way to the ends of the slots for the desired position. This insures that the head operates straight up and down.
8. After repositioning the brush head, tighten nuts securely to approximately 236 inch-lbs.
9. Close the front cover.
10. Close the recovery tank.

How to Level the Cylindrical Brush Head

The brush head on the Encore L26 is level when shipped from the factory. If during use it becomes necessary to re-level the head from side to side, follow this procedure:

1. Move the machine to a level area of the floor surface.
2. Turn key switch "OFF".
3. Loosen the 4 mounting nuts shown in figure 37, by following steps in the procedure above (How to Center or Offset the Brush Head).
4. Turn the key switch on and lower the head, until the full weight of the head is on the floor.
5. Turn the key switch "OFF".
6. After determining the brush head is level with the floor, tighten nuts securely to approximately 236 inch-lbs.
7. Close front cover and recovery tank.

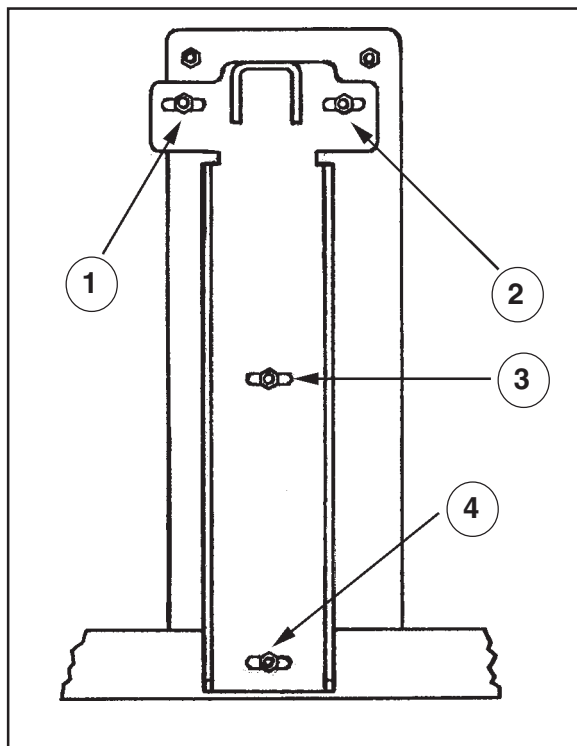


Figure 37

Clarke®
Encore L26 Cylindrical
Accessories - 10/06

ACCESSORIES

<u>Description</u>	<u>Part No.</u>
Power Wand System Kit	10150A
Clarke Care Kit	14607A
39" Squeegee Assembly	10068A
32" Squeegee Assembly	10129A
Poly Dur Protectant	50478A
Kit, Grease Gun	55420A
Kit, Low Voltage Shut-Off	14097A
Brake Kit Assembly "L"	10072A
Accessory Bag	30070A
Hour Meter Kit	10656A
Hard Caster Assembly	50968A
Kit, Solution Fill	10177A

Brushes:

<u>Size</u>	<u>Description</u>	<u>Part No.</u>	<u>Used For</u>
26"	Polypropylene	30176A	General Scrubbing Hard Floors
26"	Clean Grit	30178A	
26"	Super Grit	30179A	
26"	Nylon Soft	30177A	

Squeegee Blades:

<u>Description</u>	<u>39" Assembly</u>
Blade, Rear - Linatex	30069L
Blade, Rear - Gum Rubber	30069A
Blade, Rear - Nitrile Solid	30082A
Blade, Rear - Ribbed Orange	30086A
Blade, Front - Linatex	30717L1
Blade, Front - Ribbed Natural	30091A
Blade, Front - Slit Grout	30080A
Blade, Front - Ribbed Orange	30084A

Clarke[®]

ENCORE
L26 Cylindrical
Section II
Parts and Service Manual

(70422A)

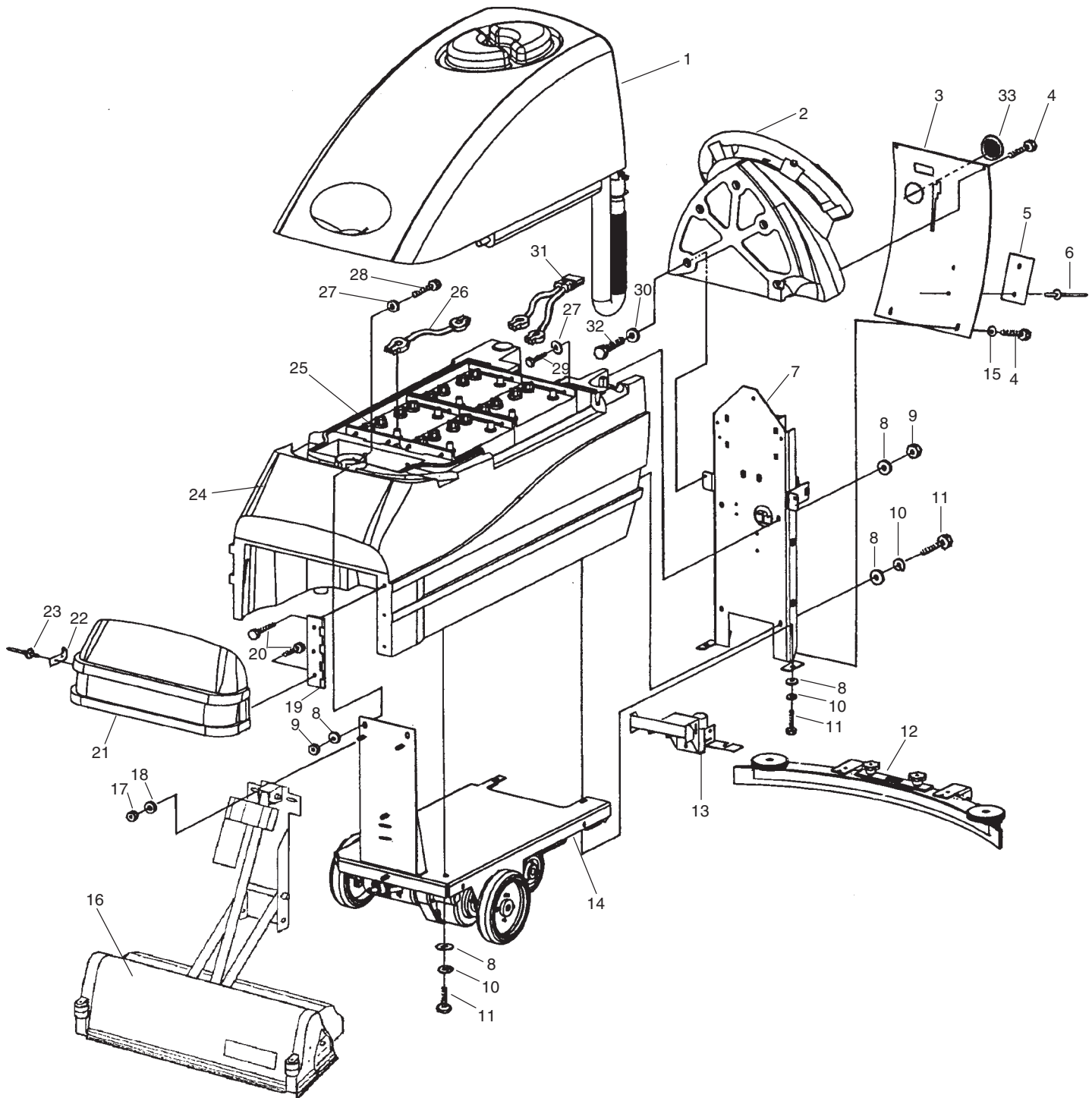
U.S. Patent No. 6,760,947; No. 6,105,192; No. 5,383,251; No. 6,557,207

HOW TO CORRECT PROBLEMS IN THE MACHINE

PROBLEM	CAUSE	ACTION
There is no solution flow.	<p>The solution tank is empty.</p> <p>The solution valve is closed.</p> <p>There is an obstruction in the solution hose or filter.</p> <p>The solution valve or electric wiring is damaged.</p> <p>The solution module is defective.</p>	<p>Fill the solution tank.</p> <p>Open the solution valve.</p> <p>Remove the obstruction from the hose or filter.</p> <p>Repair or replace the valve or the electric wiring.</p> <p>Replace solution module</p>
The solution flow does not stop.	<p>The solution valve is open.</p> <p>The solution valve or wiring is damaged.</p> <p>The solution valve is dirty</p> <p>There is a damaged seat and washer in the solution valve.</p> <p>The solution module is defective.</p>	<p>Close or Clean the solution valve.</p> <p>Repair or replace the valve and the wiring.</p> <p>Clean the solution valve.</p> <p>Replace the seat and washer.</p> <p>Replace solution module.</p>
The machine does not remove all the water from the floor.	<p>The squeegee is up.</p> <p>The squeegee tilt is not correct.</p> <p>The recovery tank is full.</p> <p>The screen filter is dirty.</p> <p>There is an obstruction or damage in the squeegee, squeegee hose or standpipe.</p> <p>The vacuum motor is not running.</p> <p>The squeegee hose is disconnected, or damaged</p> <p>The squeegee blade is damaged, worn, or incorrectly installed.</p> <p>The gaskets on the cover of the recovery tank are damaged.</p>	<p>Lower the squeegee.</p> <p>To adjust See Figure 11, page 23.</p> <p>Drain the recovery tank.</p> <p>Clean the screen filter.</p> <p>Remove the obstruction or repair the damage.</p> <p>Check for tripped breaker. Have an authorized service person make repairs.</p> <p>Check and connect hose.</p> <p>Turn or replace the squeegee blade. Correctly install the squeegee blade.</p> <p>Replace the gaskets.</p>
The batteries do not give the normal running time.	<p>The battery terminals are dirty or damaged.</p> <p>The electrolyte level is too low.</p> <p>The batteries are not fully charged.</p> <p>The charger is damaged.</p> <p>The battery is defective.</p> <p>The batteries are disconnected.</p> <p>Brush is in heavy scrub setting.</p>	<p>Clean the terminals and connectors. Replace the damaged cables. Charge the batteries.</p> <p>Add distilled water to each cell and charge the batteries.</p> <p>Charge the batteries for a full 16 hour charge.</p> <p>Have an authorized service person repair the charger.</p> <p>Check voltage of each cell while discharging.</p> <p>Connect the batteries.</p> <p>Adjust Pressure.</p>

PROBLEM	CAUSE	ACTION
<p>The cleaning is not even.</p>	<p>The scrub brush or pad is worn.</p> <p>There is damage to the brush assembly, caster or the solution valve.</p> <p>The brush motor is not running</p> <p>The solution level is low.</p>	<p>Replace the scrub brush or pad.</p> <p>Have an authorized service person make the needed repairs.</p> <p>Check for tripped breaker. Reset. Check for loose connections.</p> <p>Fill the solution tank.</p> <p>NOTE: If the problem continues consult an authorized service person.</p>
<p>The machine does not run.</p>	<p>The machine loses power.</p> <p>Key or switch is off.</p> <p>Batteries are unplugged. Battery terminals are dirty.</p> <p>Batteries are discharged</p>	<p>Reset the circuit breaker.</p> <p>Turn key or switch on.</p> <p>Check the battery connections.</p> <p>Check battery gauge and recharge</p> <p>NOTE: If the problem continues consult an authorized service person.</p>

Clarke®
Encore L26 Cylindrical
Final Assembly Drawing 2/07

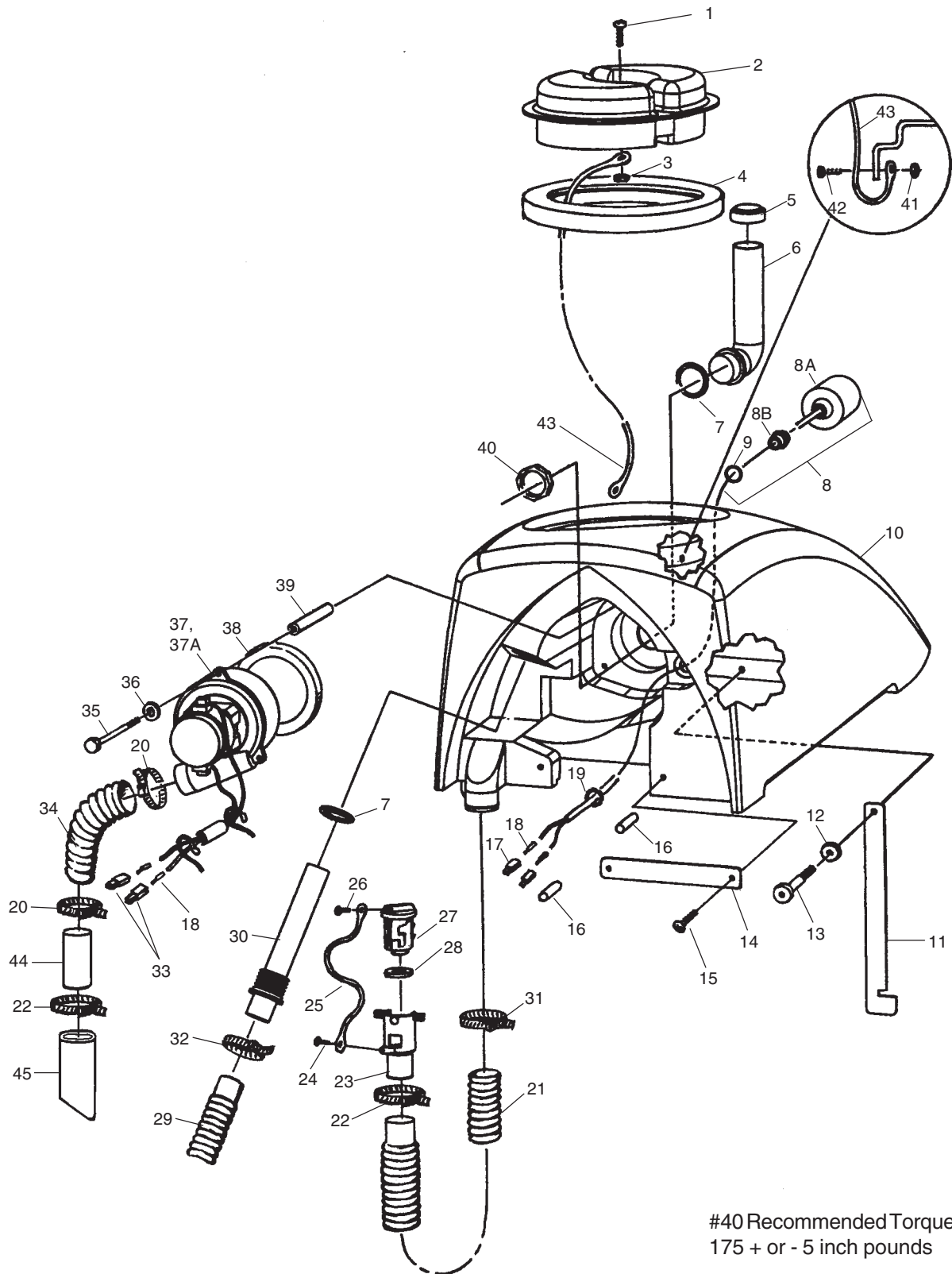


Clarke®
Encore L26 Cylindrical
Final Assembly Parts List 2/07

Ref. #	Part No.	Description	Qty
1	See pg 32	Assembly, Recovery Tank	Ref
2	See pg 38	Assembly, Control Panel	Ref
3	30064A	Rear Cover	1
4	80108A	Screw, 10-24 x 1/2 SS	4
5	70080A	Plate, Warning	1
6	83010A	Rivet, Pop 1/8	2
7	See pg 36	Assembly, Rear Panel	Ref
8	980651	Washer, 5/16 Flat	11
9	920110	Nut, 5/16 -18 ESNA	4
10	980652	Washer, 5/16 Lock	7
11	85811A	Screw, 5/16 -18 x 3/4	7
12	See pg 42	Assembly, Squeegee 32"	Ref
13	See pg 40	Assembly, Squeegee Lift	Ref
14	See pg 44	Assembly, Traverse System	Ref
15	980982	Washer #10	2
16	See pg 46	Assembly, Brush Head	Ref
17	81105A	Nut, 3/8-16 ESNA	4
18	87031A	Washer, 3/8 Flat SS	4
19	52805A	Hinge	1
20	85395A	Screw, 1/4-20 x 1/2 SS	4
21	30272R	Front Cover	1
22	50966A	Latch, Front Cover	Ref
23	930090	Rivet, 5/32 x 9/16	2
24	See pg34	Assembly, Solution Tank	Ref
25*	Page 12	Battery	
	40136A	Battery 6V, 250 AH (wet - Stud Post)	4
	40137A	Battery 6V, 250 AH (dry - Stud Post)	4
	891384	Battery, 6V 330 AH (wet - UT Post)	4
	891385	Battery, 6V 330 AH (dry - UT Post)	4
26	41206A	Series Battery Cable (Taper Style)	3
	41217A	Series Battery Cable (Ring Style)	3
27	980205	Washer, 5/16 Fender	4
28	85734A	Screw, 5/16-18 x 2	2
29	85739A	Screw, 5/16-18 x 3 Hex	2
30	87026A	Washer, 1/4 flat SS	5
31	41211A	Battery, Cable (Taper Style)	1
	40174A	Battery, Cable (Ring Style)	1
32	85518A	Screw, 1/4-20 x 3/4	5
33	54436A	Plug, Hole 1 3/8	1
NI	10132A	Lit Kit	1
NI	40512A	Battery charger	1
NI	77092A	Label, Gases	1
NI	77093A	Label, Falling	1
NI	70226A	Label, Battery	1
NI	30070A	Accessory Bag	1
NI	10072A	Parking Brake Assembly	1

* See page 12 for installation.

Clarke®
Encore L26 Cylindrical
Recovery Tank Assembly Drawing 3/08
Drawing #10428A

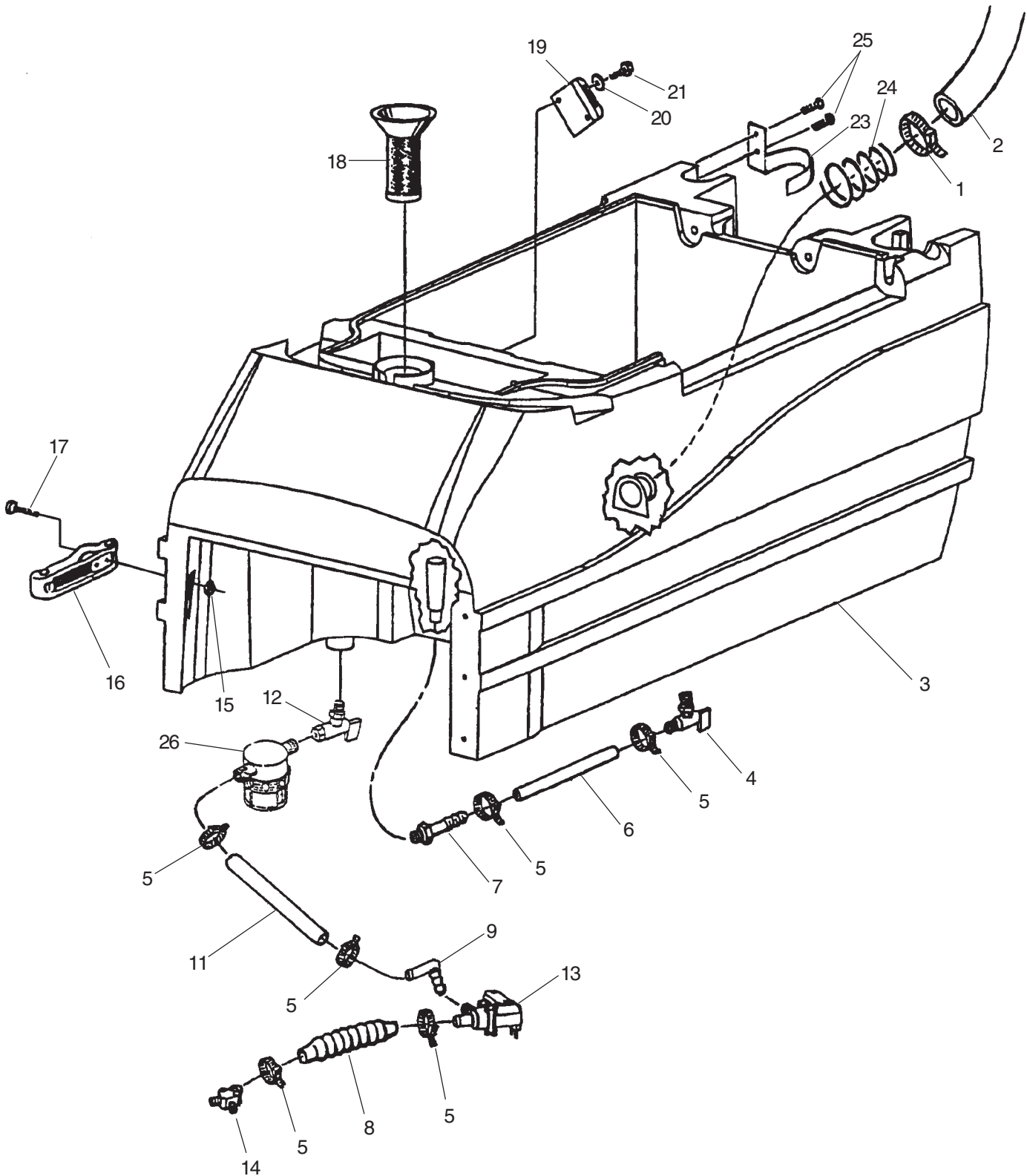


Clarke®
Encore L26 Cylindrical
Recovery Tank Assembly Parts List 3/08

Ref. #	Part No.	Description	Qty
1	962798	Screw, 10-24 x .5	1
2	30057A	Lid	1
3	81110A	Nut, 10-24 SS	1
4	30065A	Gasket, Lid	1
5	58069A	Strainer	1
6	39338A	Stand Tube	1
7	837304	O-Ring	2
8	10660A	Switch Kit, (Includes 8A, 8B, 9)	1
8A	40002A	Switch (included in Item 8)	1
8B	56459A	Relief, Strain (included in Item 8A)	1
9	59877A	Seal, Washer	1
10	30248A	Tank, Recovery	1
11	60373A	Latch, Recovery Tank	1
12	87622A	Washer, Nylon 5/16 x 5/8 x 1/32	1
13	80043A	Screw, .25 x 20 x .25, Shoulder	1
14	60336A	Strap, Hose Retainer	1
15	85100A	Screw, 10-32 x 1/2 SS Xylan Coating	2
16	30068A	Hinge, Pin (included w/ item 10)	2
17	43402A	Housing, Connector(included in 8A)	2
18	41809A	Contact (included in 8A)	4
19	82100A	Nut, Strain Relief Lock	1
20	872010	Clamp, Hose	2
21	35165A	Hose, Drain	1
22	53371A	Clamp, Hose	2
23	839401	Valve, Drain	1
24	962943	Screw, 8-18 x 1/2 PN	1
25	52206A	Chain	1
26	962987	Screw, 10-24 x 3/8 Pan	1
27	833901	Drain, Valve Handle	1
28	833407	Gasket, Drain Valve	1
29	51060A	Hose, Squeegee	1
30	830208	Squeegee Stand Tube	1
31	80110A	Hose Clamp	1
32	752020	Hose Clamp	1
33	43401A	Housing, Vac Motor Connector	2
34	674110	Hose	1
35	85728A	Screw, 1/4-20 x 4 Hex	3
36	87026A	Washer, 1/4 Flat	3
37	51049A	Motor, Vacuum (3-Stage)	1
	51050A	Motor, Vacuum, (2-Stage Option)	1
37A◆	50996A	Brushes, Carbon	2
38	643418	Gasket	1
39	58533A	Spacer	3
40	920797	Nut	1
41	962666	Screw, 10-24 x 3/4	1
42	920296	Nut, 10-24 Elastic	1
43	38020A	Strap	1
44	38735A	Connector, Muffler	1
45	30343A	Muffler	1
NI	839410	Valve Asm. (includes 23, 24, 25, 26, 27, 28)	1
NI	70226A	Label, Battery Installation	1

NOTE: ◆ indicates a change has been made since the last publication of this manual.

Clarke®
Encore L26 Cylindrical
Solution Tank Assembly Drawing 7/04
Drawing #10432A



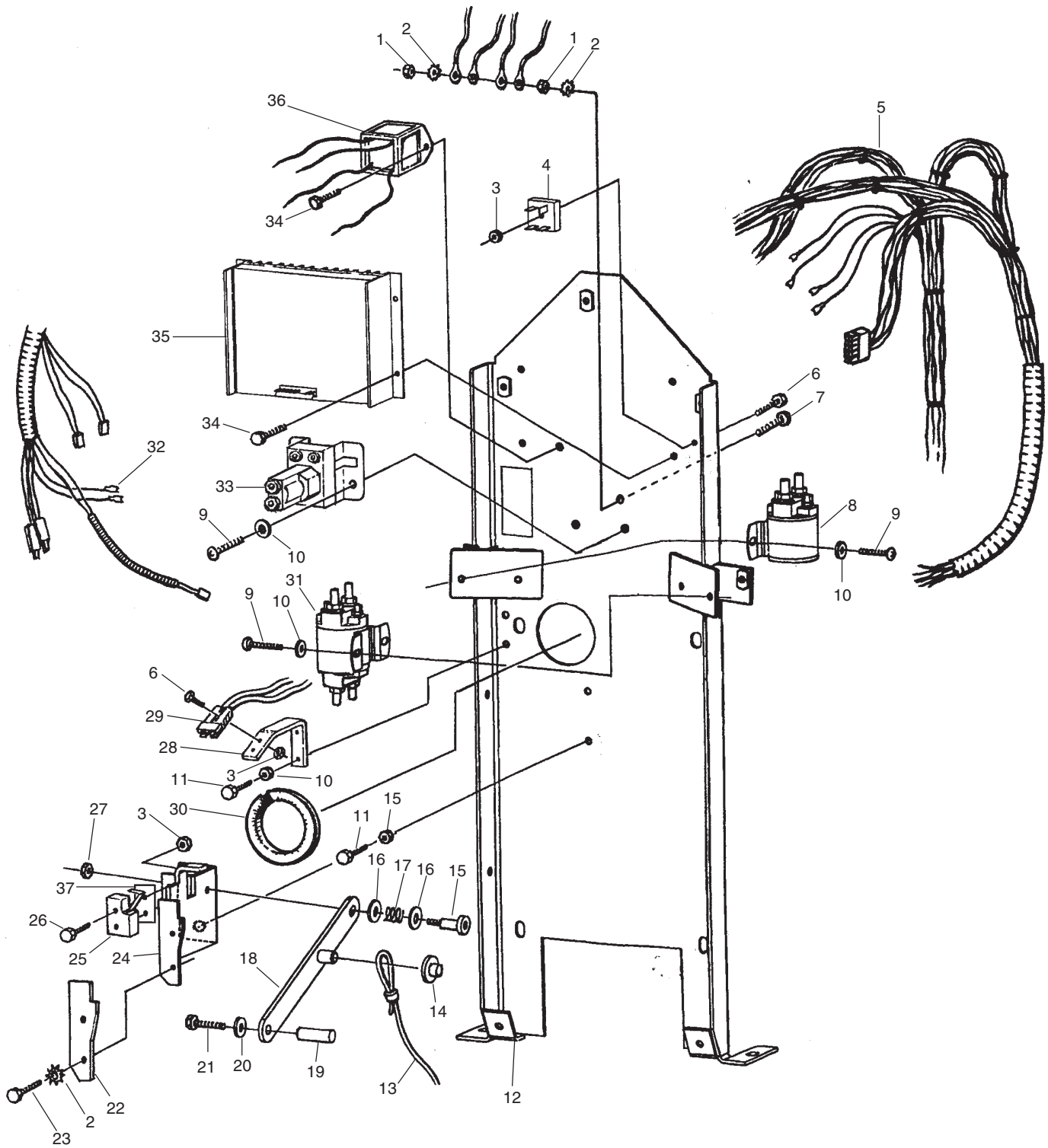
Clarke®
Encore L26 Cylindrical
Solution Tank Assembly Parts List 3/08

Ref. #	Part No.	Description	Qty
1	872010	Clamp, Hose	1
2	50964A	Hose, Drain	1
3	30244A	Tank, Solution	1
4	59614A	Valve, Battery Drain	1
5	722030	Clamp, Hose	6
6	30453A	Hose, Clear Vinyl	1
7	820207	Adapter, Hose 3/8 MPT x 1/2 Hosebarb	1
8	30412A	Hose, Stretch	1
9	51526A	Elbow	1
11	30446A	Hose	1
12	51204A	Valve, Solution	1
13	59789A	Valve, Solution	1
14	52817A	Coupling, Hosebarb	1
15	81109A	Nut, 8-32 ESNA SS	2
16	50966A	Latch	1
17	80105A	Screw, 8-32 x 1 1/4 SS	2
18	50963B	Screen, Fill (with hose retention)	1
	51308B	Strainer (without hose retention)	1
19	69879A	Bracket, Latch	1
20	170892	Washer, Lock 1/4	2
21	170915	Screw, 1/4-20 x 3/4 SS Hex	2
23	60480A	Bracket, Hose	1
24	51346A	Spring, Hose	1
25	80108A	Screw, 10-24 x 1/2	2
26	53562A	Filter, Bowl Asm	1
NI	30210A	Hose, Solution	1
NI	30162A	Funnel (included w/Kit 10177A)	1
NI	10177A	Kit, Solution Fill (includes #18-51308A)(includes NI - 30162A)	1

53562A Components		
Clarke P/N	Description	Qty.
50018A◆	Bowl, Filter	1
53563A	Filter, Screen	1
53564A	Upper Body	1
54369A	Gasket, Bowl	1

NOTE: ◆ indicates a change has been made since the last publication of this manual

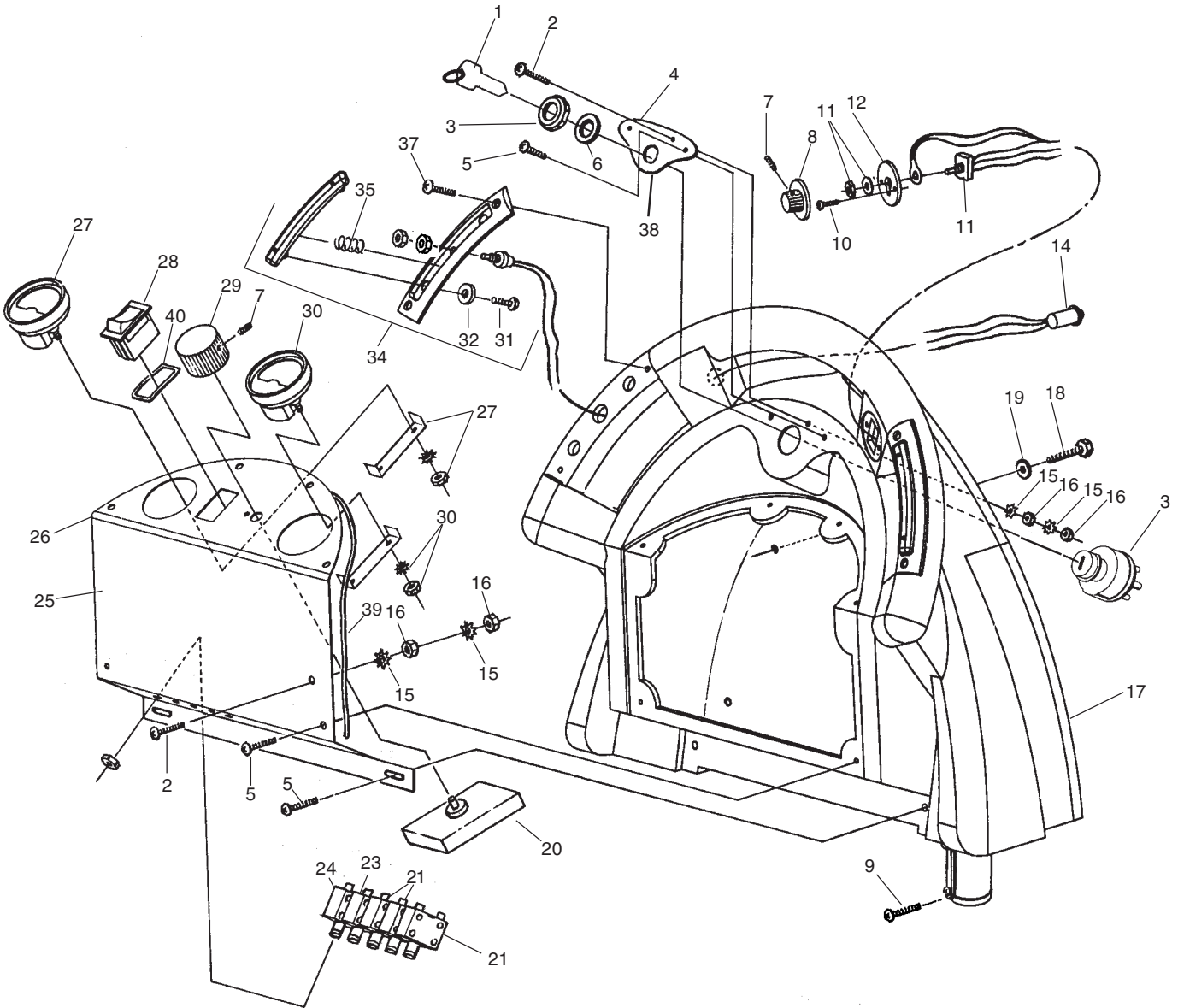
Clarke®
Encore L26 Cylindrical
Rear Panel Assembly Drawing 7/02
Drawing #10064A



Clarke®
Encore L26 Cylindrical
Rear Panel Assembly Parts List 7/02

Ref. #	Part No.	Description	Qty
1	920224	Nut, 10-32	2
2	980603	Washer, Starlock	4
3	920056	Nut, 6-32	5
4	46106A	Rectifier	1
5	40133A	Harness, Power	1
6	962212	Screw, 6-32 x 7/8	3
7	85383A	Screw, 10-32 x 3/4	1
8	41810A	Solenoid, Brush	1
9	85395A	Screw, 1/4-20 x 1/2	6
10	980614	Washer, Starlock, 1/4	10
11	85391A	Screw, 1/4-20 x 5/8	4
12	60261A	Panel, Rear Metal	1
13	60257A	Cable, Squeegee Lift	1
14	920346	Nut, Pal	1
15	80028A	Bolt, Shoulder, 5/16 x 1.0	1
16	980692	Washer, Flat 5/16 SS	2
17	438360	Spring	1
18	64901A	Lever, Squeegee Lift	1
19	64490A	Handle, Squeegee	1
20	980666	Washer, 3/8 Starlock	1
21	85389A	Screw, 3/8-16 x 5/8	1
22	68643A	Plate, Vacuum Wear	1
23	962968	Screw, 10-24 x 1/2	2
24	61260A	Plate, Squeegee Lift	1
25	47388A	Switch, Vacuum Lever	1
26	85601A	Screw, 6-32 x 1 1/4 PN	2
27	81217A	Nut, 1/4-20 x .218H Nylock	1
28	60264A	Bracket, Power Connector	1
29	41146A	Cable, Assembly Console	1
30	193951	Grommet, slotted, 8"	Ref
31	41811A	Solenoid, Main	1
32	40157A	Harness, Traverse	1
33	40169A	Solenoid, Vacuum	1
34	962798	Screw, 10-24 x 1/2	4
35	40132A	Control, Traverse	1
36	14097A	Low voltage Shutoff	-
37	30097A	Insulator, Mylar	1
NI	77093A	Label, Falling Parts	1
NI	77092A	Label, Gases	1
NI	47809A	3/8 Ring Terminal, 14-16	-
NI	911933	#10 Ring Terminal, 14-16	-
NI	40519A	Ring Terminal, 5/16	-

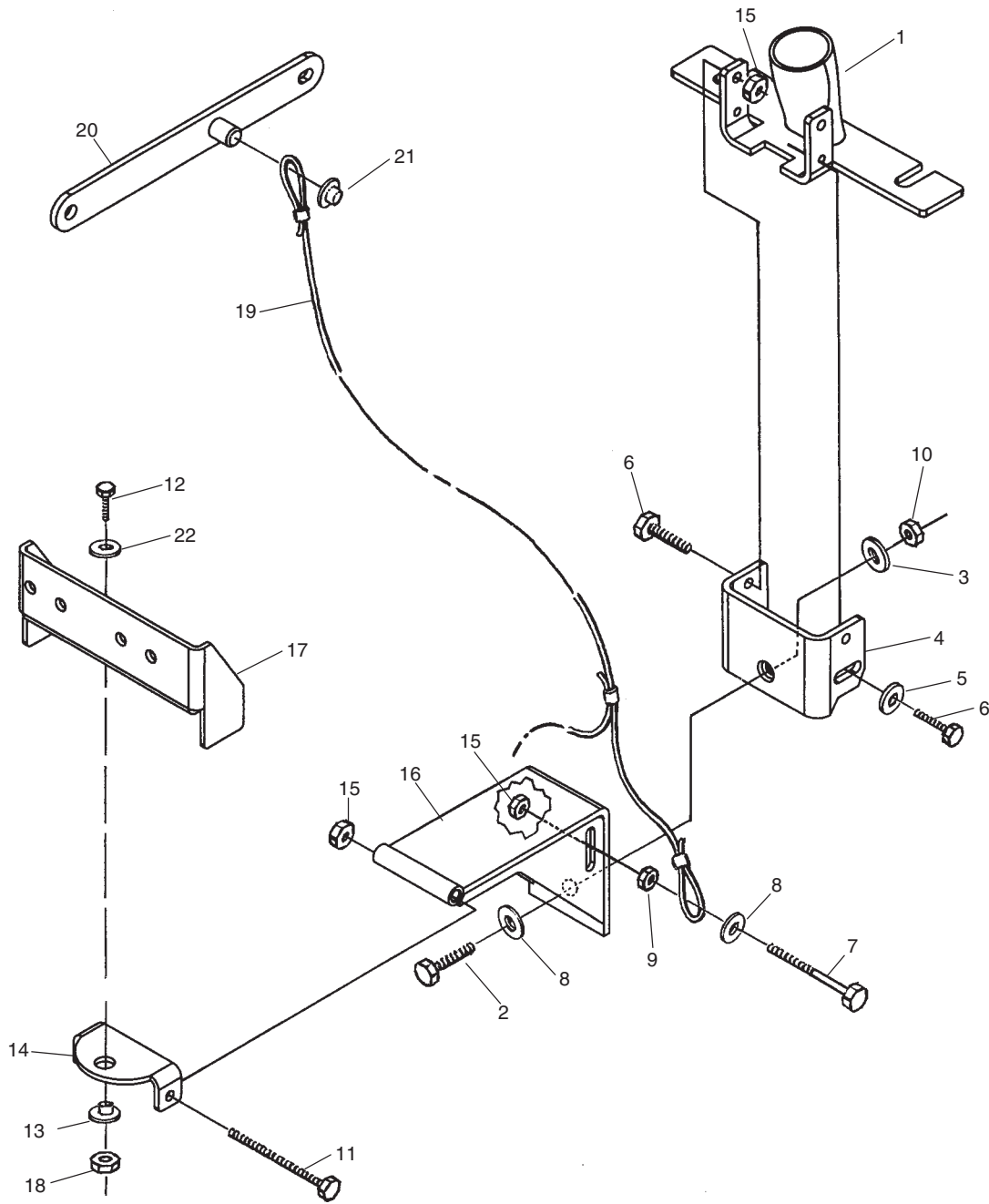
Clarke®
Encore L26 Cylindrical
Control Panel Assembly Drawing 9/07
Drawing #10336A



**Clarke® Encore L26 Cylindrical
Control Panel Assembly Parts List 9/07**

Ref. #	Part No.	Description	Qty
1	55413A	Key (included w/Item 3)	Ref
2	84237A	Screw, 10-32 x ½	2
3	47380A	Switch, Key	1
4	60334A	Panel, Key Switch	1
5	80108A	Screw, 10-24 x ½ SS Black Xylan	8
6	87052A	Washer, Switch	1
7	962262	Screw, Set 8-32 x ½ (included in item 29)	4
8	50962A	Traverse, Control Knob	1
9	85703A	Screw, 10-00 x ½ PN	1
10	962957	Screw, 10-16	2
11	40135A	Harness, Potentiometer Assembly.	1
12	60259A	Bracket, Traverse Switch	1
13	980666	Washer, 3/8 Starlock	1
14	40158A	Switch, Reverse	1
15	980603	Washer	4
16	920224	Nut, 10-32 Hex	4
17	30062A	Control Handle	1
18	85391A	Screw, ¼-20 x ½ SS	Ref
19	87026A	Washer, ¼ SS	Ref
20	40573A	Control, Solution	1
21	41422A	Breaker, Circuit 25 Amp Traverse	3
23	41448A	Breaker, Circuit 30 Amp Vac	1
24	41423A	Breaker, Circuit 5 Amp Actuator	1
25	70650A	Label, Control	1
26	60258A	Panel, Control, Metal	1
27	40217B	Meter, Battery	1
28	40168A	Switch, Brush Adjustment	1
29	55502A	Knob	1
30	40185A	Meter, Brush	1
31	962330	Screw, 6-32 x ¾	4
32	980608	Washer	4
34	11131A	Switch Assembly	2
35	50961A	Spring, Switch	4
37	80104A	Screw, 10-32 x ½ SS Black Xylan	4
38	70219A	Label, Key Switch	1
39	34264A	Gasket, Panel	1
40	30096A	Gasket, Switch	1
NI	47708A	¼ F.I.M.Q.D.	4
NI	47712A	¼ F.I.F.Q.D.	1
NI	912226	Meter, Hour (Optional)	

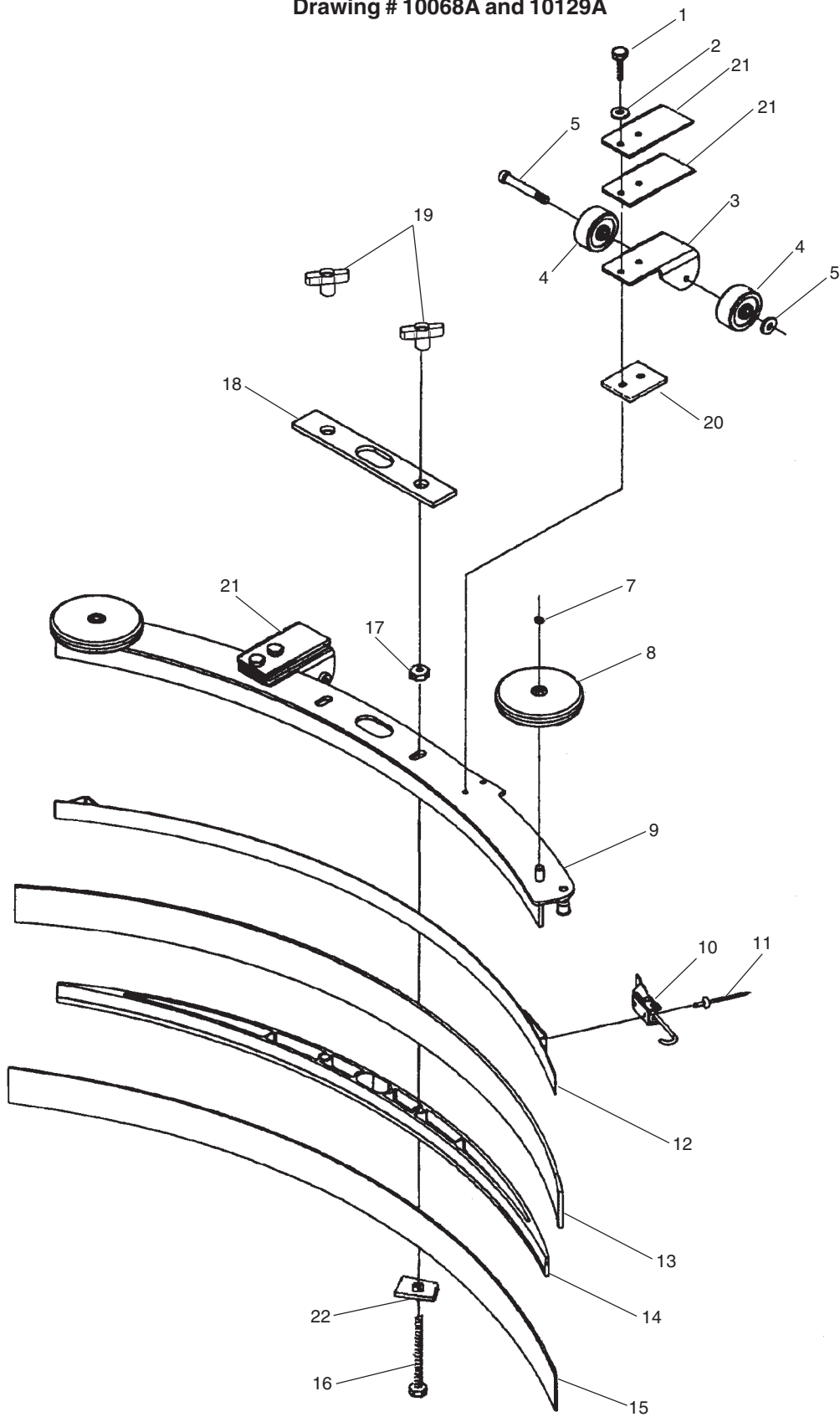
Clarke®
Encore L26 Cylindrical
Squeegee Lift Assembly Drawing 10/03
Drawing # 10075A



Clarke®
Encore L26 Cylindrical
Squeegee Lift Assembly Parts List 7/02

Ref. #	Part No.	Description	Qty
1	61263A	Bracket Tube	1
2	85730A	Screw, 3/8-16 x 1 ¼, Hex SS	1
3	980638	Lockwasher, 3/8 LT Spring Type	1
4	69860B	Bracket, Pin	1
5	87026A	Washer, ¼ SS	2
6	170915	Screw, ¼-20 x ¾	4
7	962481	Screw, ¼-20 x 1 ¼ Hex	2
8	87031A	Washer, 3/8 Flat	3
9	920208	Nut, ¼-20	2
10	81111A	Nut, 3/8-16 ESNA	1
11	80101A	Screw, ¼-20 x 3¼ SS	1
12	85811A	Screw, 5/16-18 x ¾	1
13	67867A	Nut, spacer	1
14	60256A	Squeegee, Pivot Arm	1
15	81104A	Nut, ¼ Nylock	5
16	60255A	Bracket, Squeegee	1
17	60328A	Mount, Squeegee	1
18	81112A	Nut, 5/16-18 Thin ESNA SS	1
19	Page 35	Cable, Squeegee Lift	Ref
20	Page 35	Lift Handle Assembly	Ref
21	920346	Palnut	Ref
22	980651	Washer	1

Clarke®
Encore L26 Cylindrical
Squeegee Assembly Drawing 3/08
Drawing # 10068A and 10129A



Clarke®
Encore L26 Cylindrical
Squeegee Assembly Parts List 3/08

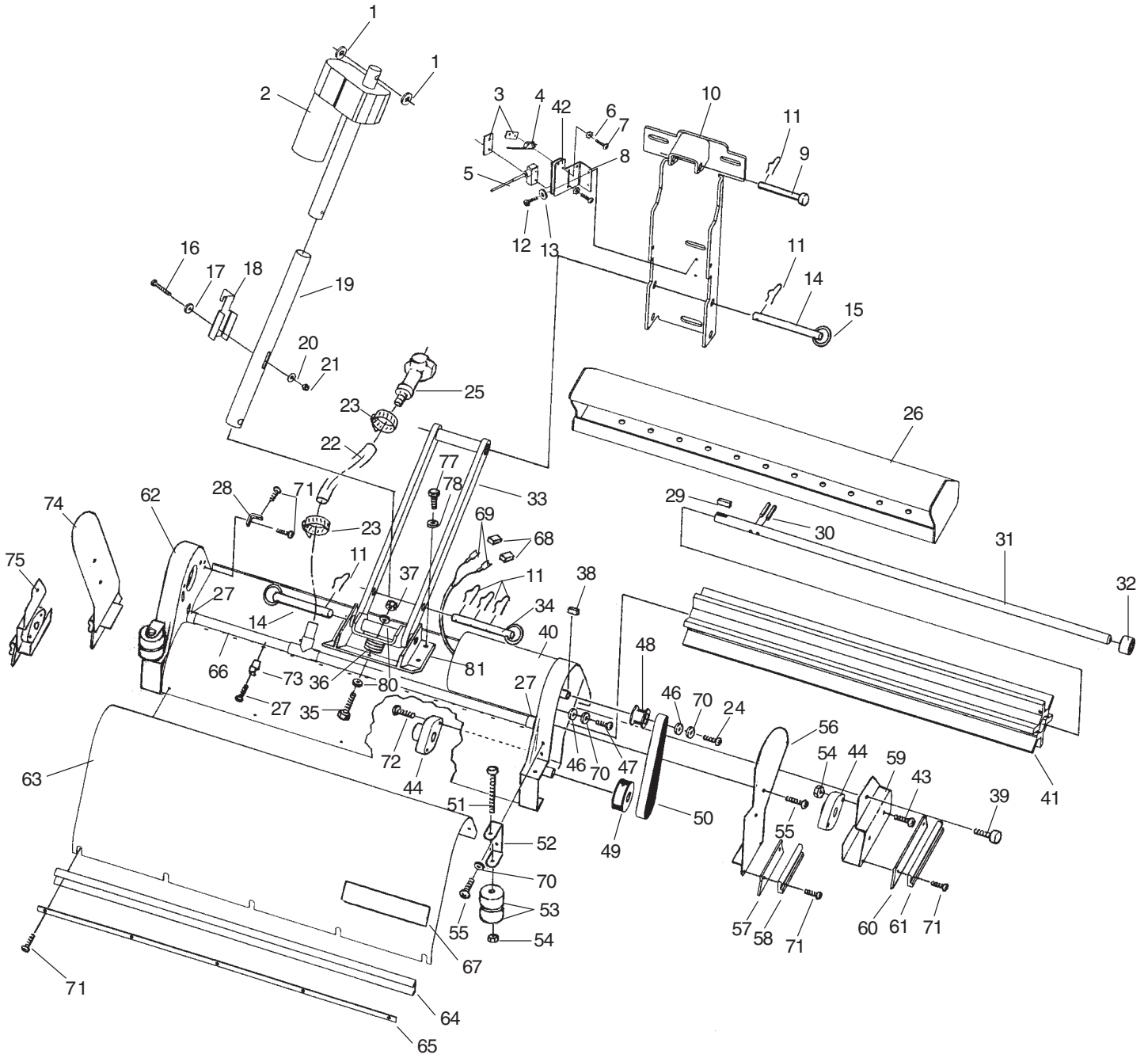
Ref. #	Part No.	Description	10068L	10129L
			39" Qty	32" Qty
1	80252A	Screw, ¼-20 x 1 Hex SS	-	4
	80253A	Screw, ¼-20 x 1½ Hex SS	4	-
2	980657	Washer, ¼ Lock	4	4
3	60243A	Bracket, Squeegee Wheel	2	2
4	30049B	Wheel, Squeegee	4	4
5	81104A	Nut, ¼-20	2	2
6	60254A	Bolt, Shoulder 5/16x 2¼	2	2
7	50958A	Ring, 3/8 ID Snap	2	2
8	30048A	Wheel, Guide, 4 Inch Diameter	2	2
9	60272A	Channel, Squeegee Weldment 39"	1	-
	60234A	Channel, Squeegee Weldment 32"	-	1
10	50835A	Latch, Squeegee Clamp	1	1
11	930086	Rivet, 3/16 x .450 Aluminum	2	2
12	60252A	Strap, Clamp, Squeegee Retainer 39"	1	-
	60232A	Strap, Clamp, Squeegee Retainer 32"	-	1
13	30069L	Blade, Rear, Linatex, 39"	1	-
	30067L	Blade, Rear, Linatex, 32"	-	1
14	30058A	Spacer, Squeegee 39"	1	-
	30047A	Spacer, Squeegee 32"	-	1
15	30717L1	Blade, Linatex 39"	1	-
	30764L1	Blade, Linatex 32"	-	1
16	80011A	Screw, 3/8-16 x 3	2	2
17	81301A	Nut, 3/8-16 Jam SS	2	2
18	34260B	Gasket	1	1
19◆	25201B	Knob	2	2
20	60358A	Shim, Squeegee Wheel	2	2
21	61370A	Weights	8	4
22	80280A	Nut, Squeegee Backup	2	2

NOTE: ◆ indicates a change has been made since the last publication of this manual.

Clarke®
Encore L26 Cylindrical
Frame Axle Assembly Parts List 10/06

Ref. #	Part No.	Description	Qty
1	85700A	Screw, 1/4-20 x 1	1
2	85811A	Screw, 5/16-18 x 3/4	6
3	980652	Washer, 5/16 Lock	6
4	980651	Washer, flat 5/16	6
5	60328A	Squeegee Mount	Ref
6	60260B	Frame Assembly	1
7	51092A	Caster, Assembly	1
8	54085A	Wheel, Traverse, Foam Filled	2
9	50967A	Transaxle w/mounting hubs	1
10	60289A	Mount, Transaxle	2
11	87031A	Washer, flat 3/8 SS	4
12	170883	Washer, 3/8 Lock	4
13	80103A	Screw, 3/8-24 x 1 Hex SS	4
16	980205	Washer, 5/16 Fender	2
18	87026A	Washer, Flat, 1/4 SS	8
19	81217A	Nut, 1/4-20 SS Thin	1
20	81104A	Nut, 1/4 -20 ESNA SS	8
21	85395A	Screw, 1/4-20 x 1/2 SS	2
22	980614	Washer, 1/4 Starlock	5
23	59789A	Valve Solution	Ref
24	81105A	Nut, 3/8-16 ESNA	Ref
25	87031A	Washer, Flat 3/8 SS	Ref
26	Ref	Solution Tank	Ref
27	980205	Washer, 5/16	Ref
28	85734A	Screw, 3/8-16 x 2	Ref
29	69639A	Strap, Static	1
30	10135A	Flange, Transaxle Wheel Kit	1
31	77267A	Label, Tie Down	4
32	81108A	Nut, 3/8-24 ESNA	4

Clarke®
Encore L26 Cylindrical
Brush Head Assembly Drawing 5/03
Drawing #10338A

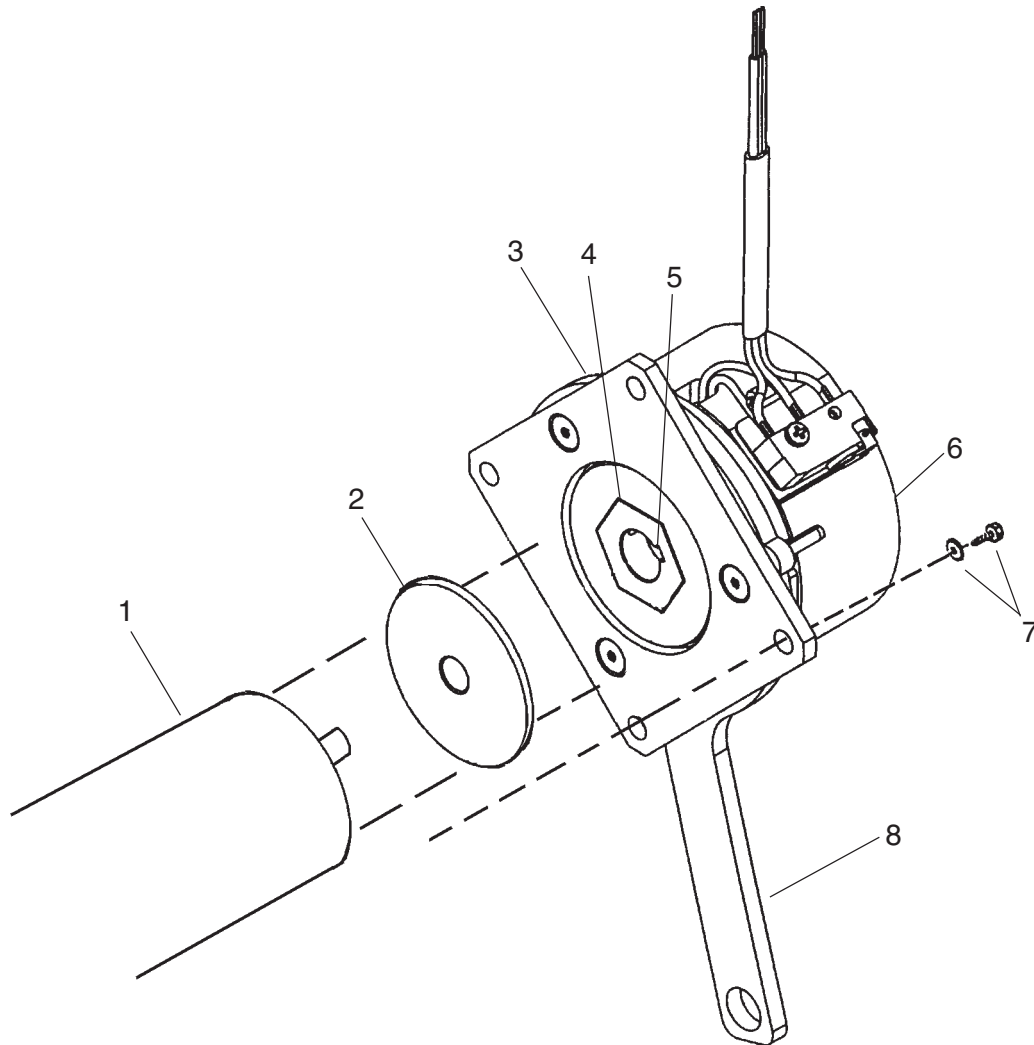


Clarke®
Encore L26 Cylindrical
Brush Head Assembly Parts List 9/07
Drawing #10071A and #10338A

Ref. #	Part No.	Description	Qty
1	38708A	Spacer, Nylon	2
2	50950B	Actuator	1
3	60265A	Plate, Nut	2
4	47374A	Switch, Lever	1
5	47422B	Switch, Whisker	1
6	980608	Washer, #6	4
7	962980	Screw, 6-32 x 1	4
8	61426A	Bracket, Switch	1
9	82501A	Pin	1
10	60236A	Bracket, Brush Head	1
11	766780	Pin, Hair	6
12	80108A	Screw, 10-24 x 1/2	2
13	980603	Washer, #10 Ext. Tooth	2
14	61431A	Pin, Pull	2
15	80159A	Ring, Split	3
16	85702A	Screw, 1/4-20 x 1 3/4	1
17	80102A	Washer, Wave 1/4	1
18	60249A	Actuator, Switch	1
19	60238A	Tube, Head Pressure	1
20	87007A	Washer, Flat 1/4	1
21	81217A	Nut, 1/4-20 ESNA	1
22	30210A	Hose, Solution	1
23	722030	Clamp, Hose #6	2
24	80214A	Screw, M6-1 x 12	2
25	52816A	Coupling, QD	1
26	30215A	Tray, Debris	1
27	53182A	Cap, Tube	2
28	61424A	Bracket, Cover	2
29	915082	Key, 3/16 Sq x 3/4	2
30	50436A	Pin, Spring 3/16	4
31	61399A	Shaft, Brush	2
32	61398A	Spacer, Brush	2
33	10340A	Arm, Lift	1
34	61432A	Pin, Head Lift	1
35	85704A	Screw, 3/8 - 16 x 2 1/4	1
36	BB-006-08	Spacer, Rubber	6
37	81105A	Nut, 3/8-16 ESNA	1
38	80158A	Key, 1/8 Square x 1/2	2
39	52477A	Knob, Clamping	2

Ref.#	Part No.	Description	Qty
40	61430A	Motor, Brush	2
40A	41049A	Brush, Carbon Set	1
41	Page 26	Brush, Cylindrical	2
42	30092A	Insulator, Mylar	1
43	85390A	Screw, 1/4-20 x 1 1/4	4
44	53399A	Bearing Asm.	4
46	980646	Washer, Flat 1/4	6
47	57994A	Screw, M6 x 1 x 20	4
48	61396A	Pulley, Motor	2
49	61397A	Pulley, Brush Drive	2
50	52818A	Belt, Drive	2
51	60254A	Bolt, Shoulder	2
52	61444A	Bracket, Roller	2
53	30049B	Roller, Wall	4
54	81104A	Nut, 1/4-20 ESNA	6
55	85395A	Screw, 1/4-20 x 1/2	8
56	61439A	Cover, Belt LH	1
57	30211A	Skirt, Belt Cover	2
58	30208A	Bumper, Belt Cover	2
59	61442A	Door, Brush LH	1
60	30212A	Skirt, Brush Door	2
61	30209A	Bumper, Brush Door	2
62	21057A	Housing, Brush	1
63	61443A	Cover, Motor	1
64	30206A	Bumper, Brush Housing	1
65	61425A	Retainer, Bumper	1
66	10352A	Tube, Solution	1
67	70312A	Label, Brush Housing	1
68	40645A	Connector, Housing, Black	4
69	41601A	Connector, Contact	4
70	980657	Washer, Lock 1/4	10
71	962350	Screw, 10-32 x 1/2	18
72	962495	Screw, 1/4-20 x 1	4
73	782002	Clamp	1
74	61438A	Cover, Belt	1
75	61441A	Door, Brush RH	1
NI	61445A	Rail, Debris Tray	1
77	962244	Screw, 3/8-16 x 3/4	4
78	980638	Washer, Lock 3/8	4
80	87031A	Washer, Flat 3/8	2
81	61440A	Bracket, Brush Housing	1

Clarke®
Encore L26 Cylindrical
Optional Brake Drawing and Parts List
Drawing 7/02

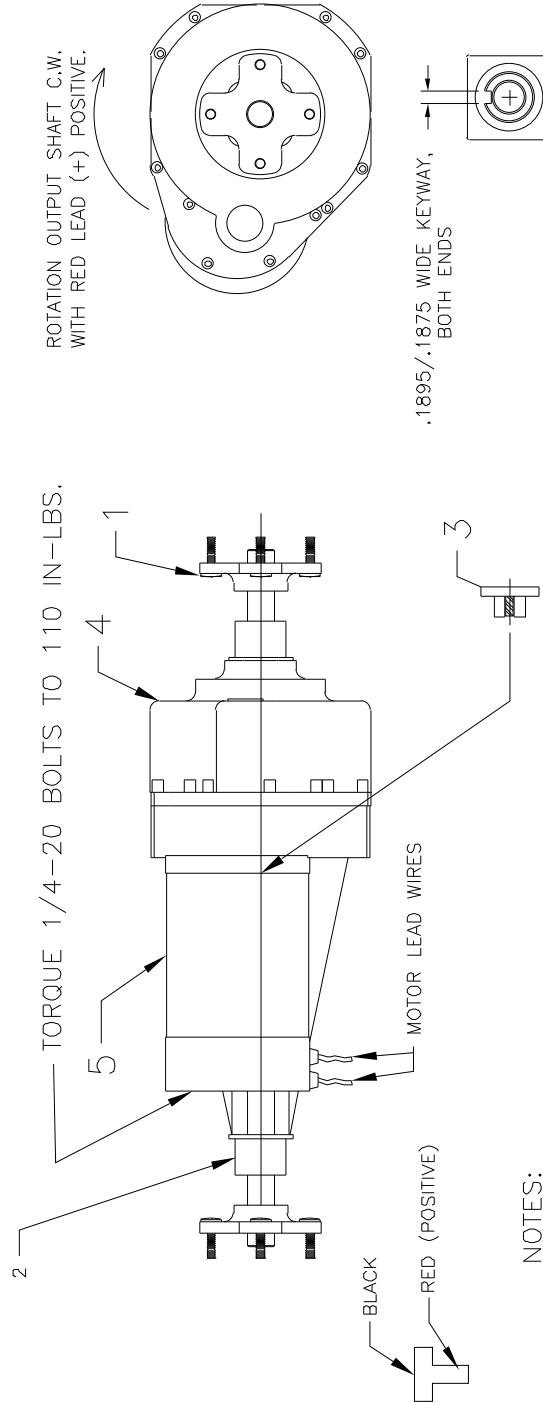


Ref #	Part No.	Description	Qty
1	50981A		
2	60388A	Spacer	1
3	30095A	Tie, Cover Retainer	1
4	80123A	Nut, Brake Drive	1
5	80125A	Key, 3/32 Sq. x 1/4 Lg.	1
6	30094A	Cover, Vinyl	1
7	80124A	Screw Set (Brake Nut to Motor Shaft)	2
8	10160A	Brake, Asm. 24V	1

NOTE: Only use spacer (ref. #2) on transaxles that have a circular step and mounting nuts protruding from end of motor. The motor that uses the spacer can be identified by the motor brush caps protruding past the outside diameter of the motor.

Clarke®
Encore L26 Cylindrical
Transaxle Drawing 7/02

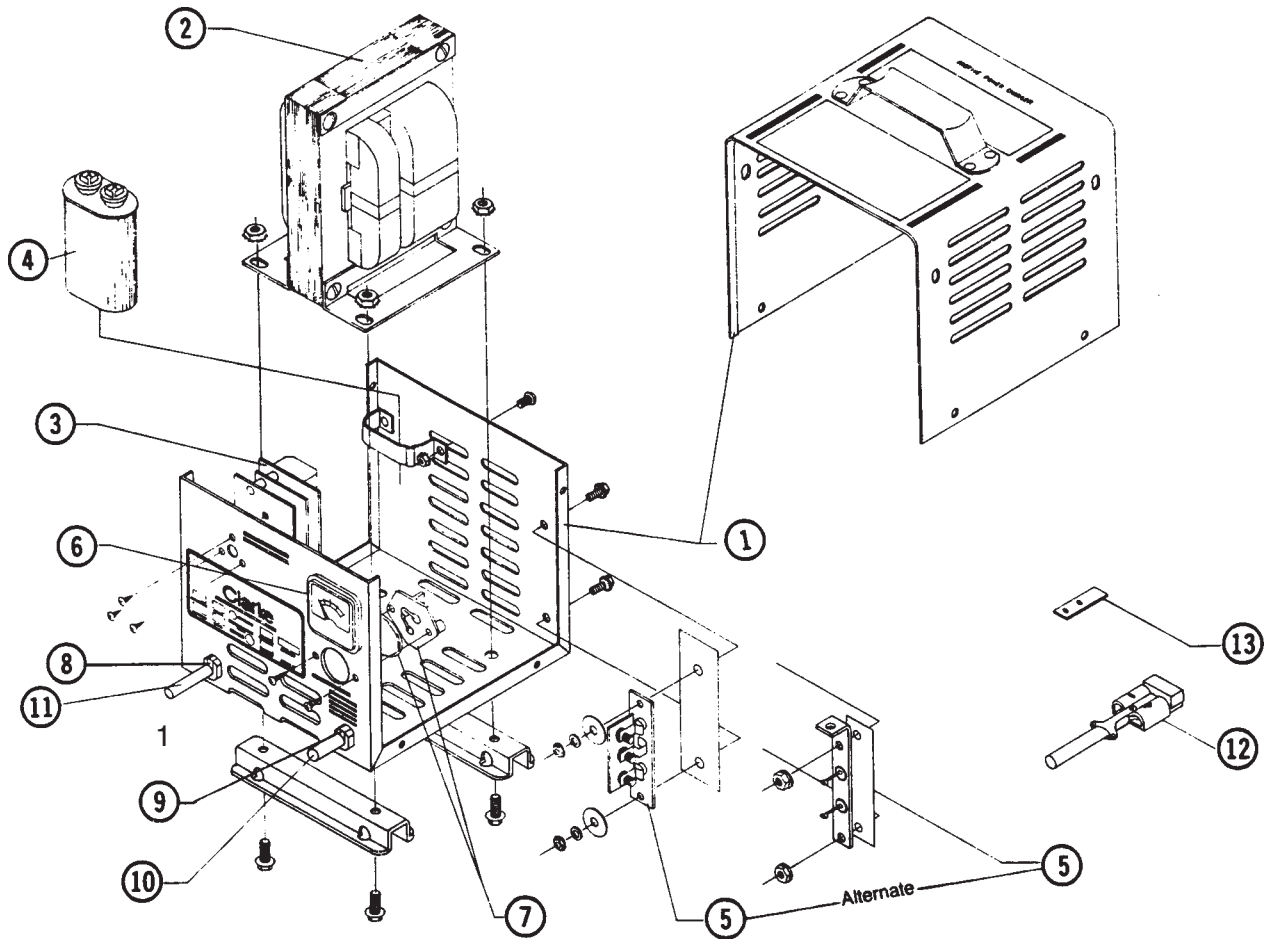
REF. NO.	PART NO.	DESCRIPTION	QTY.
1	1Q135A	FLANGE, WHEEL KIT	2
2	51056A	SLEEVE, ELASTOMERIC	2
3	50983A	COUPLING, MOTOR DRIVE	1
4	50982A	TRANSAXLE, W/O MOTOR	1
5	50981A	MOTOR	1
PARTS LIST			



NOTES:

1. BALL AND NEEDLE BEARING CONSTRUCTION.
2. GEARBOX GREASE LUBRICATED AND LEAKPROOF.
3. AXLES TO BE RUST PROTECTED WITH PLATING
4. GEAR RATIO: 18:1
5. TRANSAXLE ASSEMBLY SUPPLIED WITH RUBBER MOUNT BUSHINGS INSTALLED.
6. MOTOR ASSEMBLY IS FIELD REPLACEABLE.
7. MOTOR FRAME ZINC PLATED.
8. WHEEL FLANGES & STUDS TO BE ZINC PLATED.
9. ELECTRICAL CONNECTORS - USE PACKARD HOUSING # 2984883 AND PACKARD TERMINAL # 2971859

Clarke®
Encore L26 Cylindrical
Battery Charger (40512A & 40513A) Drawing and Parts List 3/08



WARNING: All electrical repairs must be performed by qualified personnel only.

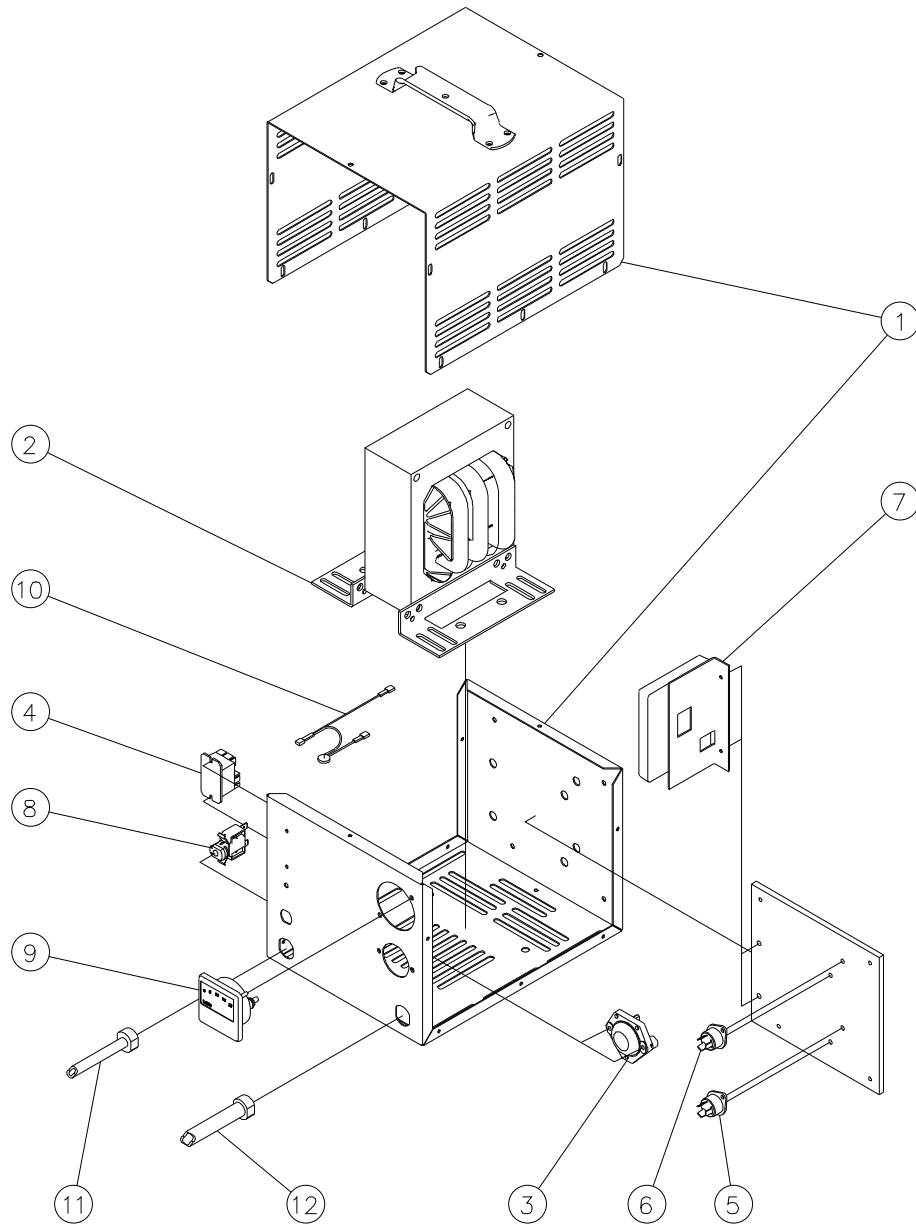
- ◆ **Charger #40512B:** 24 volt, 25 amp D.C., 115 volt, A.C., 60 Hz.
- Charger #40513A:** 24 volt, 25 amp D.C., 230 volt, A.C., 50 Hz

Ref. No.	Description	Charger 40512A	Charger 40513A
1	Charger Case	41129A	41128A
2	Transformer	48413A	48409A
3	Electronic Controller Kit	47500A	48200A
4	Capacitor, 660 V.A.C.	912132	912132
5	Heat Sink Assembly	912212	912212
6	Ammeter	40200A	40200A
7	Fuse Holder	912382	912382
8	Strain Relief, A.C. Cord	837525	837525
9	Strain Relief, D.C. Cord	747553	747553
10	D.C. Cord Assembly	51986A	51986A
11	A.C. Cord Assembly	51974A	908947
12	Housing, Red	911470	911470
13	D.C. Plug Lock Key	795020	795020

* NOTE: Parts not available at this time.

NOTE: ◆ indicates a change has been made since the last publication of this manual.

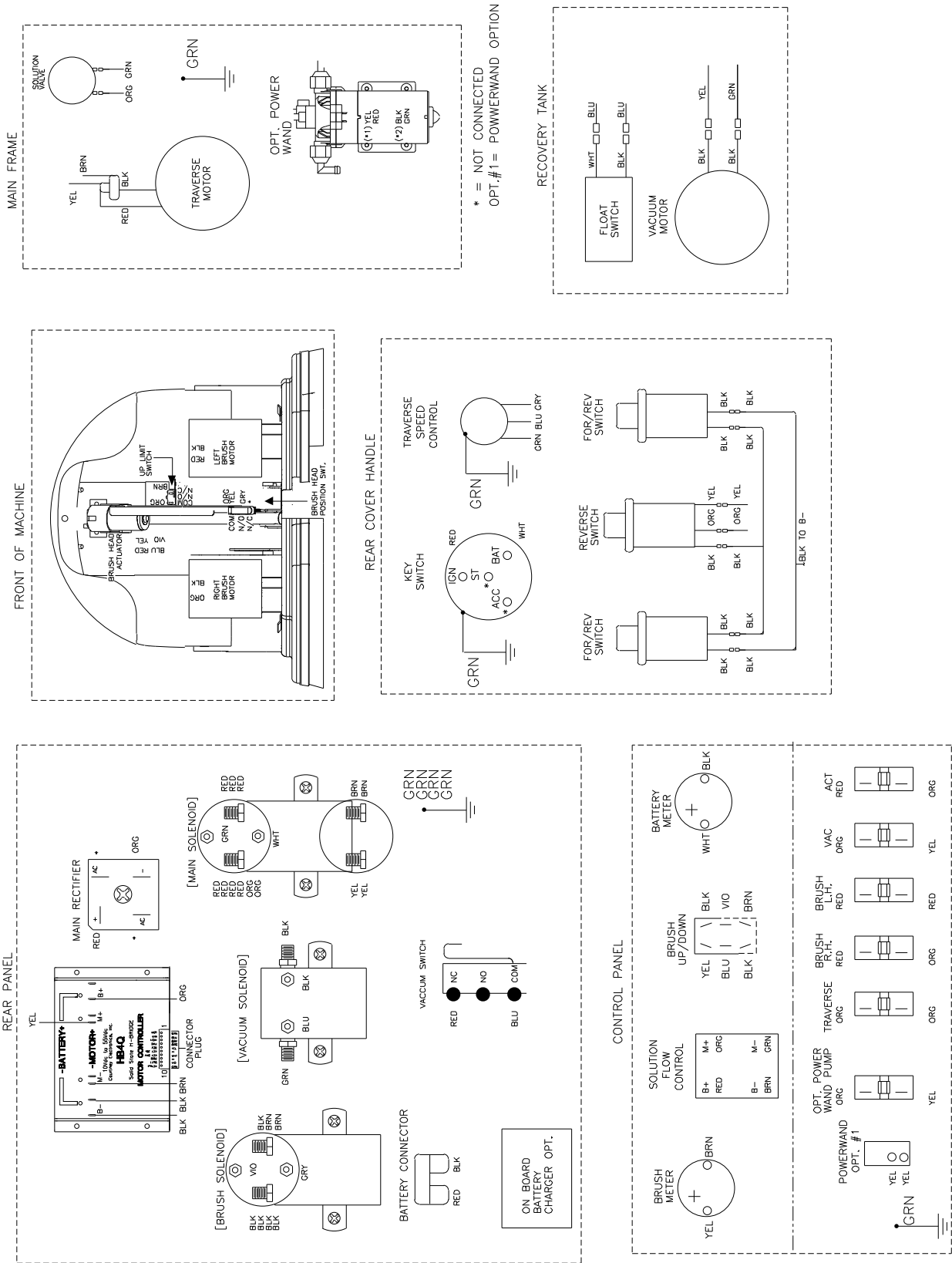
Clarke®
Encore L26 Cylindrical
Battery Charger (40512B & 40506B) Drawing and Parts List 5/06



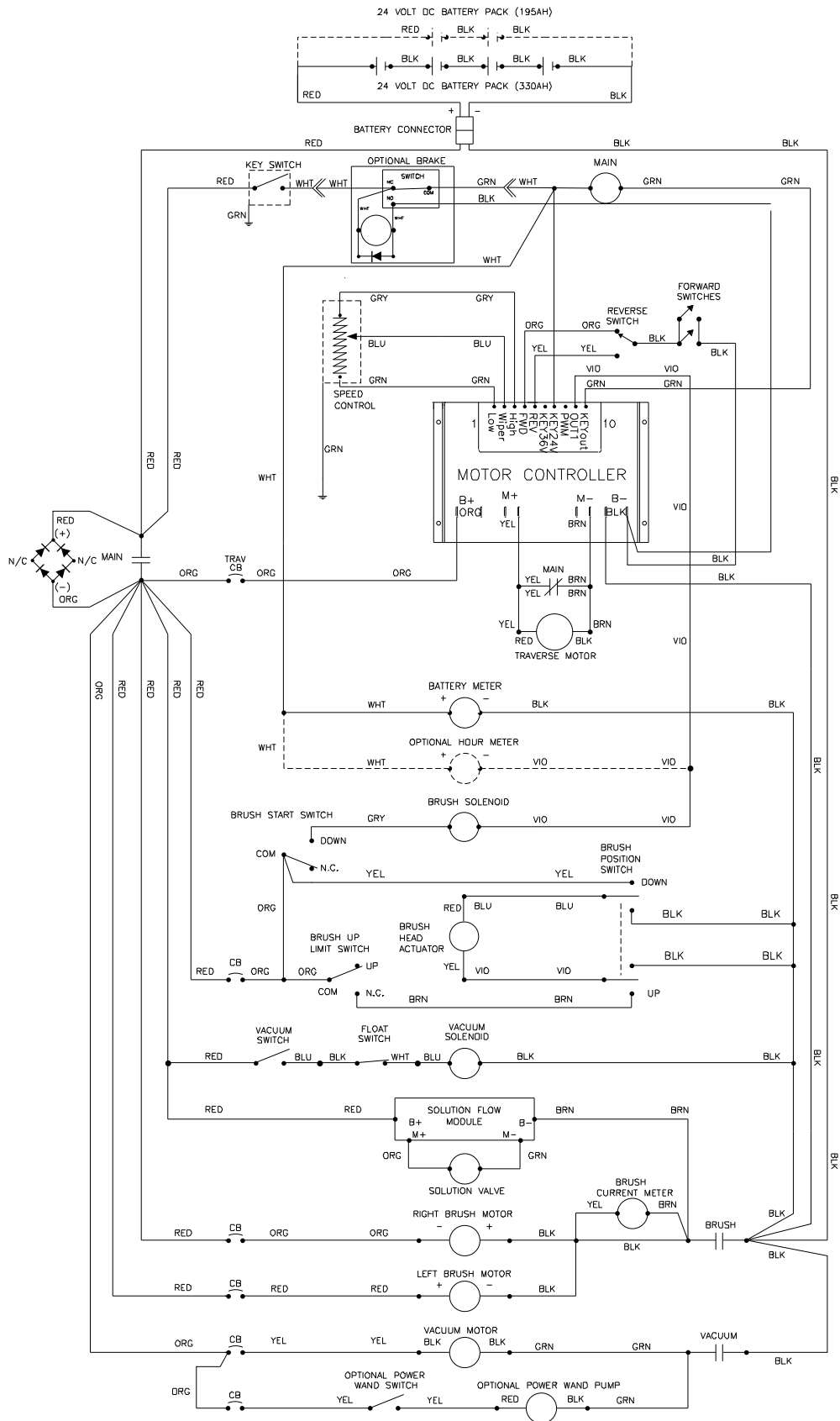
WARNING: All electrical repairs must be performed by qualified personnel only.

REF NO.	DESCRIPTION	40512B 24V 25A	40506B 36V 25A
1	CASE ASSEMBLY		
2	TRANSFORMER ASSEMBLY		
3	FUSE ASSEMBLY	912382	912382
4	D.C. RELAY		
5	SCR ASSEMBLY, BLUE & BROWN WIRES		
6	SCR ASSEMBLY, VIOLET & WHITE WIRES	11085A	11086A
7	ELECTRONIC CONTROLLER ASSEMBLY		
8	A.C. CIRCUIT BREAKER		
9	AMMETER		
10	A.C. SURGE PROTECTION		
11	A.C. CORDSET, 5-15P PLUG AND BUSHING		
12	D.C. CORDSET, SB50 GRAY PLUG W/ KEY		

Clarke® Encore L26 Cylindrical Connection Diagram (00968A - W) 7/02



Clarke® Encore L26 Cylindrical Electrical Schematic (00968A-E) 7/02



ALL BRUSH SWITCHES ARE SHOWN IN THE BRUSH HEAD UP POSITION.

CLARKE PRODUCT SUPPORT BRANCHES

U. S. A. Locations

PRODUCTION FACILITIES

Clarke®, Springdale, Arkansas
2100 Highway 265
Springdale, Arkansas 72764
(479) 750-1000
Customer Service - 1-800-253-0367
Technical Service - 1-800-356-7274

SERVICE FACILITIES

Clarke®, Elk Grove, Illinois 60007
2280 Elmhurst Road
(847) 956-7900

Clarke®, Denver, Colorado 80204
1955 West 13th Ave.
(800) 651- 3760

Clarke®, Houston, Texas 77040
7215 North Gessner Road
713-937-7717

SERVICE AND SALES FACILITY

American Lincoln® / Clarke, Madison Heights,
Michigan 48071-0158
29815 John R.
(810) 544-6300

American Lincoln® / Clarke, Marietta, Georgia 30066
1455 Canton Road
(770) 218-2116

Clarke®

Clarke American Sanders

Customer Service Headquarters and Factory
2100 Highway 265
Springdale, Arkansas 72764
(479) 750-1000

Technical Service
1-800-356-7274

European Locations

PRODUCTION FACILITIES

ALTO Danmark A/S, Aalborg
Blytaekkervej 2
DK-9000 Aalborg
+45 72 18 21 00

ALTO Danmark A/S, Hadsund
Industrivarteret
DK-9560 Hadsund
+45 72 18 21 00

SALES SUBSIDIARIES

ALTO US - Canada, Ontario (Canada)
4080 B Sladeview Crescent Unit 1
Mississauga, Ontario L5L 5Y5
(905) 569 0266

ALTO Cleaning Systems Asia Pte Ltd., Singapore
No. 17 Link Road
Singapore 619034
+65 268 1006

ALTO Deutschland GmbH, Bellenberg (Germany)
Guido-Oberdorfer-Straße 2-8
89287 Bellenberg
+49 0180 5 37 37 37

ALTO Cleaning Systems (UK) Ltd., Penrith
Gilwilly Industrial Estate
Penrith
Cumbria CA11 9BN
+44 1768 868 995

ALTO France S.A. Strasbourg
B.P. 44, 4 Place d'Ostwald
F-67036 Strasbourg
Cedex 2
+33 3 8828 8400

ALTO Nederland B.V.
Postbus 65
3370 AB Hardinxveld-Giessendam
The Netherlands
+31 184 677 200

ALTO Sverige AB, Molndal (Sweden)
Aminogatan 18
Box 4029
S-431 04 Molndal
+46 31 706 73 00

ALTO Norge A/S, Oslo (Norway)
Bjornerudveien 24
N-1266
+47 2275 1770

Clarke® LIMITED U.S. WARRANTY

This Clarke Industrial/Commercial Product is warranted to be free from defects in materials and workmanship under normal use and service, when operated and maintained in accordance with Clarke's Maintenance and Operations instructions. The warranty period is subject to the conditions stated below.

3 YEARS FOR PARTS AND 1 YEAR FOR SERVICE LABOR (See exceptions below)

Motors must be inspected for carbon motor brush wear at six-month intervals by an authorized Clarke repair station. Failure to comply with the six-month inspection requirement or failure to replace worn motor brushes identified during the inspection will void the warranty on the motors. Cost of the six-month inspection and replacement of carbon motor brushes is the responsibility of the purchaser. In the event of a warranty claim on the motors, proof of inspection and any required motor brush replacement must be provided. This warranty is extended only to the original purchaser for use of the product. It does not cover normal wear parts such as electrical cable, rubber parts, hoses and motor brushes.

BATTERY WARRANTY

In addition to the items above, any original equipment Clarke Battery which becomes unserviceable under normal use within a period of ninety (90) days from date of sale to the original user will be repaired or replaced with one of equal specification at our option, F.O.B. any authorized Clarke Sales or Service Branch, with no charge to the user, except transportation costs. After expiration of the above ninety (90) day period, any battery which fails under normal use will be adjusted to the original user with a new battery of equal specification on an eighteen (18) months pro rate basis from the date of purchase. Adjustment will be determined using the then current list price, plus transportation costs.

Warranty is rendered null and void if battery is not kept filled to the proper level with DISTILLED WATER.

CLARKE POLYDUR® AUTOMATIC SCRUBBER SOLUTION AND RECOVERY TANK EIGHT-YEAR U.S. GUARANTEE

Your new Clarke Encore L26 has polydur Solution and Recovery Tanks. Polydur is a rotationally molded, low-density linear polyethylene that won't crack or dent, and withstands most corrosives and temperature extremes. Clarke backs up your Polydur tanks with an eight-year guarantee. If a tank breaks or leaks under normal use within eight years of the date of purchase, it will be replaced free.

CLARKE UNIBODY FRAME EIGHT-YEAR U.S. WARRANTY

Clarke warrants the frame of the Encore L26 for a period of eight years against defects in materials and workmanship under normal use and service.

STATED WARRANTIES ARE IN LIEU OF ALL OTHER WARRANTIES, EXPRESSED OR IMPLIED

Clarke's liability under this warranty is limited to repair of the product and/or replacement of parts and is given to purchaser in lieu of all other remedies, including INCIDENTAL AND CONSEQUENTIAL DAMAGES.

THERE ARE NO EXPRESS WARRANTIES OTHER THAN THOSE SPECIFIED HEREIN. THERE ARE NO WARRANTIES WHICH EXTEND BEYOND THE DESCRIPTION OF THE FACE HEREOF. NO WARRANTIES, INCLUDING BUT NOT LIMITED TO WARRANTY OF MERCHANTABILITY, SHALL BE IMPLIED. A warranty registration card is provided with your Clarke product. Return the card to assist Clarke in providing the performance you expect from your new floor machine.

If a difficulty develops with the product, you should: a) Contact the nearest authorized Clarke repair location or contact the Clarke Service Operations Department, 2100 Highway 265, Springdale, Arkansas 72764, for the nearest authorized Clarke repair location. Only these locations are authorized to make repairs to the product under this warranty. (b) Return the product to the nearest Clarke repair location. Transportation charges to and from the repair location must be prepaid by the purchaser. Clarke will repair the product and/or replace any defective parts with out charge within a reasonable time after receipt of the product. Clarke, 2100 Highway 265, Springdale, Arkansas 72764.

Clarke reserves the right to make changes or improvements to its machine without notice.

Always use genuine Clarke Parts for repair.

Clarke®

**2100 Highway 265
Springdale, Arkansas, 72764**