



Electronic Service Manuals

This electronic document is provided as a service to our customers. We do not create the contents of the information contained in this document. Should you have detailed questions pertaining to the information contained in this document, you may contact Michco, or the manufacturer which provided the original information in this electronic deliverable. Michco's only part in this electronic deliverable was the electronic assembly process. By providing this manual on line we are not guaranteeing parts availability.

You may contact Michco through the following methods:

Phone (517) 484-9312 or (800) 331-3339

2011 N. High St. -- Lansing, Michigan -- 48906

Fax: (517) 484-9836

Email: CustServe@Michco.com

Web site: www.Michco.Com

Parts Web site: www.FloorMachineParts.Com

Order Parts on Line at:

www.FloorMachineParts.Com

Directly to Parts & Service:

By Email: **Shop@Michco.com**

By Fax: (517) 702-2041

By Voice: Use numbers above.

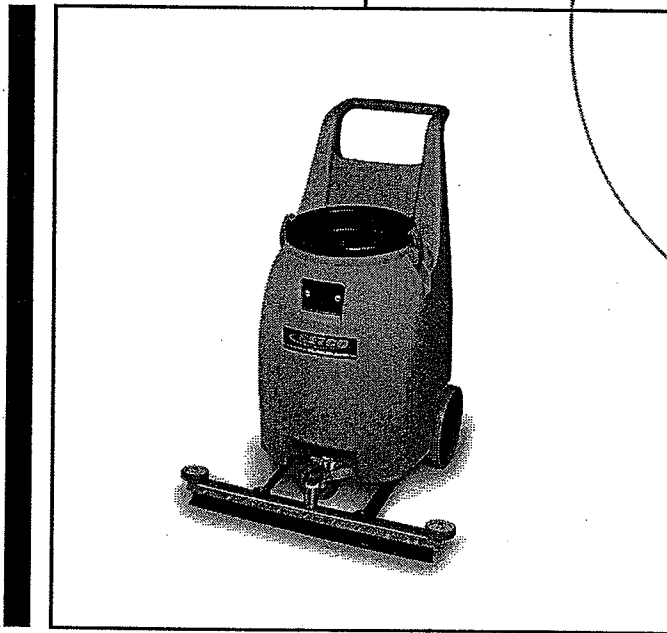
Serving the Cleaning Industry Since 1922

Notice: All copyrighted material remains property of original owners, all trademarks are property of respective owners. Manuals are subject to Manufacturer's reproduction limitations. Originals or reproductions were provided by manufacturers through a request. We make no warranty as to the correctness of information provided in this document and you assume all risk. By placing these manuals on line we are not declaring our corporation to be an manufacturer authorized dealer or provider, please check our web site for authorized manufacturers we represent.

Pourman™ 25 Gallon Solution Applicator

Item #83008-00

Operator's Manual Parts Schematic



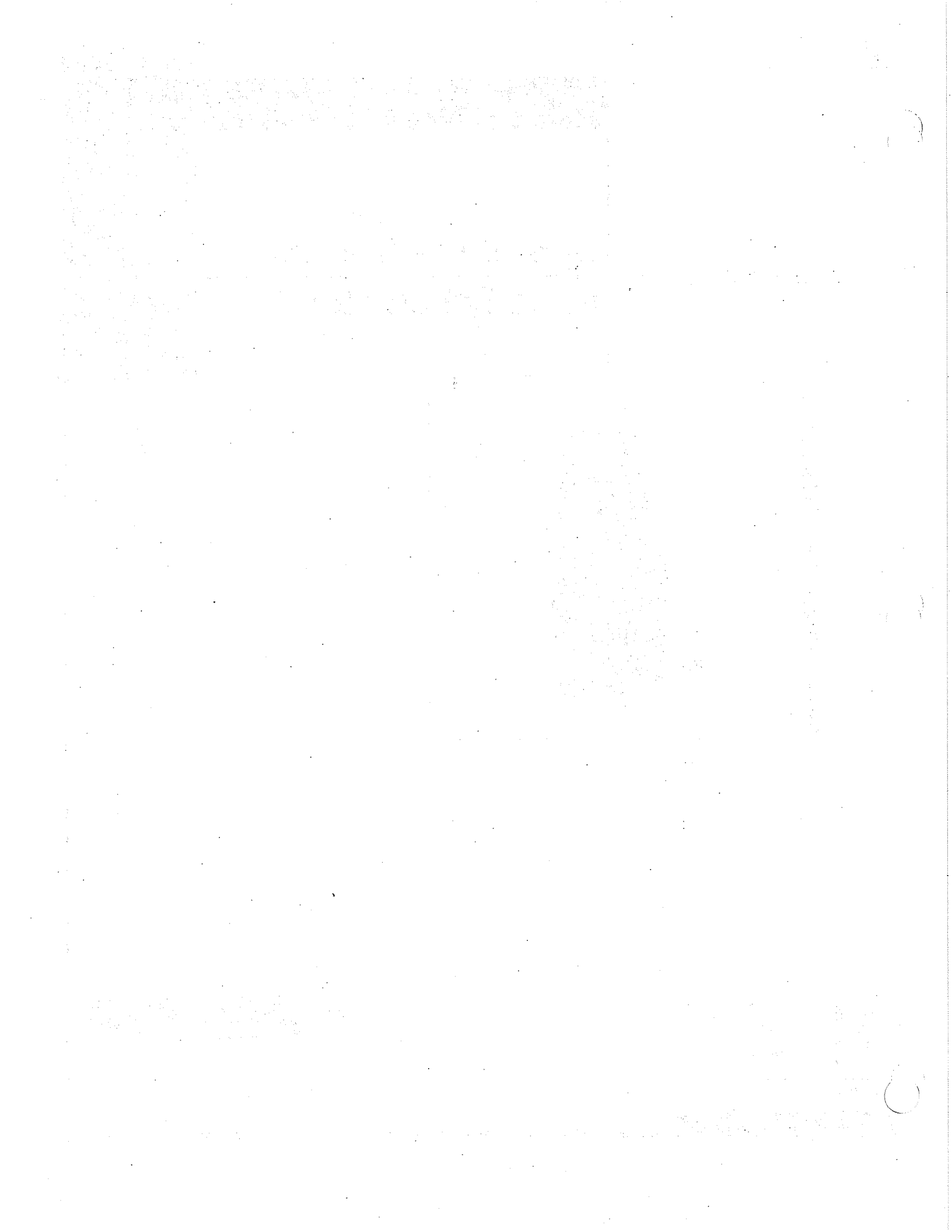
Chemicals

Equipment

Programs

Process

BETCO®



General Safety Information

When using this product, basic precautions should always be followed, read all instructions before using.

! WARNING! To reduce risk of injury:

- Do not allow to be used as a toy. Close attention is necessary when used by or near children.
- Use only as described in this manual. Use only manufacturer's recommended attachments.
- Wear proper anti-slip shoes when operating this machine.
- Always use safety gloves and glasses when mixing chemicals.
- Do not use with if damaged. If machine is not working as it should return it to a service center for inspection.
- Do not put any foreign object into openings. Do not use with any opening blocked; keep free of dust, lint, hair, & anything that may reduce flow.
- Turn off valve for storage.
- Do not use in or around flammable or combustible liquids such as gasoline or use in areas where they may be present.

Preparation and Operation

Attach front mount solution bracket to base of machine.

Attach stainless steel solution spreader bar to front mount bracket. Make sure spreader broom is positioned on front of machine. Tighten plastic knobs hand tight only.

Insert plastic solution hose coupler into plastic solution spreader bar in side stainless steel solution spreader.

Be sure solution valve is in the off position.

Fill tank with water and appropriate chemical for job.

You are now ready to begin your cleaning task.

Open solution valve to appropriate flow rate.

Pull the machine backwards at a pace that allows solution to spread evenly.

After Use

Drain all left over solution from tank.

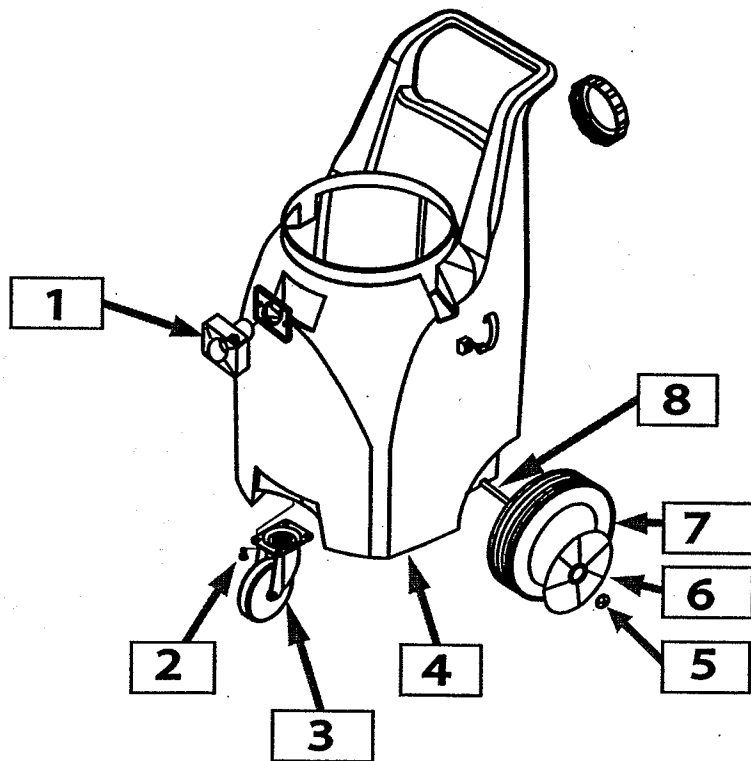
Rinse tank with water.

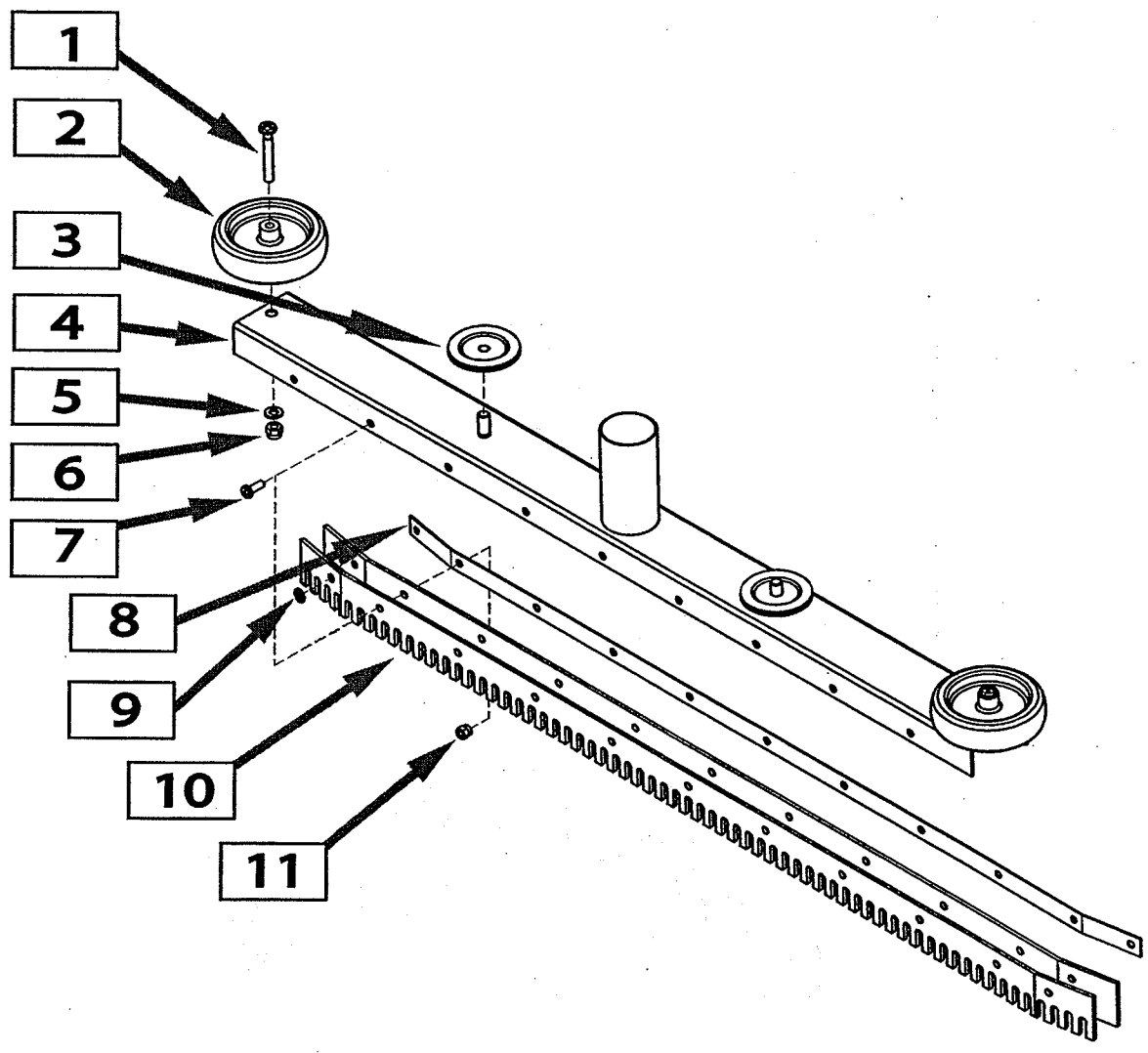
Remove stainless steel solution spreader and rinse with water..

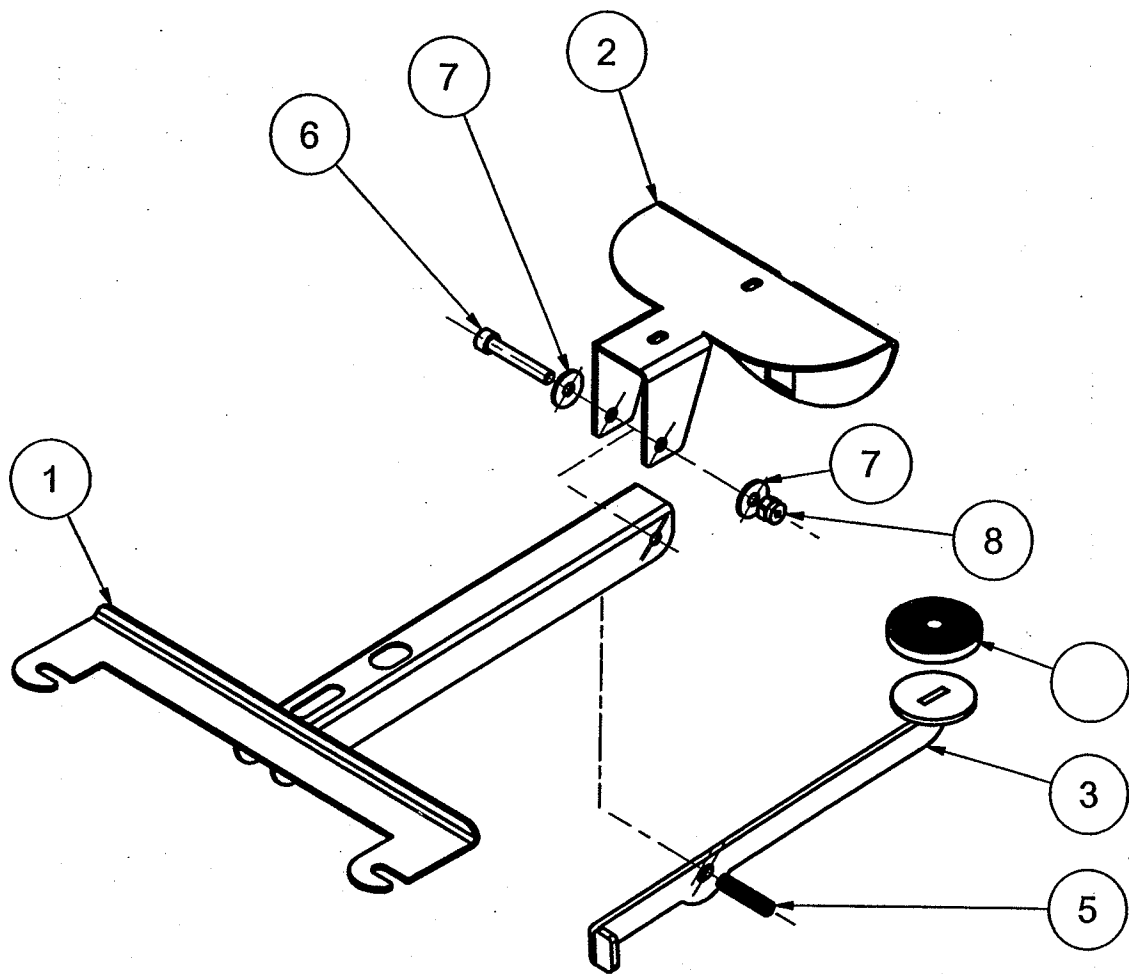
Wipe the entire machine with a clean, damp cloth.

Inspect the machine & all accessories for damage. Perform any required maintenance or repairs before storage.

Store the machine in a clean, dry place.







Pourman Solution Applicator

View#	Betco SKU	Cross Ref.	Squeegee Lift Bracket
1		41.002	Lift Bracket
2		42.002	Tank Bracket
3		42.003	Pedal
4		41.006	Rubber Pad
5		98.003	Pin
6		90.024	Bolt
7		97.226	Washer
8		90.019	Nut
View#	Betco SKU	Cross Ref.	Tanks and Casters Parts
1	NA	NA	Tank Hole Plate
2	8203400	90021	20 Gal Mounting Bolt/Front Caster
3	8203500	60123	20 Gal Front Caster
4	8203300	60122	20 Gal Tank
5	8203100	58036	20 Gal Rear Wheel Axle Cap
6	8203000	940042	20 Gal Rear Wheel Hub Cap
7	8330600	940041	20 Gal Rear Wheels
8	8202900	75015/8	20 Gal Axle
NA	8330700	60150	20 Gal Large Tip/Pour Drain Cap
NA	8202700	PL061	Plastic Tank Clamps
NA		Not Shown	Solution Valve Rod
NA		Not Shown	Solution Rod Knob
NA		Not Shown	Valve
NA		Not Shown	Tubeing
NA		Not Shown	Grip It
NA		Not Shown	Tank Cover and Gasket
View#	Betco SKU	Cross Ref.	Front Mount Solution Bar
1		10.554	Wheel Bolt
2		41.016	Wheel
3		94.0049	Knob
4		41.004	Stainless Steel Front Mount Channel
5		10.402/A2	Lock Washer
6		10.2005	Nut
7		10.089	Squeegee Broom Retainer Bolt
8		41.005	Broom Retainer Strap
9		10.068	Retainer Washer
10		41.015	Solution Spreader Broom
11		10.538/A2	Retainer Lock Nut
Not Shown		NA	PVC Tube with Caps
Not Shown		NA	PVC Tube Clamps