



## Electronic Service Manuals

This electronic document is provided as a service to our customers. We do not create the contents of the information contained in this document. Should you have detailed questions pertaining to the information contained in this document, you may contact Michco, or the manufacturer which provided the original information in this electronic deliverable. Michco's only part in this electronic deliverable was the electronic assembly process. By providing this manual on line we are not guaranteeing parts availability.

You may contact Michco through the following methods:

Phone (517) 484-9312 or (800) 331-3339

2011 N. High St. -- Lansing, Michigan -- 48906

Fax: (517) 484-9836

Email: [CustServe@Michco.com](mailto:CustServe@Michco.com)

Web site: [www.Michco.Com](http://www.Michco.Com)

Parts Web site: [www.FloorMachineParts.Com](http://www.FloorMachineParts.Com)

Order Parts on Line at:

**[www.FloorMachineParts.Com](http://www.FloorMachineParts.Com)**

Directly to Parts & Service:

By Email: **[Shop@Michco.com](mailto:Shop@Michco.com)**

By Fax: (517) 702-2041

By Voice: Use numbers above.

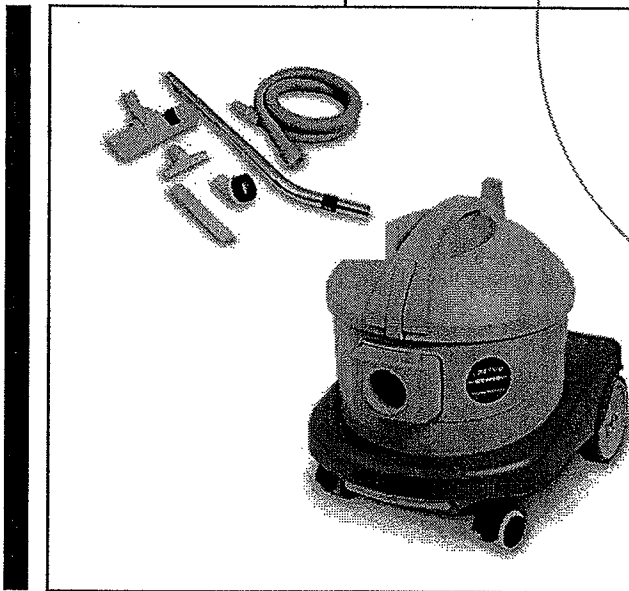
**Serving the Cleaning Industry Since 1922**

Notice: All copyrighted material remains property of original owners, all trademarks are property of respective owners. Manuals are subject to Manufacturer's reproduction limitations. Originals or reproductions were provided by manufacturers through a request. We make no warranty as to the correctness of information provided in this document and you assume all risk. By placing these manuals on line we are not declaring our corporation to be an manufacturer authorized dealer or provider, please check our web site for authorized manufacturers we represent.

**CV100T Dry Canister Vacuum**

*Item #85023-00*

**Operator's Manual and  
Parts Schematic**



*Chemicals  
Equipment  
Programs  
Process*





**IMPORTANT SAFETY INSTRUCTIONS**

When using an electrical appliance, basic precautions should always be followed, read all instructions before using.

**! WARNING!**

To reduce risk of fire, electric shock, or injury:

- \* Do not leave the machine when it is plugged in. Unplug the unit from the outlet when not in use & before servicing.
- \* To avoid electric shock, do not expose machine to rain. Store indoors.
- \* Do not allow to be used as a toy. Close attention is necessary when used by or near children.
- \* Use only as described in this manual. Use only manufacturer's recommended attachments.
- \* Do not use with damaged cord or plug. If machine is not working as it should return it to a service center for inspection.
- \* Do not pull or carry by cord, use cord as a handle, close a door on a cord, or pull cord around sharp edges or corners. Do not run machine over cord. Keep cord away from heated surfaces.
- \* Do not unplug by pulling on cord. To unplug, grasp the plug, not the cord.
- \* Do not handle plug or machine with wet hands.
- \* Do not put any foreign object into openings. Do not use with any opening blocked; keep free of dust, lint, hair, & anything that may reduce airflow.
- \* Keep hair, loose clothing, fingers, & all parts of body away from openings & moving parts.
- \* Turn off all controls before unplugging.
- \* Do not use in or around flammable or combustible liquids such as gasoline or use in areas where they may be present.
- \* Connect to a properly grounded outlet only. See grounding instructions.

## GROUNDING INSTRUCTIONS

This machine must be grounded. If it should electrically malfunction, grounding provides a path of least resistance for electric current to reduce the risk of electric shock. This machine is equipped with a cord having an equipment-grounding conductor & grounding plug. The plug must be plugged into an appropriate outlet that is properly installed & grounded in accordance with all local codes & ordinances.

### **! DANGER!**

Improper connection of the equipment-grounding conductor can result in a risk of electric shock. Check with a qualified electrician or service person if you are in doubt as to whether the outlet is properly grounded. Do not modify the plug provided with the machine. If plug will not fit the outlet, have a proper outlet installed by a qualified electrician.

Replace the plug if the grounding pin is damaged or broken.

Extension cords connected to this machine should be 12 gauge, 3-wire cords with 3-prong plugs & outlets. DO NOT use extension cords more than 50 feet long.

## PREPARING THE MACHINE FOR OPERATION

### **! WARNING!**

This machine contains moving parts. To reduce the risk of injury, always unplug the power cord before servicing.

Unwrap the power cord completely & plug into a properly grounded outlet.

Install paper filter bag.

Attach swivel hose connector and hose to tank inlet.

Attach appropriate cleaning tool.

Turn switch to on position.

You are now ready to begin your cleaning task.

**AFTER USE**

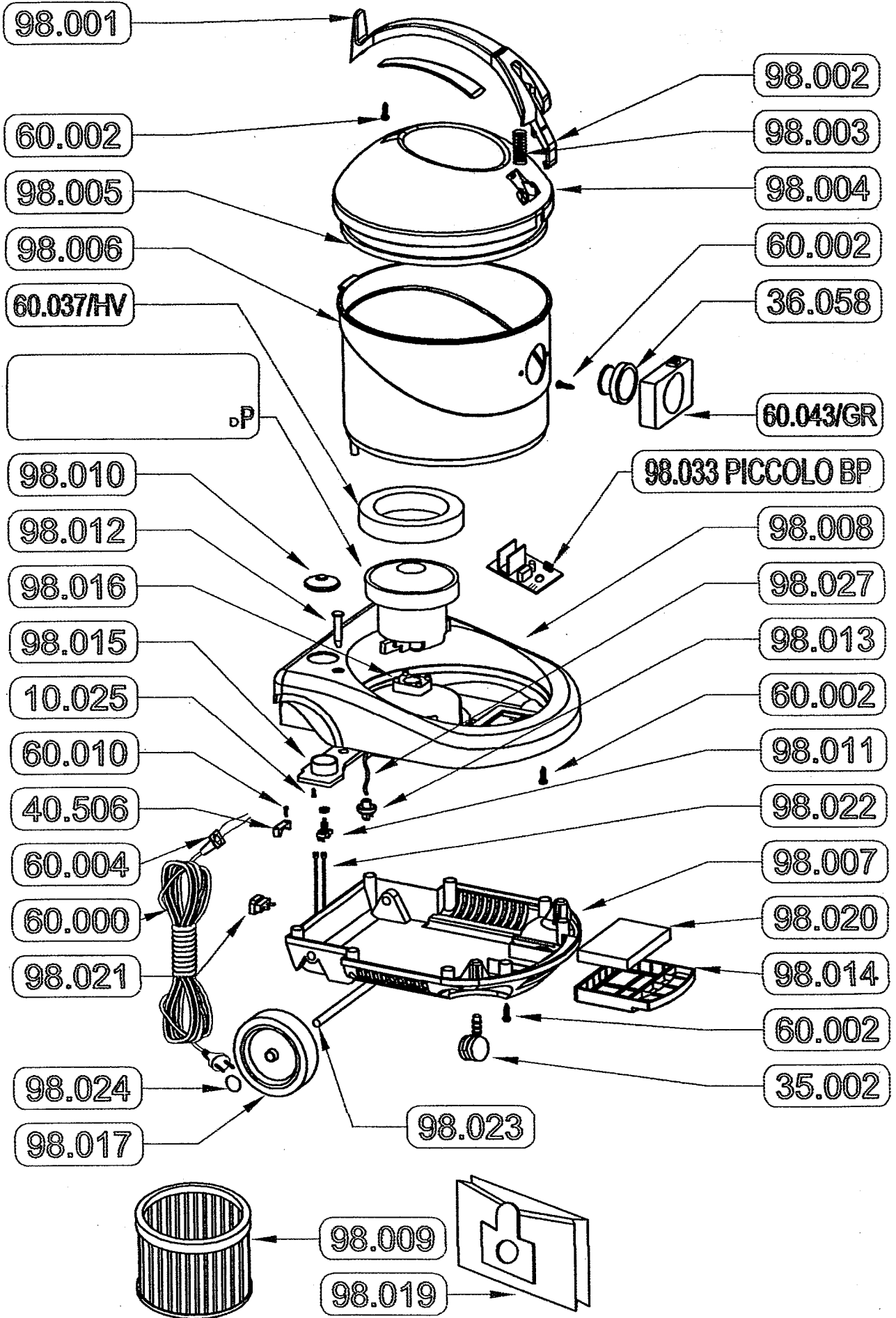
**Unplug the power cord, starting from the machine wrap the power cord onto the head assembly.**

**Check paper filter, replace as necessary.**

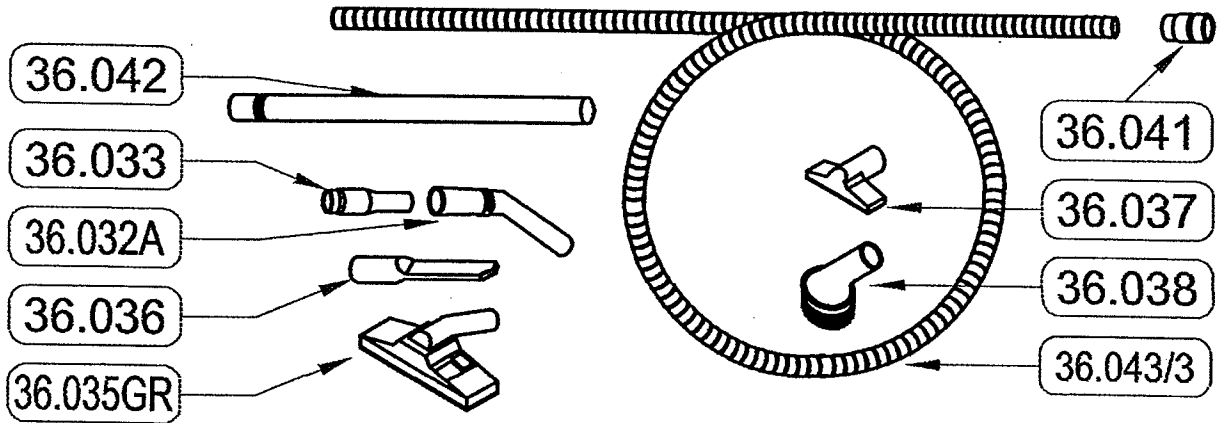
**Wipe the entire machine with a clean, damp cloth.**

**Inspect the machine & all accessories for damage. Perform any required maintenance or repairs before storage.**

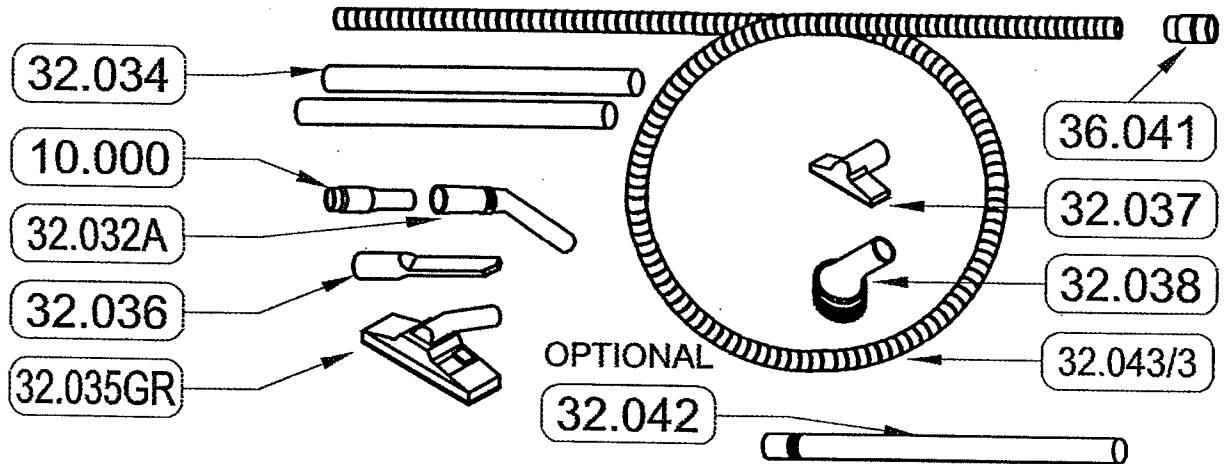
**Store the machine in a clean, dry place.**



Ø36



Ø32



Ø32

