



Electronic Service Manuals

This electronic document is provided as a service to our customers. We do not create the contents of the information contained in this document. Should you have detailed questions pertaining to the information contained in this document, you may contact Michco, or the manufacturer which provided the original information in this electronic deliverable. Michco's only part in this electronic deliverable was the electronic assembly process. By providing this manual on line we are not guaranteeing parts availability.

You may contact Michco through the following methods:

Phone (517) 484-9312 or (800) 331-3339

2011 N. High St. -- Lansing, Michigan -- 48906

Fax: (517) 484-9836

Email: CustServe@Michco.com

Web site: www.Michco.Com

Parts Web site: www.FloorMachineParts.Com

Order Parts on Line at:

www.FloorMachineParts.Com

Directly to Parts & Service:

By Email: **Shop@Michco.com**

By Fax: (517) 702-2041

By Voice: Use numbers above.

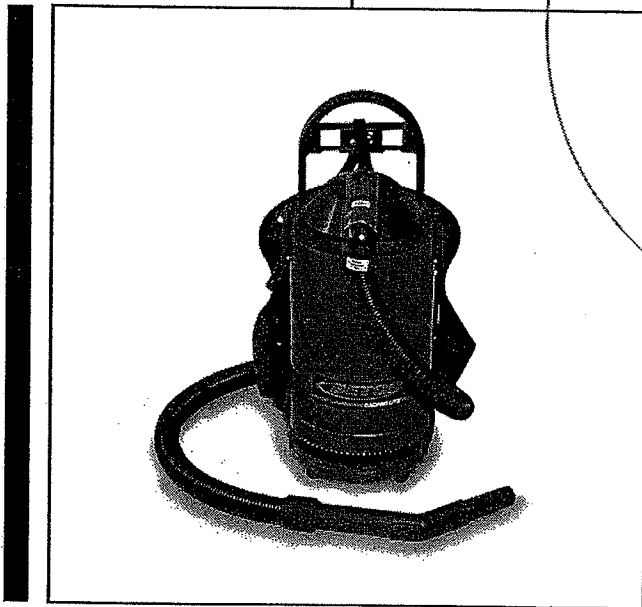
Serving the Cleaning Industry Since 1922

Notice: All copyrighted material remains property of original owners, all trademarks are property of respective owners. Manuals are subject to Manufacturer's reproduction limitations. Originals or reproductions were provided by manufacturers through a request. We make no warranty as to the correctness of information provided in this document and you assume all risk. By placing these manuals on line we are not declaring our corporation to be an manufacturer authorized dealer or provider, please check our web site for authorized manufacturers we represent.

Bac Pac Lite 5 Liter Bac Pac Vacuum

Item #85903-00

**Operator's Manual
Parts Schematic**



*Chemicals
Equipment
Programs
Process*



Bac Pac Lite Dry Canister Vacuum

Table of Contents

Technical Information & Safety	Page	3, 4
Preparation & Operation	Page	5
After Use & Maintenance	Page	5
Part Schematic	Page	6, 7

Bac Pac Lite Dry Canister Vacuum

Technical Information

Tank Size	5 - Liter
Vacuum Motor	1.5 hp (1-stage direct)
Noise Level	65 dB
Filtration	Triple (Paper Bag, Cloth Bag & Motor)
Airflow	120 cfm
Water Lift	100"
Power Cord	50'
Length	9.5"
Width	10.5"
Height	23.5"
Weight	10.5 lbs
Tool Kit	Included
Productivity	2,700 sq. ft./hour

Bac Pac Lite Dry Canister Vacuum

General Safety Information

When using an electrical appliance, basic precautions should always be followed, read all instructions before using.

! WARNING! To reduce risk of fire, electric shock, or injury:

- Do not leave the machine when it is plugged in. Unplug the unit from the outlet when not in use & before servicing.
- To avoid electric shock, do not expose machine to rain. Store indoors.
- Do not allow to be used as a toy. Close attention is necessary when used by or near children.
- Use only as described in this manual. Use only manufacturer's recommended attachments.
- Do not use with damaged cord or plug. If machine is not working as it should return it to a service center for inspection.
- Do not pull or carry by cord, use cord as a handle, close a door on a cord, or pull cord around sharp edges or corners. Do not run machine over cord. Keep cord away from heated surfaces.
- Do not unplug by pulling on cord. To unplug, grasp the plug, not the cord.
- Do not handle plug or machine with wet hands.
- Do not put any foreign object into openings. Do not use with any opening blocked; keep free of dust, lint, hair, & anything that may reduce airflow.
- Keep hair, loose clothing, fingers, & all parts of body away from openings & moving parts.
- Turn off all controls before unplugging.
- Do not use in or around flammable or combustible liquids such as gasoline or use in areas where they may be present.

Grounding Instructions

This machine must be grounded. If it should electrically malfunction, grounding provides a path of least resistance for electric current to reduce the risk of electric shock. This machine is equipped with a cord having an equipment-grounding conductor & grounding plug. The plug must be plugged into an appropriate outlet that is properly installed & grounded in accordance with all local codes & ordinances.

! DANGER !

Improper connection of the equipment-grounding conductor can result in a risk of electric shock. Check with a qualified electrician or service person if you are in doubt as to whether the outlet is properly grounded. Do not modify the plug provided with the machine. If plug will not fit the outlet, have a proper outlet installed by a qualified electrician.

Replace the plug if the grounding pin is damaged or broken.

Extension cords connected to this machine should be 12 gauge, 3-wire cords with 3-prong plugs & outlets. DO NOT use extension cords more than 50 feet long.

Bac Pac Lite Dry Canister Vacuum

Preparation and Operation

Unwrap the power cord completely & plug into a properly grounded outlet.

Install paper filter bag.

Attach swivel hose connector and hose to tank inlet.

Attach appropriate cleaning tool.

Turn switch to on position.

You are now ready to begin your cleaning task.

After Use

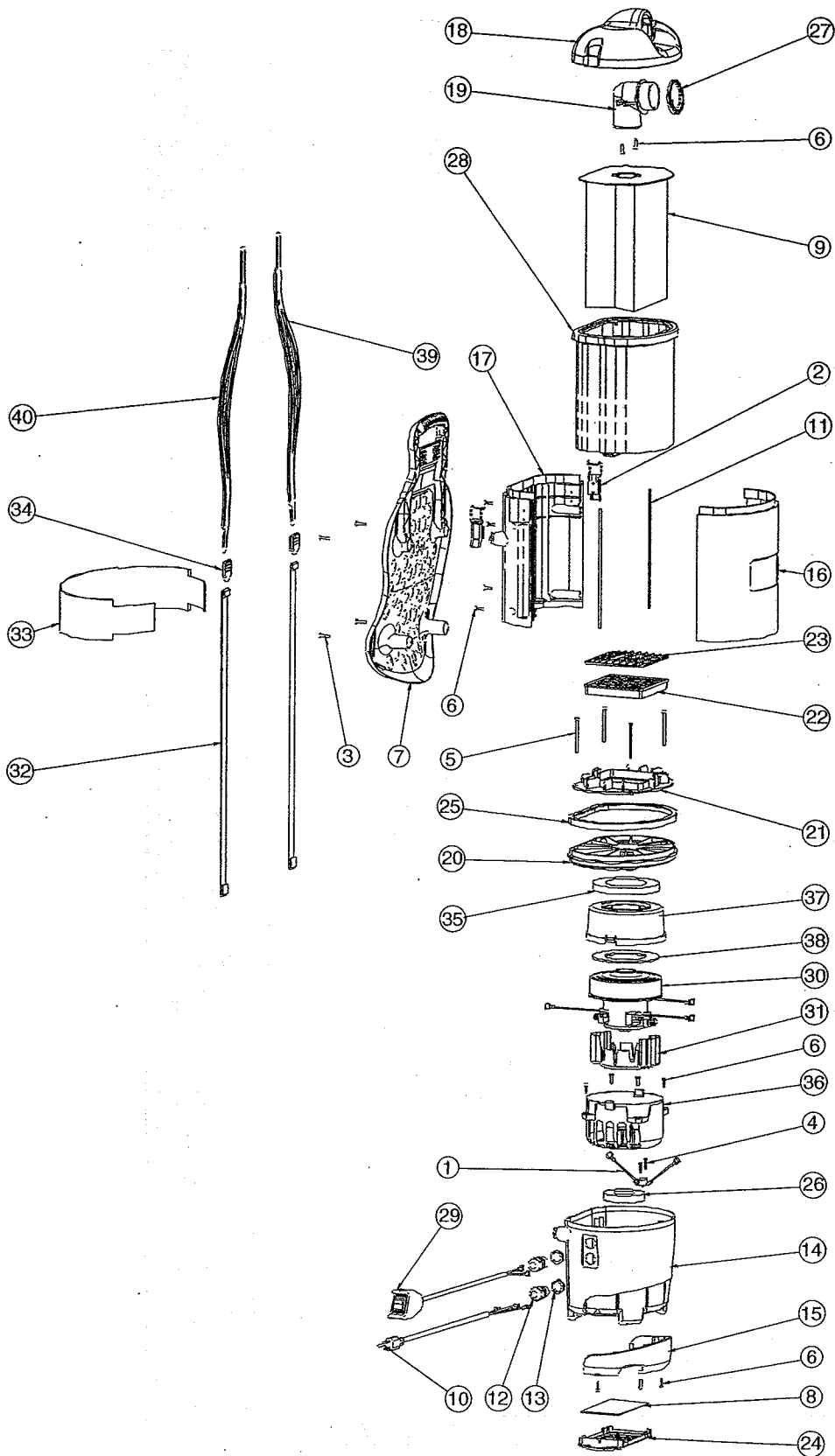
Unplug the power cord, starting from the machine wrap the power cord onto the head assembly.

Check paper filter, replace as necessary.

Wipe the entire machine with a clean, damp cloth.

Inspect the machine & all accessories for damage. Perform any required maintenance or repairs before storage.

Store the machine in a clean, dry place.



View #	BETCO #	DESCRIPTION	Ref.#
1	82952	THERMAL PROTECTION SWITCH	A328-1400
2	82953	LATCH	A352-3300
3	82954	#10 .750 TYPE B PHILIPS PAN HEAD SCREW	A352-8100
4	82955	#6 X .375 HI-LO PHILIPS PAN HEAD SCREW	A352-8200
5	82956	#8-16 X 2.500 PHILIPS PAN HEAD SCREW	A430-0205
6	82957	#8 X .625 HI-LO PHILIPS PAN HEAD SCREW	A732-8300
7	82958	BACK REST	B352-1314
8	82959	POST FILTER	B352-2400
9	82960	PAPER BAG	B352-2500
10	82961	POWER HARNESS	B352-3200
11	82962	BAG COMPARTMENT SEAL	B352-6100
13	82963	HEYCO FITTING	B352-600
12	82964	STRAIN RELIEF	B352-6800
14	82965	MOTOR COMPARTMENT	B352-0100
15	82966	BUMPER	B352-0200
16	82967	FRONT PLATE	B352-0300
17	82968	BACK PLATE	B352-0400
18	82969	COVER	B352-0500
19	82970	HOSE INLET	B352-0600
20	82971	MOTOR COVER	B352-0700
21	82972	SECONDARY FILTER PLATE	B352-0800
22	82973	SECONDARY FILTER FRAME	B352-0900
23	82974	SECONDARY FILTER CAP	B352-1000
24	82975	POST FILTER FRAME	B352-1100
25	82976	BODY SEAL	B352-1200
26	82977	BOTTOM MOTOR MOUNT	B352-1900
27	82978	INLET SEAL	B352-4800
28	82979	SHAKE OUT BAG	C352-1400
29	82980	SWITCH HARNESS	C352-2800
30	82981	5.1" SINGLE STAGE TEK MOTOR	A113-2600
31	82982	TEK MOTOR SHROUD PC	B113-0915
32	82983	SHOULDER HARNESS STRAP	B352-5800
33	82984	WAIST BELT	B352-6600
34	82985	SHOULDER STRAP BUCKLE	B352-6700
35	82986	TOP MOTOR MOUNT	B352-1800
36	82987	MOTOR SHROUD BOTTOM 5.1 - 1 STAGE	B352-5300
37	82988	MOTOR SHROUD TOP 5.1 - 1 STAGE	B352-5400
38	82989	MOTOR SEAL	B352-5500
39	82990	RIGHT SHOULDER HARNESS	B352-5600
40	82991	LEFT SHOULDER HARNESS	B352-5700
		NOT ILLUSTRATED	
Not Shown	82992	CREVISE TOOL	B352-3600
Not Shown	82993	UPHOLSTRY TOOL	B352-3500
Not Shown	82994	DUST BRUSH ASSEMBLY	C352-499
Not Shown	82995	CARPET TOOL ASSEMBLY	C352-4100
Not Shown	82996	BARE FLOOR TOOL ASSEMBLY	C352-4400
Not Shown	82997	HOSE	A352-3600
Not Shown	82998	TELESCOP WAND	B352-6900
Not Shown	82999	50' EXTENSION CORD 16-3 SJT YELLOW	A134-0441

