



Electronic Service Manuals

This electronic document is provided as a service to our customers. We do not create the contents of the information contained in this document. Should you have detailed questions pertaining to the information contained in this document, you may contact Michco, or the manufacturer which provided the original information in this electronic deliverable. Michco's only part in this electronic deliverable was the electronic assembly process. By providing this manual on line we are not guaranteeing parts availability.

You may contact Michco through the following methods:

Phone (517) 484-9312 or (800) 331-3339

2011 N. High St. -- Lansing, Michigan -- 48906

Fax: (517) 484-9836

Email: CustServe@Michco.com

Web site: www.Michco.Com

Parts Web site: www.FloorMachineParts.Com

Order Parts on Line at:

www.FloorMachineParts.Com

Directly to Parts & Service:

By Email: **Shop@Michco.com**

By Fax: (517) 702-2041

By Voice: Use numbers above.

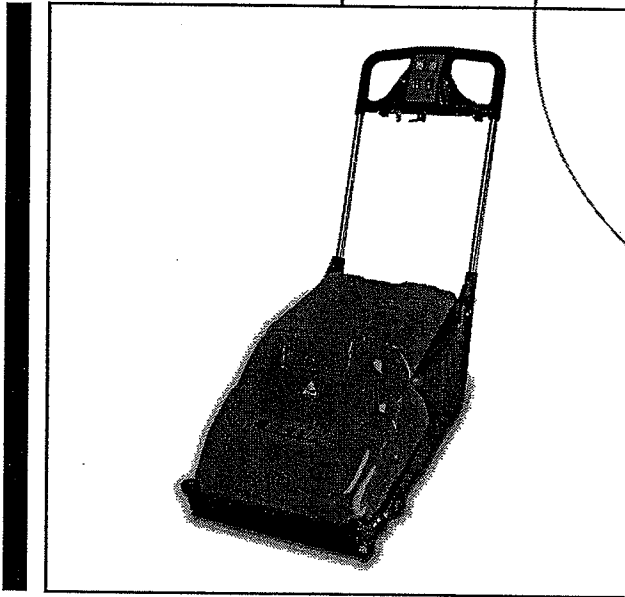
Serving the Cleaning Industry Since 1922

Notice: All copyrighted material remains property of original owners, all trademarks are property of respective owners. Manuals are subject to Manufacturer's reproduction limitations. Originals or reproductions were provided by manufacturers through a request. We make no warranty as to the correctness of information provided in this document and you assume all risk. By placing these manuals on line we are not declaring our corporation to be an manufacturer authorized dealer or provider, please check our web site for authorized manufacturers we represent.

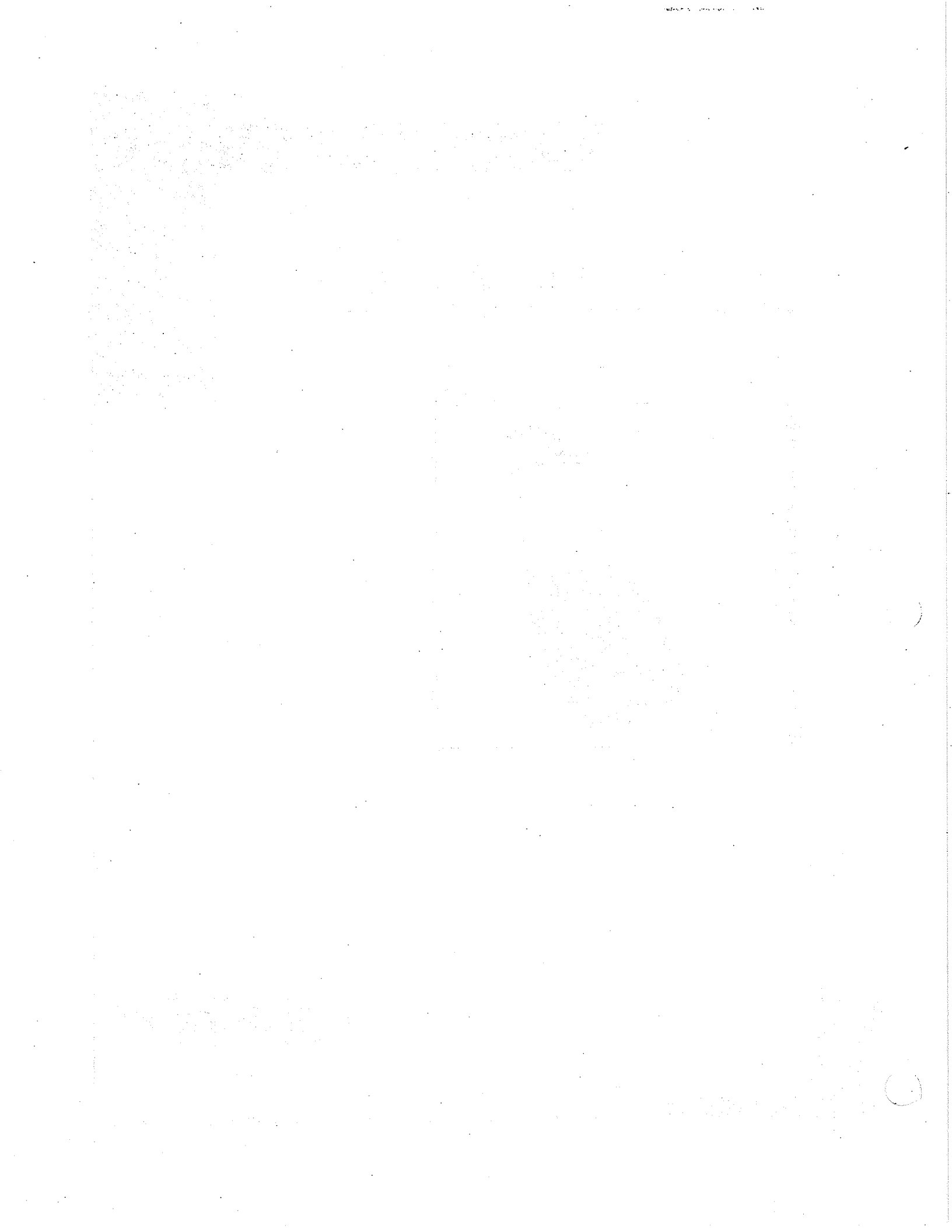
GS15 Grout Scrubber

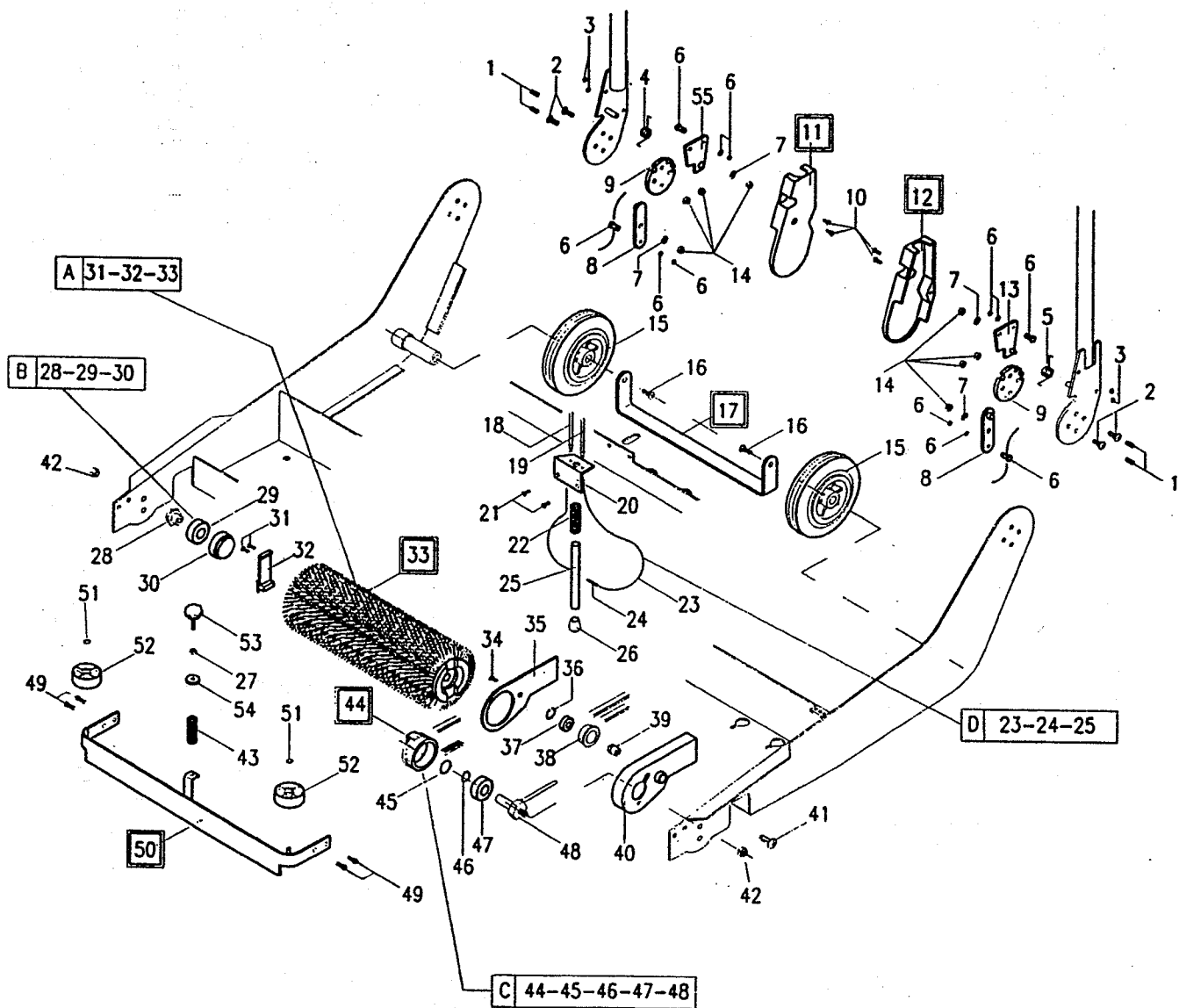
Parts Schematic

Item #89000



Better Resources. Better Results.
BETCO®

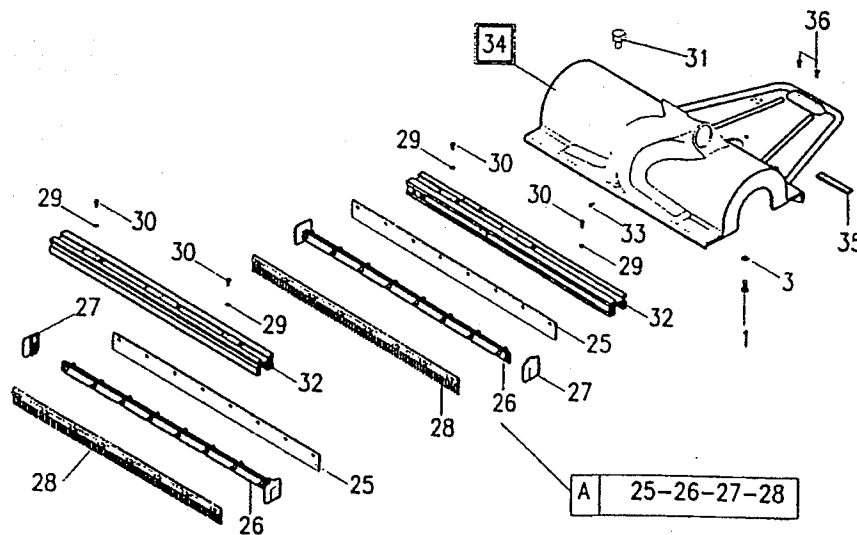
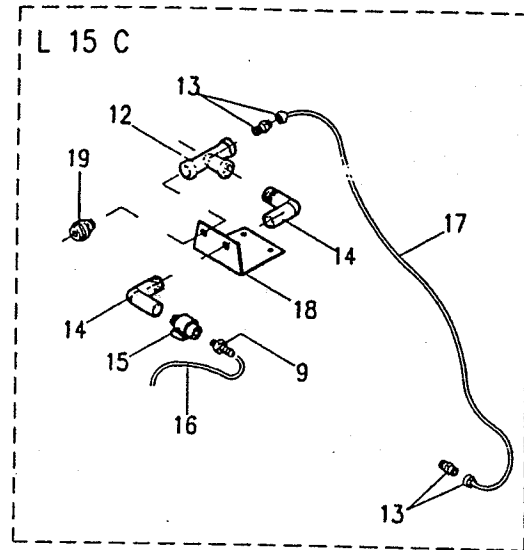
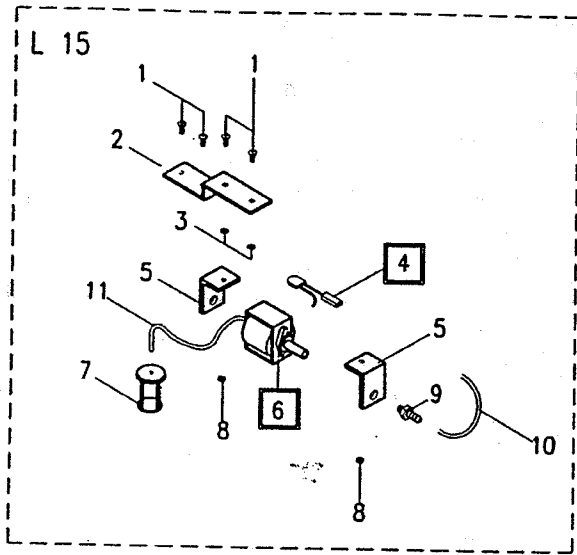




<i>Ref.</i>	<i>Part No.</i>	<i>Description</i>	<i>Qty.</i>
1.	1105606	Spring cotter, 4x16 din 1481	4
2.	1105182	Screw, iso 7380 6x22 zb	4
3.	1105121	Nut, uni 5588 M4	4
4.	22052006	Spring for right hand lever	1
5.	22052007	Spring for left hand	1
6.	1125027	Clamp micro	4
7.	1105786	Washer, uni 6592 6x18	4
8.	21902009	Lifting lever	2
9.	21302010	Gear wheel	2
10.	1105781	Screw uni 5933 4x12 zb	4
11.	21202009	Casing for the rh handle articulation	1
12.	21202010	Casing for the lh handle articulation	1
13.	21902005	Left hand articulation lever	1
14.	1105133	Locknut, M6 din 982	8
15.	22502031	Wheel Ø 150 - 40 - 70	2
16.	1105789	Screw, uni 5387 6x10	2
17.	22602016	Rear wheel axle support	1
18.	21252000	Lifting rod cable sheath, rh 1 865	1
19.	21252004	Sheath for the lifting rod cable, lh 1720	1
20.	22602011	Lifting bracket	1
21.	1105793	Self tapping screw, uni 6594 3.9x13	4
22.	22052011	Spring, Ø 16x72x2	1
23.	21252001	Cable for the lifting rod	1
24.	1105607	Spring cotter, 4x36 din 1481	1
25.	21002002	Machine lifting rod	1
26.	1320090	Cable cap, Ø 10	1
27.	1105123	Nut, uni 5588 M6	1
28.	22302012	Brush pin	1
29.	1390006	Bearing 6002 2RS	1
30.	21102017	Bushing for 6002 2RS bearing	1

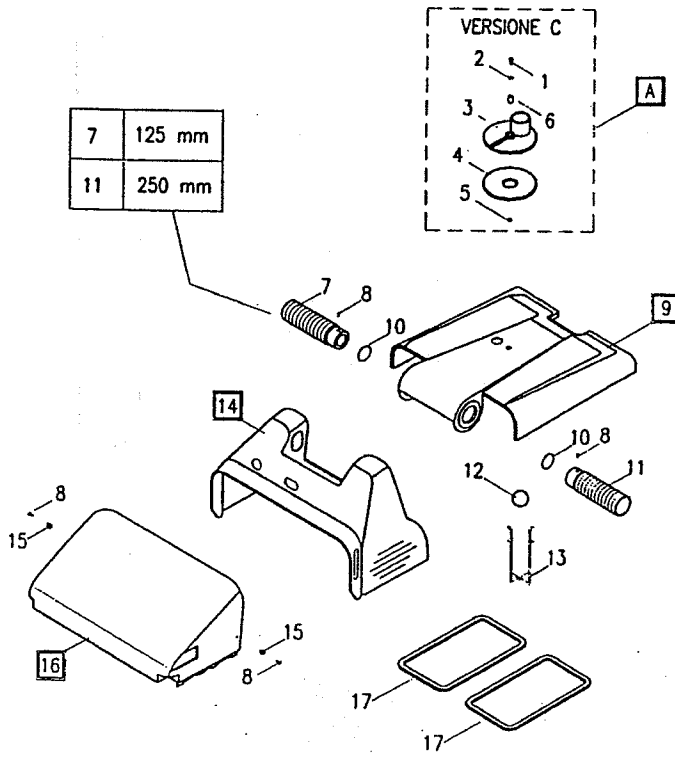
<i>Ref.</i>	<i>Part No.</i>	<i>Description</i>	<i>Qty.</i>
31.	1105794	Self tapping screw + uni 6954 3.9x16	2
32.	21902001	Brush hooking lever	1
33.	23502008	Brush, dia. 100x375 Nylon	1
	23502005	Brush, dia. 100x375 Natural brush	
	23502007	Brush, dia. 100x375 Tynex	
	23502009	Brush, dia. 100x490 Nylon	
	23502008	Brush, dia. 100x490 Natural brush	
	23502010	Brush, dia. 100x490 Tynex	
34.	1105493	Screw, TCTC 4x10 INOX	1
35.	21202011	Belt guard lock,	1
36.	1105701	Inner snap ring, din 472 Ø 22	1
37.	1390005	Bearing 608 2RS	1
38.	22502002	Belt tightening roller	1
39.	22302013	Pin for the belt tightening roller	1
40.	21202012	Belt guard	1
41.	1105234	Screw, iso 7380 6x10	1
42.	1105134	Self-locking screw, din 985 M8	2
43.	22052010	Compression spring CO-41	1
44.	22502000	Driven pulley	1
45.	1160056	Corteco gasket 12-22-5	1
46.	1105422	Outer snap ring, din 471 Ø 20	1
47.	1390025	Bearing 6004 2RS	1
48.	22302020	Pulley pin with copper pipe	1
49.	1105784	Screw, iso 7380 5x12	4
50.	25002002	Bumper	1
51.	1105768	Outer snap ring, din 471 Ø 7	2
52.	22502030	Wheel, dia. 40 x 17x8	2
53.	1320089	Handwheel Ø 25 M16x25	1
54.	21102016	Bushing for the squeegee adj. spring	1
55.	21902004	Right hand articulation lever	1

<i>Ref.</i>	<i>Part No.</i>	<i>Description</i>
A.	23102000	Brush, Ø 100x375 Nylon
	23102051	Brush, Ø 100x375 Natural brush
	23102052	Brush, Ø 100x375 Tynex
	23102053	Brush, Ø 100x490 Nylon
	23102054	Brush, Ø 100x490 Natural brush
	23102055	Brush, Ø 100x490 Tynex
B.	23102021	Complete brush pin
C.	23102020	Complete driven pulley
D.	23102069	Complete machine lifting rod



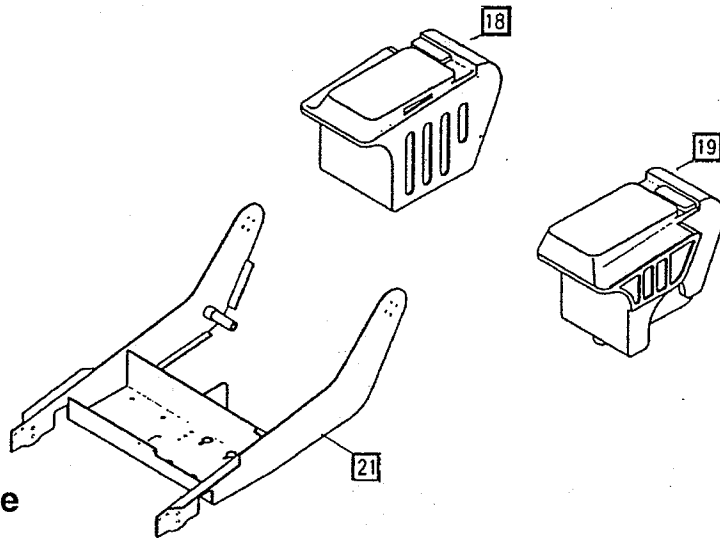
Ref.	Part No.	Description	Qty.
1.	1105494	Screw, 4x16 INOX	9
2.	22602010	Pump support bracket	1
3.	1108807	Washer, uni 6593 4x16	11
4.	13802018	Thermal protection for pump	1
5.	22602017	Pump vibration damping support	2
6.	14002001	Solution pump, 115V	1
7.	25002005	Filter for solution,	1
8.	1105121	Nut, uni 5588 M4	2
9.	1255003	1/8" hose fitting	1
10.	25002032	Supplementary pipe	1
11.	25002024	Pipe for solution	1
12.	1255010	1/8" FFF union tee	1
13.	1255009	Straight male pipe fitting, 8x6 1/8"	2
14.	1255007	1/8" MF union elbow	2
15.	1320088	Mini 1/8" ball valve	1
16.	25002009	Water pipe for brush	1
17.	25002010	Supplementary pipe	1
18.	22602012	Accessory support bracket	1
19.	1255025N	1/8" small coupling	1

Ref.	Part No.	Description	Qty.
20.	1255028	1/8" 6x8 union elbow	1
21.	1255034	1/4" 6x8 union elbow	1
22.	25002023	Supplementary pipe	1
23.	25002022	Water pipe for brush	1
25.	21602000	Wiper blade	2
26.	22602000	Blade support	2
27.	22602001	Squeegee cap	2
28.	21602001	Wiper blade	2
29.	1105330	Washer, uni 6593 4x12	9
30.	1105353	Self tapping screw + uni 6954 3.5 x 19	4
31.	21652001	Guide for the squeegee adjustment spring	1
32.	22602008	Squeegee pad support	2
33.	1105500	Screw, uni 5931 5x12	1
34.	21202040	Suction shute	1
35.	22602018	Fixing bracket	1
36.	1105784	Screw, iso 7380 5x12	2
A.	23102023	Complete KIT squeegee	



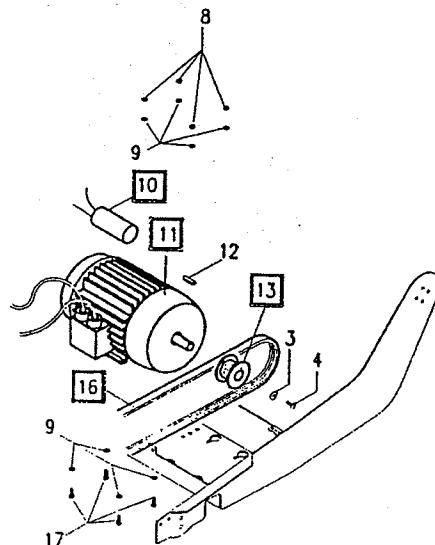
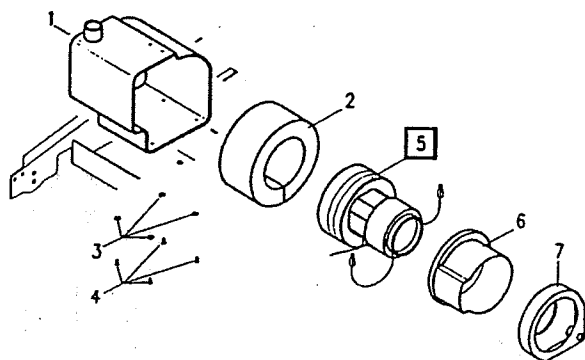
Ref.	Part No.	Description	Qty.
1.	1105802	Screw, TCTC 4x30 INOX	1
2.	1105330	Washer, uni 6593 4x12 INOX	1
3.	21202039	Suction accessory connection	1
4.	21602009	Gasket for accessory connection	1
5.	1105806	M4 split threaded rivet	1
6.	21102023	Bushing	1
7.	25002008	FLEX pipe, 120 mm	1
8.	1105793	Self tapping screw 3.9 x 13	4
9.	*	Cover	1
10.	1160048	3137 O-ring	2
11.	25002007	FLEX pipe, 250 mm	1
12.	25002004	Ball for float	1
13.	25002003	Cage for float	1
14.	*	Bonnet	1
15.	21602013	Rubber pad for bin	2
16.	*	Drawer	1
17.	23102001	Mousse kit for tank	1
18.	*	Recycling tank	1
19.	*	Solvent tank	1
20.	*	Accessory; tank	1
21.	*	Frame	1

* refer to Code Table, below

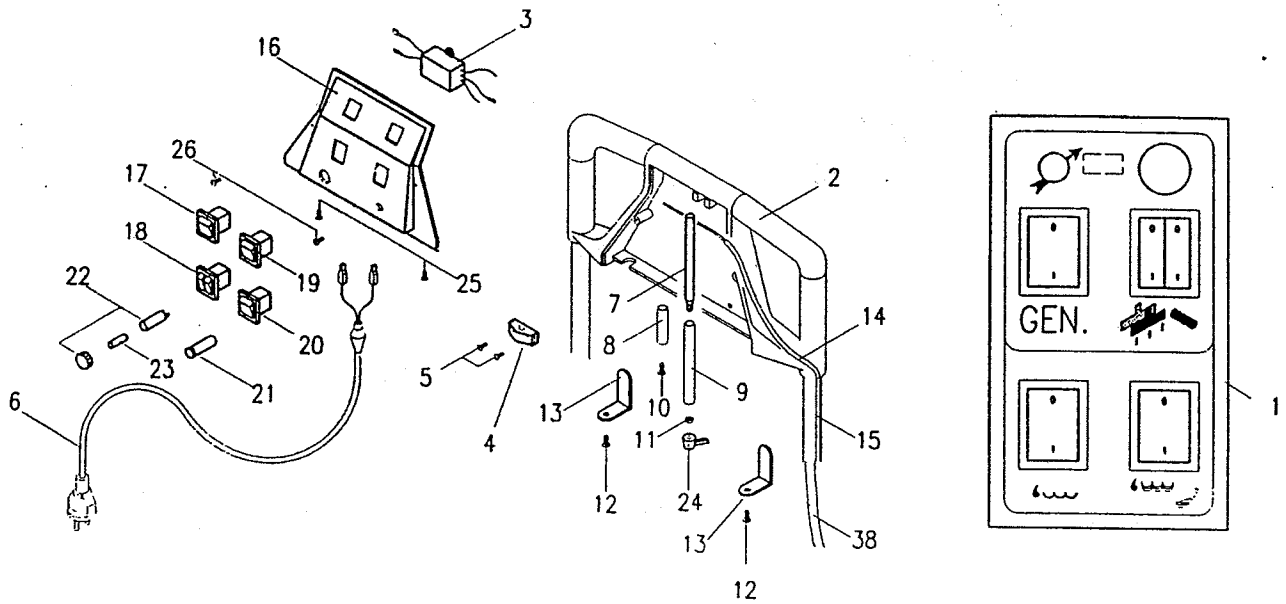


Code Table

Ref.	Description	PN: Red	PN: Blue	PN: Grey	PN: Lt. Blue
9.	Cover	21202058	21202062	21202060	21202059
	Cover complete	23102035	23102039	23102036	23102037
	Cover - L15C	21202071	21202068	21202072	21202067
	Cover complete - L15C	23102135	23102139	23102136	23102137
14.	Bonnet	21202045	21202049	21202048	21202046
	Bonnet - L15C	21202139	21202142	21202140	21202141
16.	Drawer	21202075	21202078	21202076	21202077
	Drawer complete	23102030	23102034	23102031	23102032
18.	Recycling tank	21202050	21202054		
19.	Solvent tank	21202051	21202055		
20.	Accessory tank	21202090	21202092		
21.	Frame		22702006	22702007	



Ref.	Part No.	Description	Qty.
1.	23102005	Suction box	1
2.	21602010	MAPPYSIL deadening gasket	1
3.	1105807	Washer, uni 6592 4x16	5
4.	1105494	Screw, 4x16 INOX	4
5.	13402003	Vacuum motor	1
6.	21202088	Motor guard	1
7.	21202043	Motor cooling manifold	1
8.	1105123	Nut, uni 5588 M6	4
9.	1105324	Washer, uni 6593 6x18	8
10.	13802017	Capacitor 16pF	1
11.	13402002	Motor, 110 V	1
12.	1105465	Key, uni 6604 5x5x10	1
13.	22502021	Drive pulley	1
14.	1105064	Screw, TE 8x30	4
15.	1105326	Washer, uni 6593 8x24	8
16.	13302000	Poly belt, 558 4J	1
17.	1105779	Screw, uni 5739 6x25	4
18.	1105784	Screw, iso 7380 5x12	2
19.	21202138	Cooling air conveyor	1
22.	1105497	Screw, 5x16 INOX	4
23.	21202137	Suction compartment cover	1
24.	1105134	Lock nut, M8 din 982	4



Ref.	Part No.	Description	Qty.
1.	169112008	Dashboard label	1
2.	222002005	Black handle	1
3.	13802015	Filter	1
4.	13802008	Core hitch, PA 238 RO	1
5.	1105805	Screw, 3.5 x 14.5	2
6.	21802005	Power supply cord with plug	1
7.	22302011	Handle release pin	1
8.	21102018	Handle release lever stop bushing	1
9.	21252005	Sheath for the release pin	1
10.	1105787	Self tapping screw, uni 6954 3.9x32	1
11.	1105123	Nut, uni5588 M6	2
12.	1105793	Self tapping screw, uni 6594 3.9x13	4
13.	22602015	Cable fixing bracket	2
14.	21252003	Handle release cable	1

Ref.	Part No.	Description	Qty.
15.	21252006	Sheath for the left handle cable	1
16.	21202100	Dashboard	1
17.	13802003	Bipolar switch with orange light	1
18.	13802005	Bipolar switch with double red-green light	1
19.	13802006	Bipolar switch with orange light	1
20.	13802004	Bipolar switch with green light	1
21.	21802013	Bulb cover with bulb	1
22.	13802014	Fuse carrier, 6x32	1
23.	13802025	Fuse, 20A 230V 6x32	1
24.	1190016	Handle release Lever	1
25.	1105792	Self tapping screw, uni 6954 3.9x9.5	2
26.	1105803	Screw M4x45	2